

ENEZIA

SHOWER MIXER WITH DIVERTER

CODE: JTV605xx.UB

FEATURES

- Functional wall mounted design
- Thin pin style mixer lever
- Universal Durable DZR brass construction
- Range of attractive finishes available
- Matching shower accessories available



SELECTION MODELS

IN WALL BODY	COLOUR	TRIM KIT	TRIM KIT IMAGE	FULL KIT CODE	FULL KIT
	Chrome	JTVTK605CH		JTV605CH.UB	
	Matte black	JTVTK605EMB		JTV605EMB.UB	
	Gunmetal	JTVTK605EGM		JTV605EGM.UB	
	Brushed Brass	JTVTK605PBB		JTV605PBB.UB	
	Brushed Nickel II	JTVTK605PBN2		JTV605PBN2.UB	

PRODUCT DIMENSIONS (MM)

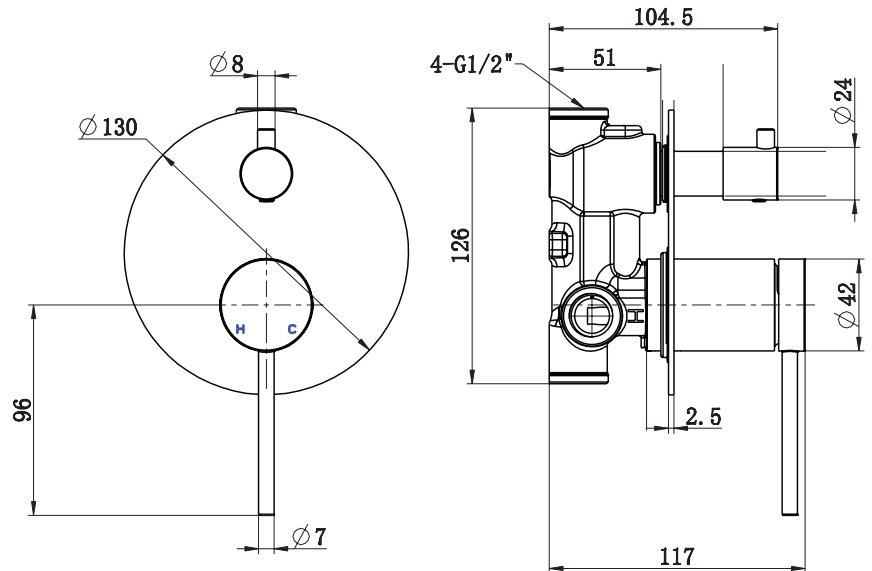
WARRANTY

Tapware 20 year replacement

-For full T&Cs visit at www.johnsonsuiss.com.au



W
AS3718:2021
WMKA25013



TECHNICAL DETAILS

- Operating pressure 150-500kPa
- Operating temperature 5-80°C
- 25mm ceramic disc
- Hose connections 1/2" F BSP

TECHNICAL DATA SHEET

SUPERSEDES ALL PREVIOUS ISSUES

All dimensions are in millimetres and are subject to normal manufacturing variation.
As product development is ongoing BPA reserves the right to vary specifications without notice.
Bathroom Products Australia Pty Ltd ABN 87 079 297 617

JohnsonSuisse
Bathroom Solutions

2/97 Banksia St.,
Botany, NSW 2019

TEL: 1300 717 717
www.johnsonsuiss.com.au