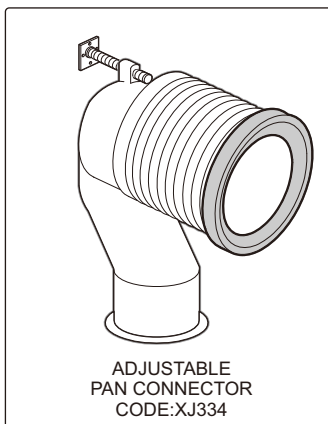
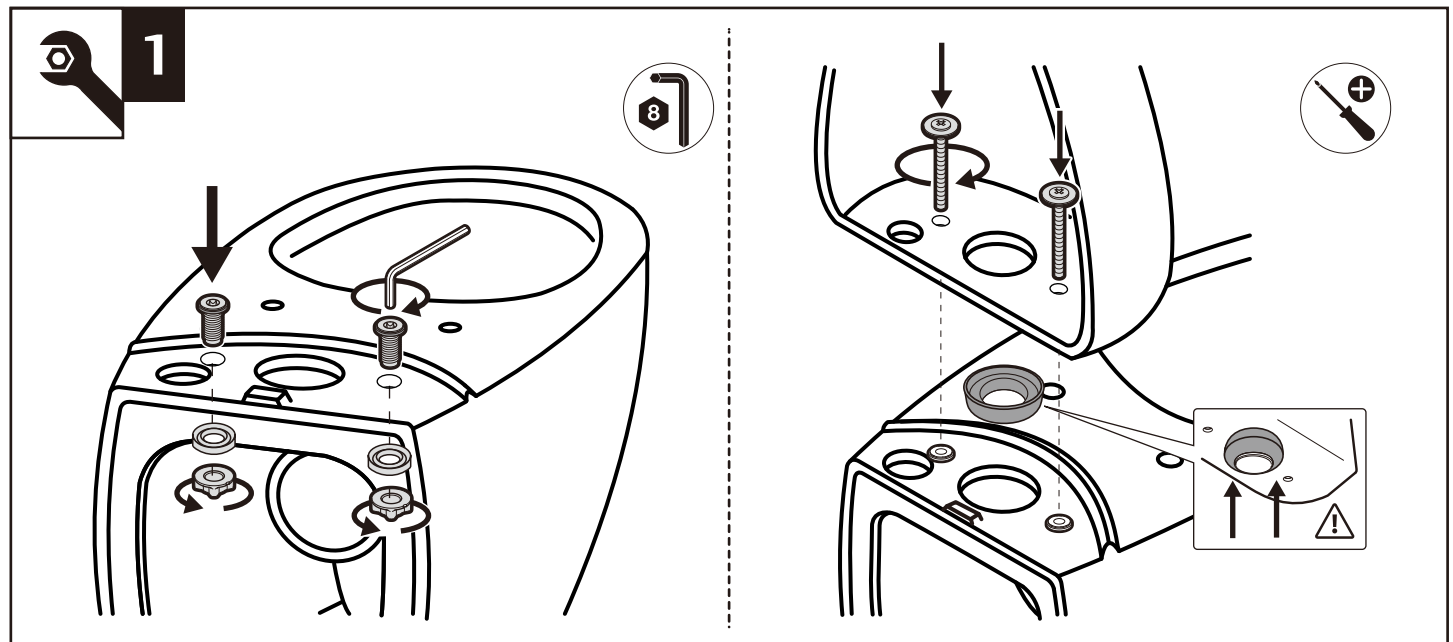
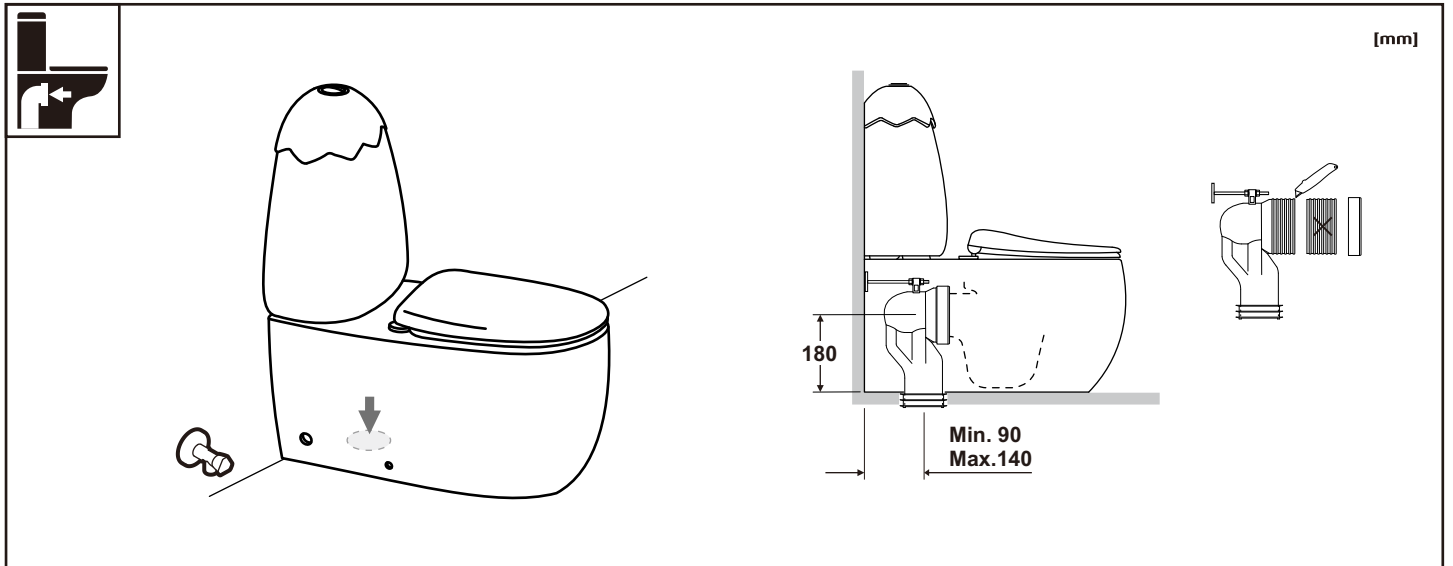
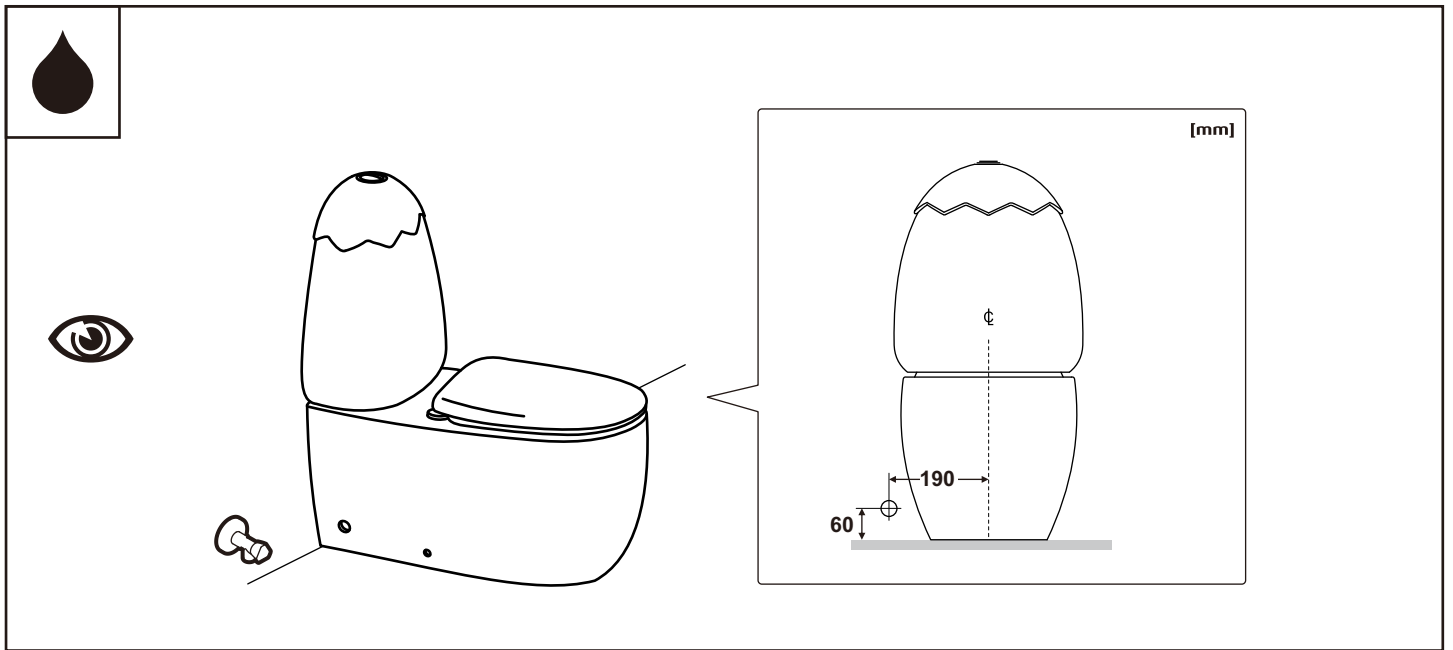


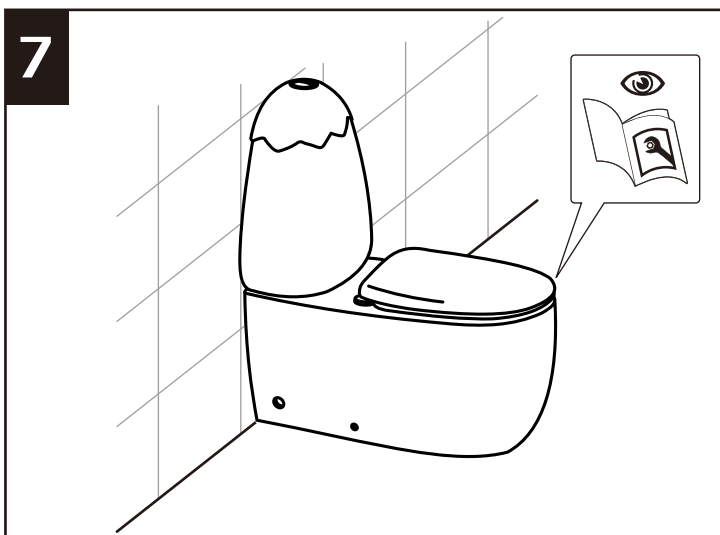
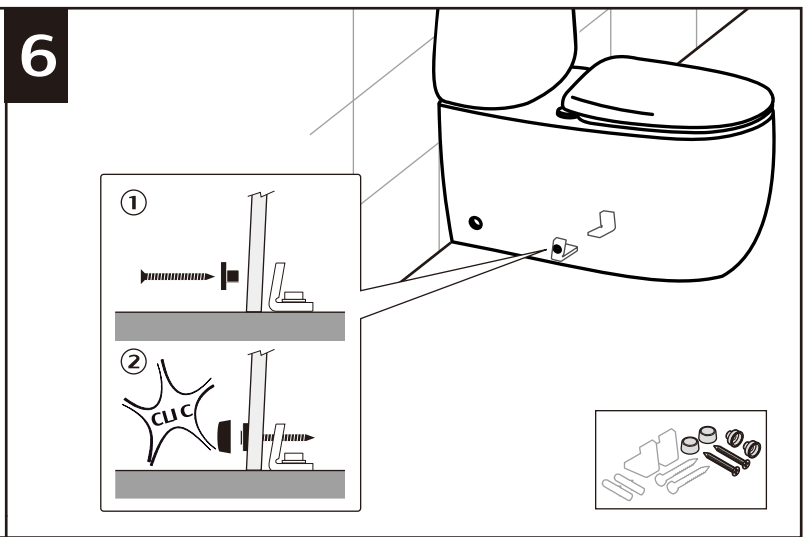
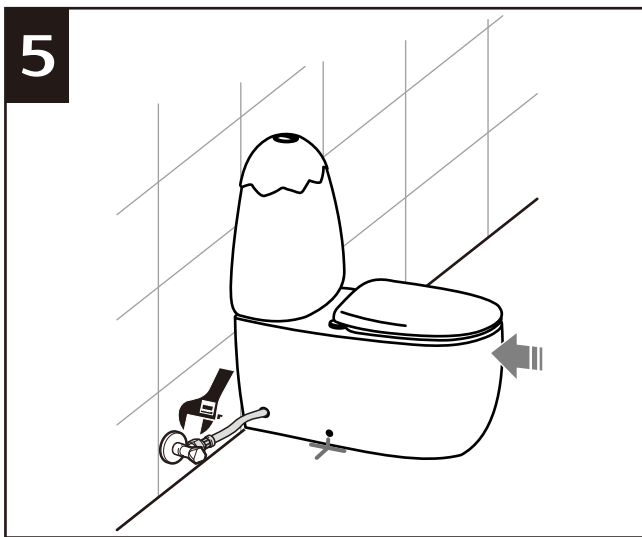
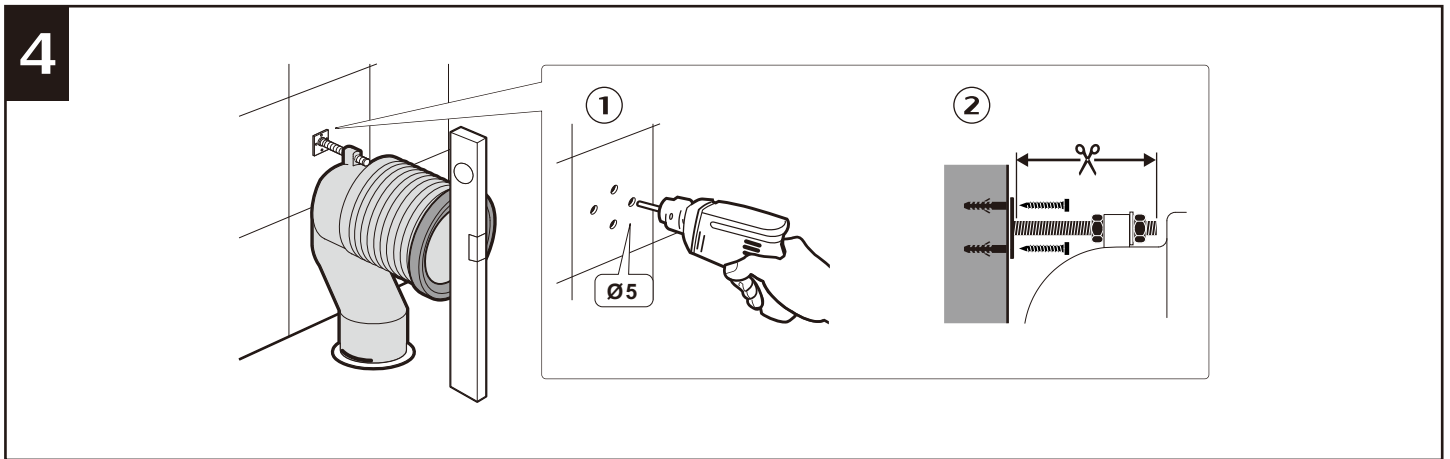
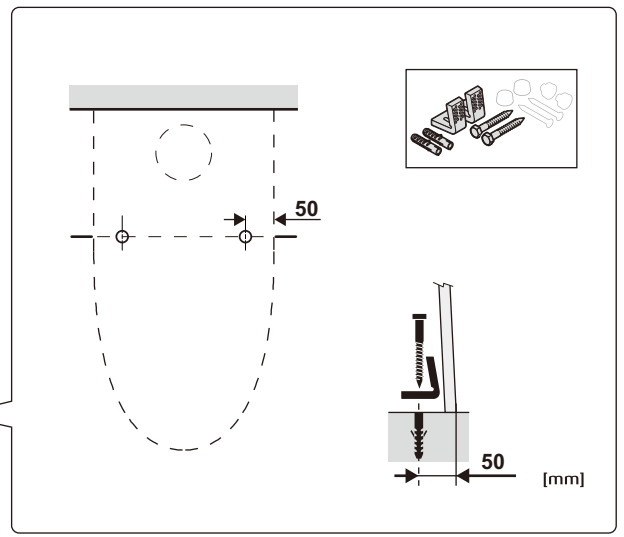
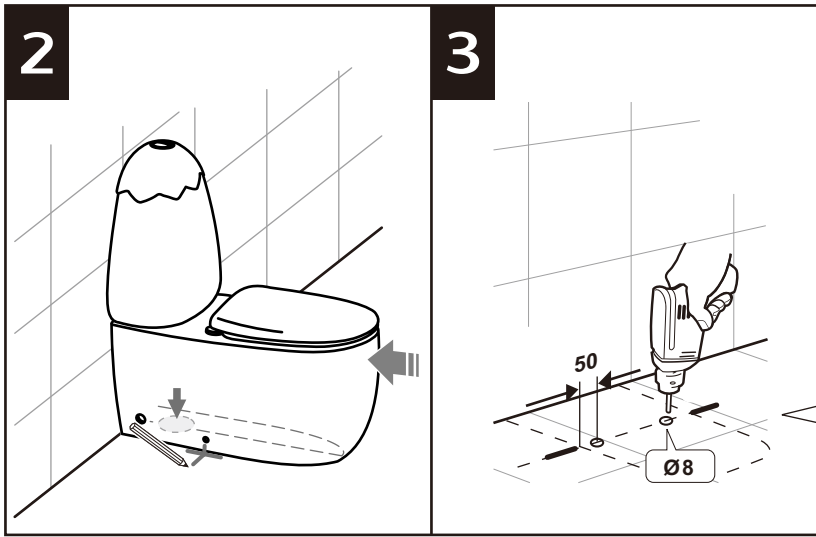


EGG JUNIOR II CHILDRENS TOILET

INSTALLATION INSTRUCTIONS







Installation should be carried out by a licensed plumber in compliance with the Plumbing Code of Australia and any State or LGA requirements

VALVE SERVICE

INLET VALVE SERVICE

1. Major water level adjustment

<p>1</p> <p>Remove the body locking clip</p>	<p>2</p> <p>Twist valve body anticlockwise to release. Slide up/down to desired position and twist back to lock.</p>	<p>3</p> <p>Replace the body locking clip</p>
--	--	---

WARNING

DO NOT USE CHLORINE/CHEMICAL SANITISERS IN THE CISTERN TANK. SUCH USE MAY RESULT IN DAMAGE TO TANK COMPONENTS AND WILL VOID THE PRODUCT WARRANTY

2. Minor water level adjustment

<p>1</p> <p>Unlock the float cup and slide up or down to the new position</p>	<p>2</p> <p>Float adjustment</p> <p>With a screwdriver adjust the float - the top of the float(A) should be 2-4mm below the level of the top of the float cup(B)</p>	<p>3</p> <p>Relock the float cup</p>
---	--	--------------------------------------

3. Cleaning the valve diaphragm

It is possible for dirt/debris to prevent the valve shutting off. To remedy this the diaphragm may be cleaned as follows:

1. Remove the cover cap
2. Unclip the float arm from the adjustment screw
3. Twist the plastic top-assembly firmly anti-clockwise and remove it from the valve body
4. Inspect both rubber diaphragm and valve seat. Rinse under running water to remove dirt/debris
5. Re assemble in reverse order

OUTLET VALVE SERVICE

Removal

Valve may be removed for service - twist to unlock

Assembly

Capnut must be hand tightened to correctly seal flush pipe

Push button rod settings

Button rods must be just clear of the valve pads

Button rods can be adjusted by screwing up or down

Ensure that buttons match valve pads

Half flush Full flush

Half flush adjustment

Half flush volume can be adjusted by moving the side float up or down. Moving the float DOWN increases the half flush. Moving the float UP decreases the half flush

Full flush adjustment

The full flush volume can be adjusted by changing the residual water level in the cistern. Move the adjuster DOWN to increase the volume. Move the adjuster UP to decrease the volume.