

# PLUG AND WASTE

## 40mm POP-DOWN BATH WASTE

CODE: PW8xxx

### FEATURES

- Suitable for baths designed for 40mm waste fittings with overflow
- Adjustable flexible outlet to suit a wide range of installations
- Integrated pop-down plug
- Durable brass construction with a variety of finishes available
- DN40 waste connection

### MODELS

DN40 pop-down bath waste	Chrome	PW8
	Matte black	PW8B
	Gunmetal	PW8PGM
	Brushed brass	PW8PBB
	Brushed nickel	PW8PBN



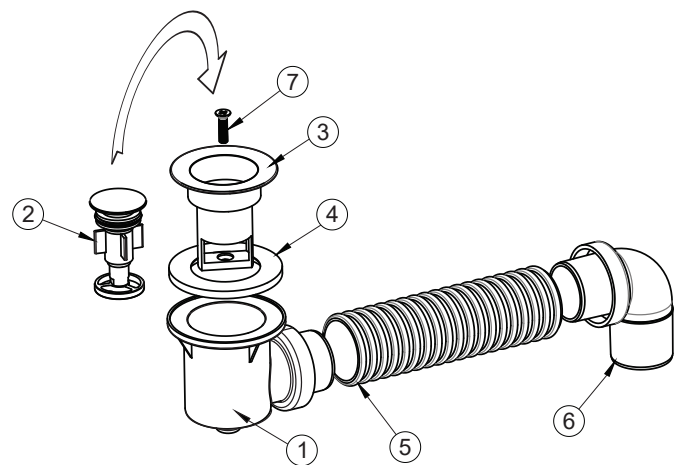
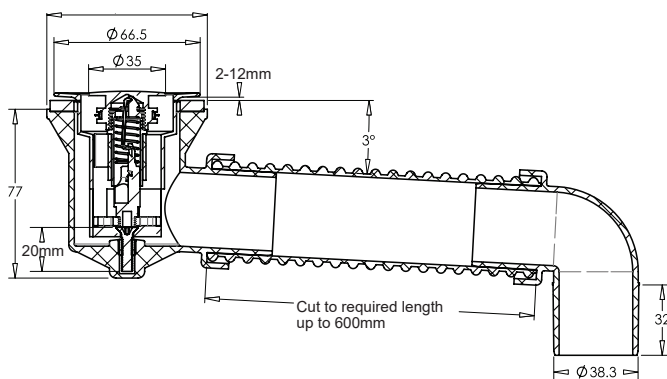
### WARRANTY

Wastes 1 year replacement

-refer to T&Cs at [www.johnsonsuiss.com.au](http://www.johnsonsuiss.com.au)

### GENERAL ARRANGEMENT

### PRODUCT DIMENSIONS



ITEM	DESCRIPTION
1	Pop-down outer body
2	Inner seal assembly
3	Pop-down inner body
4	Double seal
5	Flexible connector
6	Waste outlet elbow
7	SS Screw M5 x 20



## TECHNICAL DATA SHEET

SUPERSEDES ALL PREVIOUS ISSUES

All dimensions are in millimetres and are subject to normal manufacturing variation.  
As product development is ongoing BPA reserves the right to vary specifications without notice.  
Bathroom Products Australia Pty Ltd ABN 87 079 297 617

**JohnsonSuisse**  
Bathroom Solutions

2/97 Banksia St.,  
Botany, NSW 2019  
TEL: 1300 717 717

[www.johnsonsuiss.com.au](http://www.johnsonsuiss.com.au)  
0324