

FREESTANDING BATH FILLER

CODE: JTV14xxx

FEATURES

- Minimalistic design with thin pin lever mixing handle
- Floor mounted for island bath installations
- Durable DZR brass construction
- Simple, secure fixing system
- Range of attractive finishes available
- Other matching bathroom components available

MODELS

Venezia freestanding bath filler	Chrome	JTV14CH
	Matte black	JTV14EMB
	Gunmetal	JTV14EGM
	Brushed brass	JTV14PBB
	Brushed nickel	JTV14PBN



WARRANTY

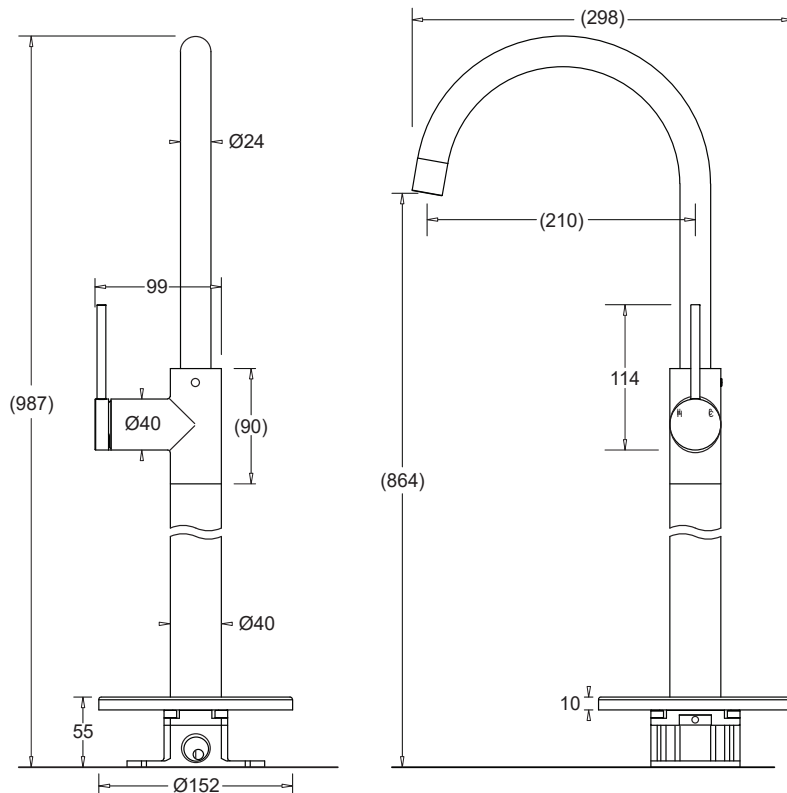
Tapware 20 year replacement
-refer to T&Cs at www.johnsonsisuisse.com.au



PRODUCT DIMENSIONS

TECHNICAL DETAIL

- Operating Pressure 150-500kPa
- Operating Temperature 1-75°C
- 35mm ceramic disc cartridge
- Flexihose connections 1/2" F BSP



TECHNICAL DATA SHEET

SUPERSEDES ALL PREVIOUS ISSUES

All dimensions are in millimetres and are subject to normal manufacturing variation.
As product development is ongoing BPA reserves the right to vary specifications without notice.
Bathroom Products Australia Pty Ltd ABN 87 079 297 617

JohnsonSuisse
Bathroom Solutions

2/97 Banksia St.,
Botany, NSW 2019
TEL: 1300 717 717

www.johnsonsisuisse.com.au