

LIFE_{ASSIST}

FLUSH TO WALL RIMLESS SPECIAL NEEDS TOILET SUITE

CODE:
JTTLA401.J2750SNx

FEATURES

- Flush to wall vitreous china suite designed for Special Needs applications
- Extended projection WC pan for wheelchair side access - AS1428.1:2021 compliant.
- Rimless bowl design for hygienic flushing
- Cistern with concealed back entry water inlet
- Raised flush buttons (blue) for ease of operation
- Special Needs seat (Blue or Grey) with lateral stabilisers - White seat available for non-Special Needs use
- Variable S Trap pan connector (100-300 set out)



COMPONENTS

LIFE _{ASSIST} BTW pan		JTTLA401	
LIFE _{ASSIST} cistern		J2750SNx	
Assist+ toilet seat	Blue	OR	RB6044B
	Grey		RB6044G
	White		RB6044W
Variable pan connector		X011H	

WARRANTY

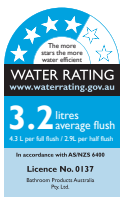
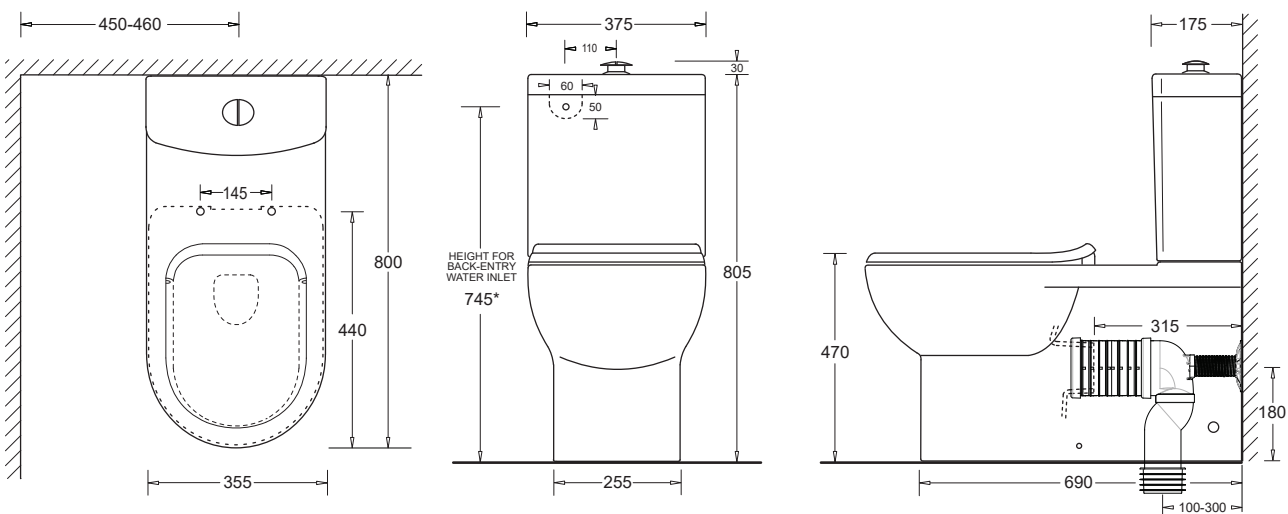
Vitreous china 25 year replacement
Toilet seat 5 year replacement
-refer to T&Cs at www.johnsonsuiss.com.au



Special Note:

For compliance with AS1428.1:2021 the seat is available in grey or blue colour to provide contrast for vision impaired individuals. The seat also has lateral stabilisers fitted for people with ambulatory limitations and there is no seat lid. Note that the design of the installation must comply with AS1428.1:2021 -Design for access and mobility

PRODUCT DIMENSIONS



TECHNICAL DATA SHEET

SUPERSEDES ALL PREVIOUS ISSUES

All dimensions are in millimetres and are subject to normal manufacturing variation. As product development is ongoing BPA reserves the right to vary specifications without notice. Bathroom Products Australia Pty Ltd ABN 87 079 297 617