

## FLUSH TO WALL RIMLESS SPECIAL NEEDS TOILET SUITE

CODE:

Blue seat	JTTG335.JTTG336.15B
Grey seat	JTTG335.JTTG336.15G
White seat	JTTG335.JTTG336.15W

### FEATURES

- Flush to wall suite designed for Special Needs applications - AS1428.1 compliant.
- Rimless bowl design with antimicrobial nano glaze for hygienic flushing.
- Soft-close Special Needs seat (Blue or Grey) with lateral stabilisers - White seat available for non-Special Needs use.
- Raised chrome flush button for ease of operation
- Cistern with concealed back entry water inlet
- Variable S Trap pan connector (100-300 set out)
- WELS 4 Star, 4.3/2.9L (3.2L average flush) L06803

### COMPONENTS

GEMELLI <sup>CARE</sup> rimless flush to wall pan		JTTG335	
GEMELLI <sup>CARE</sup> cistern		JTTG336	
Assist toilet seat	Blue	OR	RB6015B
	Grey		RB6015G
	White		RB6015W
Variable pan connector		X011H	



### OPTIONAL

Raised flush button- Blue

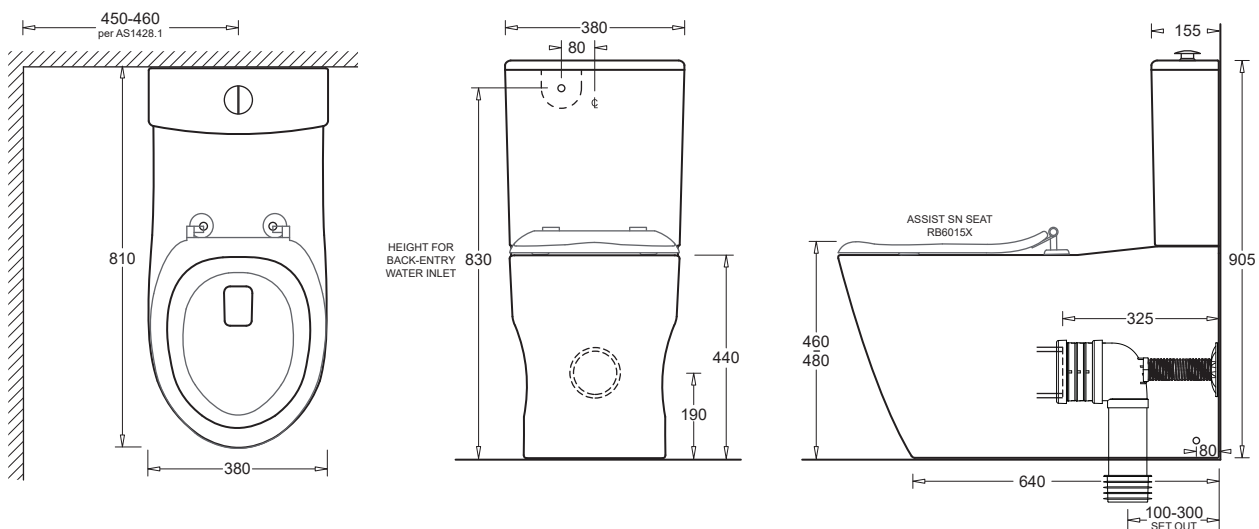
RA3631B

### WARRANTY

Vitreous china 25 years replacement  
-refer to T&Cs at [www.johnsonsisuisse.com.au](http://www.johnsonsisuisse.com.au)



### PRODUCT DIMENSIONS



### TECHNICAL DATA SHEET

SUPERSEDES ALL PREVIOUS ISSUES

All dimensions are in millimetres and are subject to normal manufacturing variation. As product development is ongoing BPA reserves the right to vary specifications without notice.

Bathroom Products Australia P/L ABN 87 079 297 617  
0623