

LISTO SMART SHOWER TOILET

FEATURES

- Smart Shower Toilet - rimless vitreous china WC
- Frontal and rear shower cleansing functions - adjustable positioning, temperature and pressure
- Comfort drying function - adjustable temperature
- Incorporates a High Hazard Backflow Prevention device in compliance with AS 2845.2 (1996 & 2010) and AS/NZS 3500.1.
No additional RPZ valve is required
- Automatic nozzle cleaning function

CODE: JSTL400

COMPONENTS

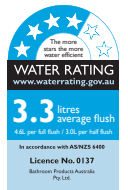
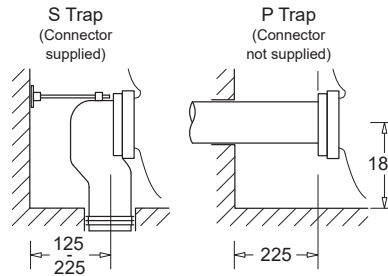
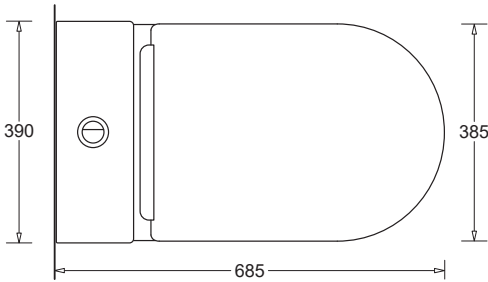
Listo Smart shower toilet - WC Pan	JSTL400
Listo Smart shower toilet - Cistern	
Includes - Remote, Shower bidet seat, Installation accessories	

WARRANTY

Vitreous china - 25 years replacement
Toilet seat and electrical - 1 year replacement
-refer to T&Cs at www.johnsonsuiss.com.au



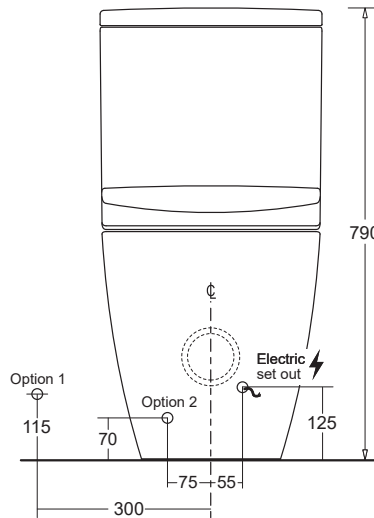
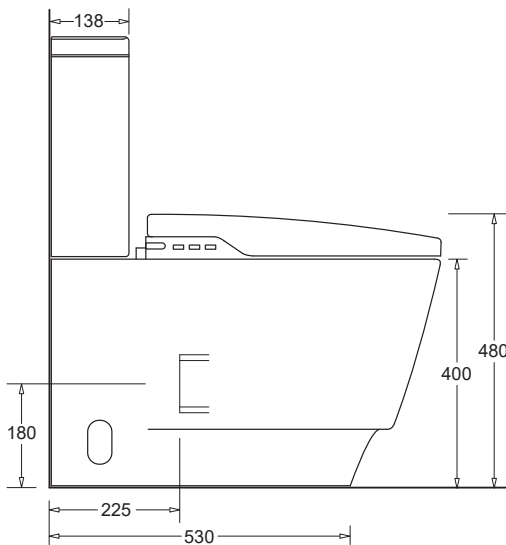
PRODUCT DIMENSIONS and SET OUT



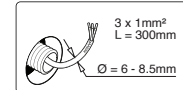
W
AS1172.1/2:2014
WMKA02321

Operating environment:
Water pressure 150-500kPa
Power supply 240V/50Hz - 1700W max.
Weight 55kg

Cleaning recommendations:
Use soapy water or detergent based cleaners.
DO NOT USE ABRASIVE OR BLEACH/CHLORINE BASED CLEANERS.



Electrical supply:



Water inlet:
Option 1 - external water supply
Option 2 - concealed water supply

Note: For concealed water supply the water and electric connections can be located on the left or right side of the centre line but they both cannot be on the same side of the centre-line

TECHNICAL DATA SHEET

SUPERSEDES ALL PREVIOUS ISSUES

All dimensions are in millimetres and are subject to normal manufacturing variation.
As product development is ongoing BPA reserves the right to vary specifications without notice.
Bathroom Products Australia Pty Ltd ABN 87 079 297 617