

VENEZIA

BACK TO WALL ACRYLIC BATH

CODE:JBBTW1xx

FEATURES

- Fashionable European styling in durable gloss-white sanitary grade acrylic
- One side fits flush to the wall
- Available in two sizes
- 40mm pop-up dome waste with overflow (PW10)
- Optional pop-down dome waste available in 5 attractive finishes
- Easy installation with concealed adjustable legs



MODELS

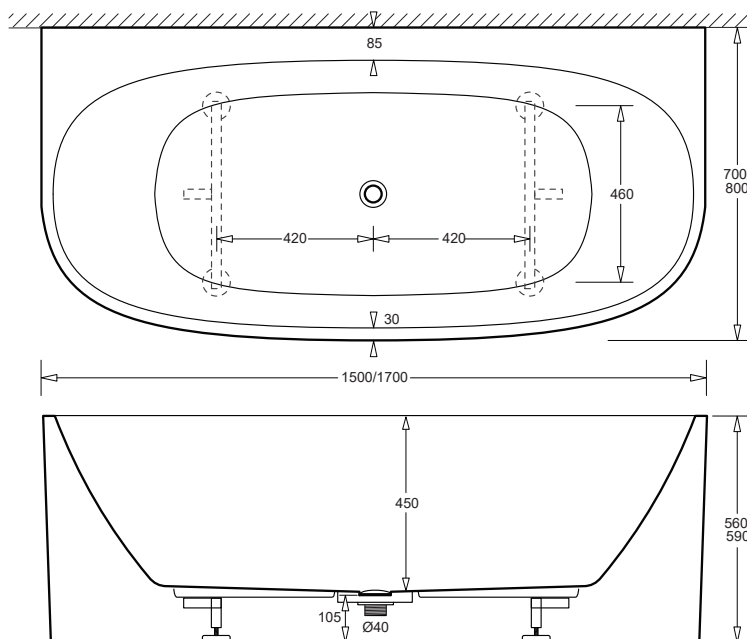
	Size	Code
Venezia wall faced acrylic bath	1500 x 700 x 590	JBBTW150
	1700 x 800 x 560	JBBTW170

OPTIONAL COMPONENTS

40mm pop-down waste	Chrome	PW8
	Matte black	PW8B
	Gunmetal	PW8PGM
	Brushed brass	PW8PBB
	Brushed nickel	PW8PBN

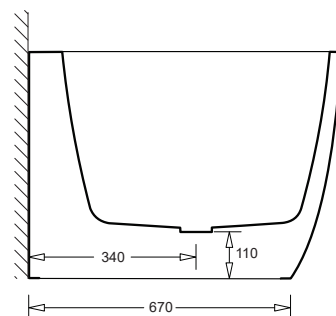
WARRANTY

Acrylic baths 15 year replacement
-refer to T&Cs at www.johnsonsuiss.com.au



PRODUCT DIMENSIONS

	L x W x H mm	CAPACITY L
JBBTW150	1500x700x590	240
JBBTW170	1700x800x560	270



TECHNICAL DATA SHEET

SUPERSEDES ALL PREVIOUS ISSUES

All dimensions are in millimetres and are subject to normal manufacturing variation.
As product development is ongoing BPA reserves the right to vary specifications without notice.
Bathroom Products Australia Pty Ltd ABN 87 079 297 617

JohnsonSuisse
Bathroom Solutions

2/97 Banksia St.,
Botany, NSW 2019
TEL: 1300 717 717

www.johnsonsuiss.com.au
0224