

# ULTRA COMPACT

## 1050 SHOWER BATH

CODE:J5050

### FEATURES

- Pressed steel bath designed and manufactured in Europe
- Compact size is ideal for smaller spaces
- Tough, durable vitreous enamel finish
- Design incorporates a built-in seat for comfort and safe seating for children and people with disabilities
- Suitable for domestic or commercial installations
- Larger 1200 model also available
- Optional screw-adjustable support legs
- Bath volume ±80L



### MODELS

	Size	Code
Ultra Compact shower bath	1050 x x 370	J5050

### MODELS

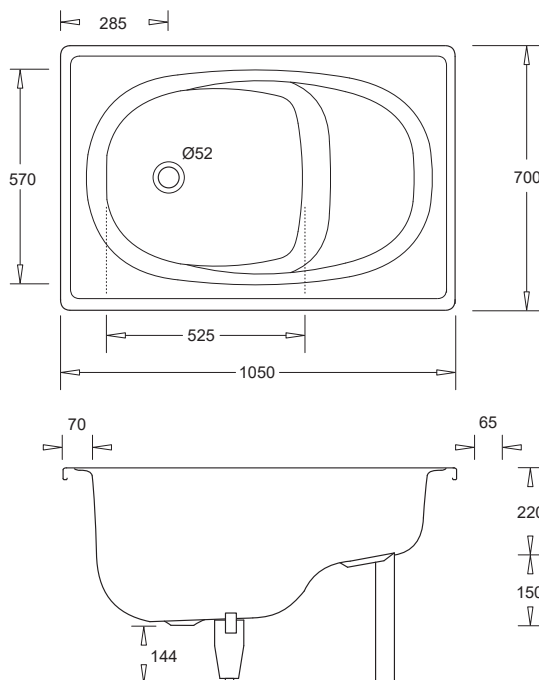
Screw-adjustable leg set	J5051
--------------------------	-------

### WARRANTY

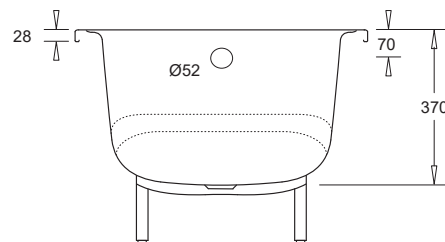
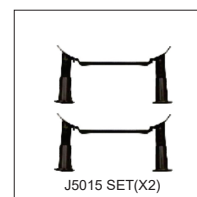
Steel baths 10 year replacement  
-refer to T&Cs at [www.johnsonsuiss.com.au](http://www.johnsonsuiss.com.au)



### PRODUCT DIMENSIONS



OPTIONAL SCREW-ADJUSTABLE LEGS



### TECHNICAL DATA SHEET

SUPERSEDES ALL PREVIOUS ISSUES

All dimensions are in millimetres and are subject to normal manufacturing variation.  
As product development is ongoing BPA reserves the right to vary specifications without notice.  
Bathroom Products Australia Pty Ltd ABN 87 079 297 617