

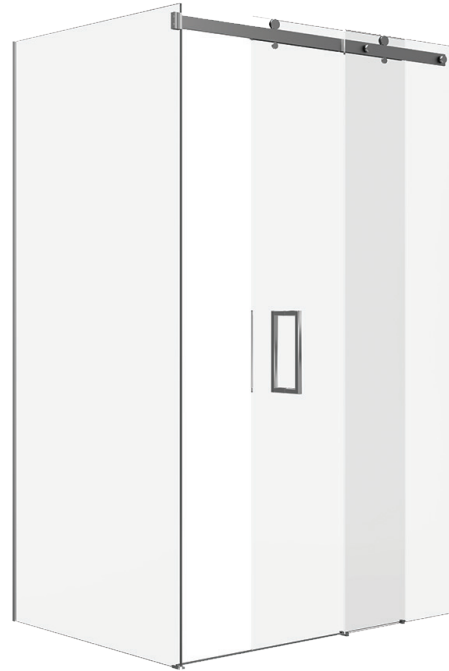
# barossa slider

## SEMI-FRAMELESS SHOWER SCREEN

CODE: SSBAxxCHCLP  
SSBAxxMBCLP

### FEATURES

- Contemporary semi-frameless shower screen with return panel
- Slim design with space saving sliding door
- Fully reversible to suit most installations
- Chrome or Matte Black trim finish
- Screen height 2000mm
- 8mm toughened glass panels (AS/NZS2208)
- Easy to clean Enduroshield® treated glass
- Suits tiled floors and shower bases (Flinders SMC, Daintree and Barossa)
- Front panel sets can be alcove fitted



### COMPONENTS

Barossa Slider 1200 front panel set	Chrome	SSBA34CHCLS
	Matte Black	SSBA34MBCLS
Barossa Slider 1500 front panel set	Chrome	SSBA37CHCLS
Barossa Slider 900 return panel set	Chrome	SSBA26CHCLR
	Matte Black	SSBA26MBCLR

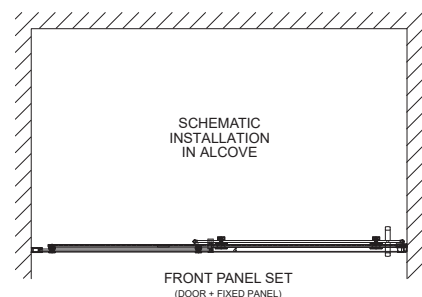
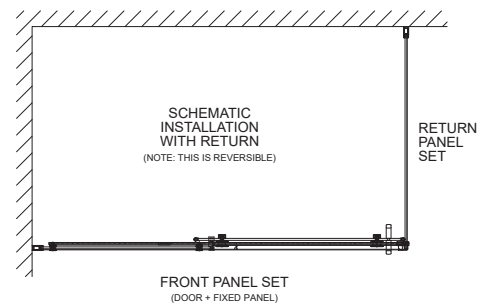
### WARRANTY

10 years replacement  
-refer to T&Cs at [www.johnsonsuiss.com.au](http://www.johnsonsuiss.com.au)



### BAROSSA PANEL DIMENSIONS

Model	Code	With return		Alcove only	
		min.	max.	min.	max.
Barossa Slider 1200 front panel set	SSBA34CHCLS	1170	1195	1155	1180
	SSBA34MBCLS				
Barossa Slider 1500 front panel set	SSBA37CHCLS	1450	1475	1435	1460
Barossa Slider return panel set	SSBA26CHCLR	860	885	-	-
	SSBA26MBCLR				



## TECHNICAL DATA SHEET

SUPERSEDES ALL PREVIOUS ISSUES

All dimensions are in millimetres and are subject to normal manufacturing variation. As product development is ongoing BPA reserves the right to vary specifications without notice. Bathroom Products Australia Pty Ltd ABN 87 079 297 617