

## INSTALLATION INSTRUCTIONS

### Life Assist Rimless Special Needs Suite

Code JTLLA401.J2750SN



AS1428.1  
compliant

**JohnsonSuisse**  
Bathroom Solutions

#### DESCRIPTION

The **Life Assist Special Needs** suite is a rimless, fully concealed, flush to wall suite that has a variable set out option. A special Assist+ seat is supplied for people with ambulatory limitations. This seat has lateral supports and no cover. The suite uses a raised button for easy flushing.

The suite is supplied with an adjustable S Trap connector fitting that permits a 100-300mm set out range. The suite can also be connected in a P Trap configuration (fittings not supplied).

The water inlet is back entry. A bottom entry conversion kit is available.

The cistern is bolted to the pan from inside the cistern tank and can be removed if necessary for servicing.

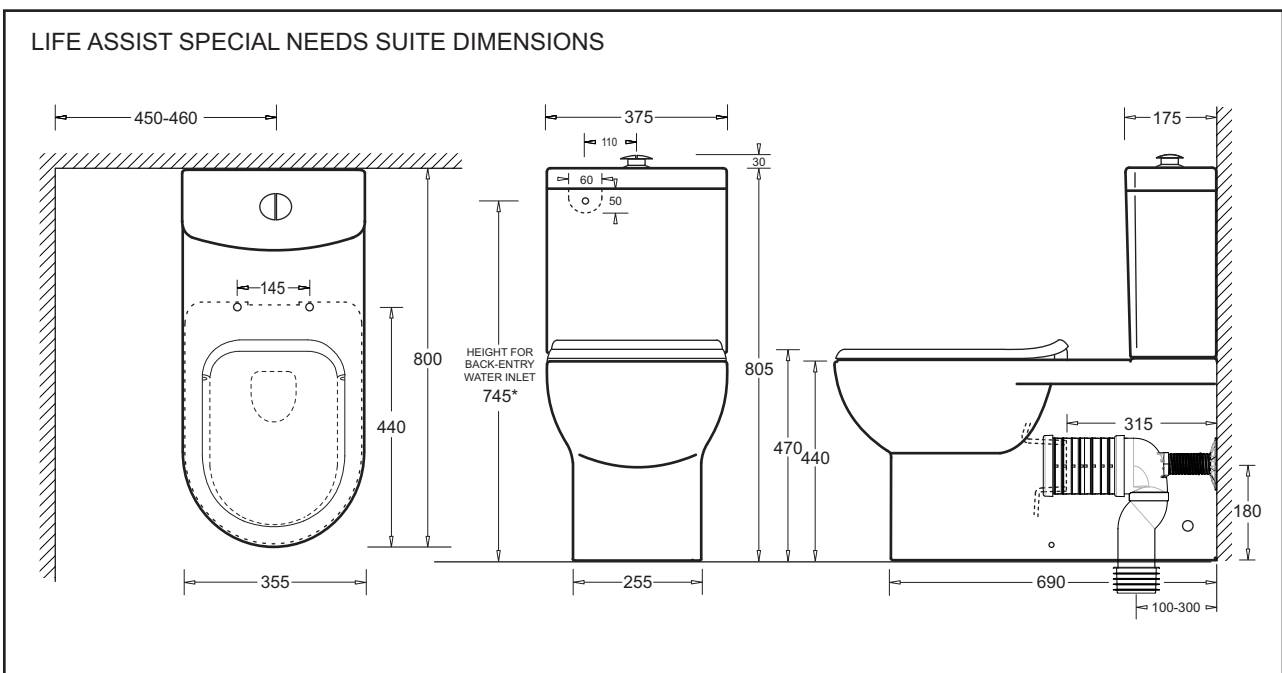
Floor fixing brackets are provided.

#### Special Note

**The Life Assist Suite is designed to comply with AS1428.1:2021-Design for access and mobility.**

**It is essential that the complete total sanitary facility installation adheres to this standard - specified circulation clearances, grab rails, and other accessories must be in compliance.**

**For compliance with this Standard the seat and flush button are available in dark blue or grey colours to provide contrast for vision impaired individuals. The seat also has lateral stabilisers fitted for individuals with ambulatory limitations and there is no seat lid.**

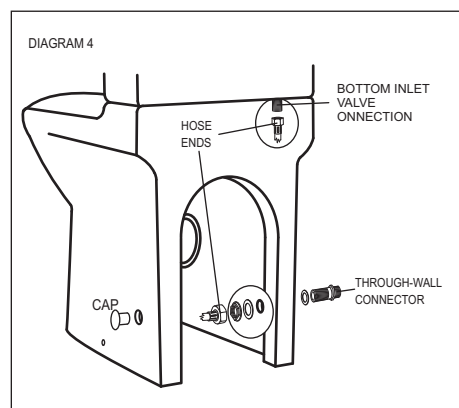
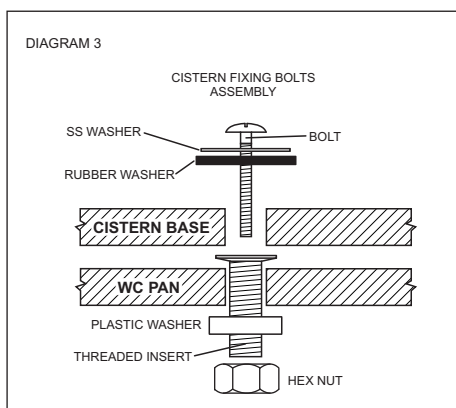
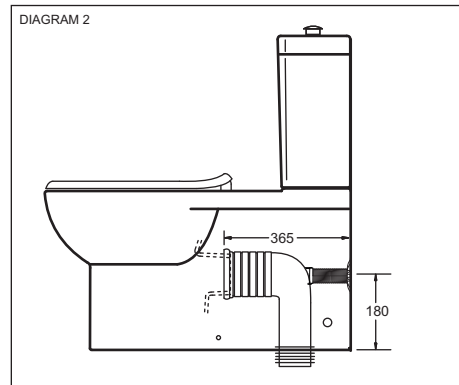
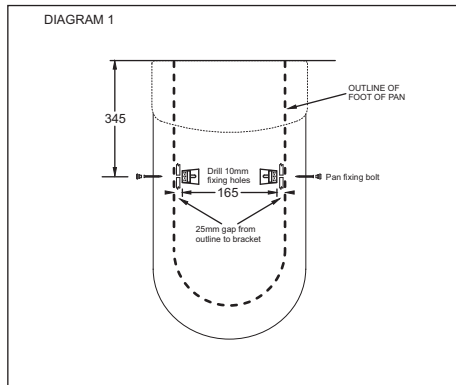


#### INSTALLATION STEPS

1. Inspect pan, cistern and seat for any transit damage before starting installation.
2. Check site roughing in, cistern tap position and assembly dimensions before starting installation. The WC must be installed on a level surface.
3. Insert the threaded insert and hex nut to pan platform as in DIAGRAM 3
4. Place the pan in position ensuring it is aligned with the centerline of the sewer connection. Mark the location of the pan fixing bolt holes.
5. Remove pan and locate the position of the floor brackets 30mm in from the external edges of the pan side. Drill the holes (10mm) to attach the floor fixing brackets. (DIAGRAM 1)
6. For S Trap installation cut the threaded bracing prop on the pan connector elbow to the correct length to suit the set out. Cut the pan connector fitting to the correct length(365mm from wall) and height(180mm from floor) to suit the job. Install the connector and screw the bracing prop to the back wall. Check the outlet connection fit with the pan fully back against the wall.(DIAGRAM 2)
7. For P Trap installation a pan connector and extension will be required.

**INSTALLATION INSTRUCTIONS**  
**Life Assist Rimless Special Needs Suite**  
**Code JTLLA401.2750SN**

8. For P Trap installations a pan connector and extension will be required.
9. Fit the threaded cistern fixing inserts into the holes in the cistern platform of the pan ( DIAGRAM 3)
10. Move the pan back into position ensuring it seals with the pan connector.
11. Fit the screws into the floor fixing brackets and affix decorative caps. A waterproof sealant may be applied to the pan base.  
 Note - if mortar bedding is required use a 4:1 sand and standard cement mix (**do not use Rapid Hardening Cement**). If the floor is tiled, cut out the tiles beneath the pan to create a good bonding surface.
12. Cistern fitting - The water supply to the inlet valve must be connected in accordance with AS/NZ3500.1.  
 Fit the blanking plug provided to seal the inlet hole in the base of the cistern.  
 Note: for bottom water entry option a bottom water entry valve is required(not supplied). Refer to DIAGRAM 4.  
 Check that the inlet and outlet valve securing nuts are firmly tightened to prevent leaks. Do not over-tighten.  
 Fit the foam sealing ring to the outlet valve base  
 Fit the cistern to the pan using the seals, washers and bolts provided (DIAGRAM 4).  
 Screw down firmly and evenly to compress the foam sealing ring.  
 Connect the flexible hose to the water supply.
13. Flush out the supply pipes before connecting the water supply . This is particularly important in new installations.
14. Fill the cistern and check the water level, if necessary adjust the inlet valve float so the water is at the indicated level.
15. Attach the cistern lid and buttons and test flush several times while checking for leaks
16. Fit seat



**Scope of Use - Life Assist Rimless Toilet Suite**

- This toilet suite is manufactured in vitreous china and is a rimless close-coupled design. The pan and cistern are supplied as a matched set.
- The suite is suitable for installation in compliance with AS 1428.1:2021 for disabled use applications. (AS1428.1:2021 Design for access and mobility Part 1).
- The suite is supplied in a P Trap configuration with S Trap installation achieved using a plastic elbow pan connector. This connector provides flexibility in the possible set-out range.
- The toilet suite complies with AS1172 Parts 1 & 2 and has a recommended working load bearing limit of 200kg.
- The operating inlet water pressure range is 20-800kPa.
- Installation is subject to the National Construction Code Vol.3 - Plumbing Code of Australia and associated reference Standards that may be applicable at the time.
- To comply with the terms of the BPA warranty the product must be installed by a licenced plumber to the provided instructions.
- External vitreous china surfaces should be cleaned with a soft, damp cloth and mild detergent.  
 The interior of the flushing bowl should be regularly cleaned with a toilet brush and proprietary toilet cleanser.
- Chemical/chlorine water sanitisers must not be used in the cistern tank.

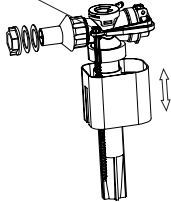
**INSTALLATION INSTRUCTIONS**  
**Life Assist Rimless Special Needs Suite**  
**Code JTLLA401.2750SN**

**VALVE SERVICE**

**INLET VALVE SERVICE**

**1. Water level adjustment**

TURN SCREW  
TO RAISE/LOWER  
FLOAT





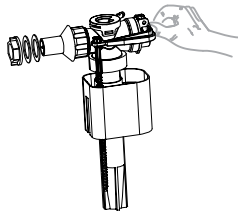
**WARNING**

DO NOT USE CHLORINE/CHEMICAL  
 SANITISERS IN THE CISTERN TANK.  
 SUCH USE MAY RESULT IN DAMAGE TO  
 TANK COMPONENTS AND WILL VOID  
 THE PRODUCT WARRANTY

**2. Cleaning the diaphragm**

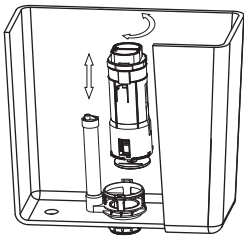
It is possible for dirt/debris to prevent the valve shutting off.  
 To remedy this the diaphragm may be cleaned as follows:

1. Unclip the float arm from the adjustment screw
2. Twist the plastic top-assembly firmly anti-clockwise and remove it from the valve body
3. Inspect both rubber diaphragm and valve seat. Rinse under running water to remove dirt/debris
5. Re assemble in reverse order



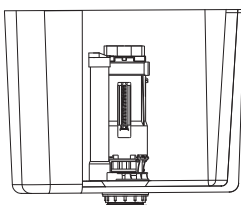
**OUTLET VALVE SERVICE**

**Removal**



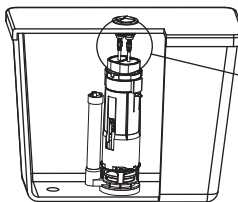
Valve may be removed for service - twist to unlock

**Assembly**

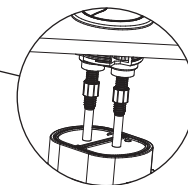


Hoses are not shown on this diagram

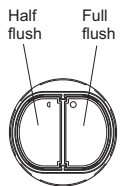
**Push button rod settings**



Button rods must be just clear of the valve pads

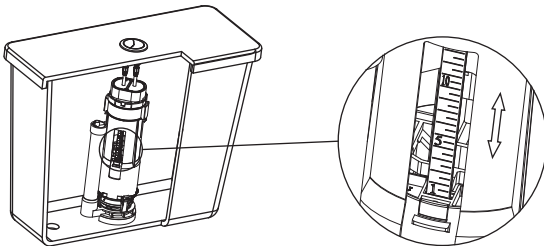


Button rods can be adjusted by screwing up or down



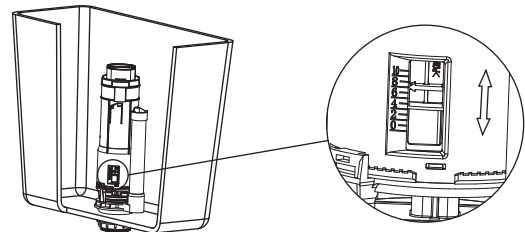
Ensure that buttons match valve pads

**Half flush adjustment**

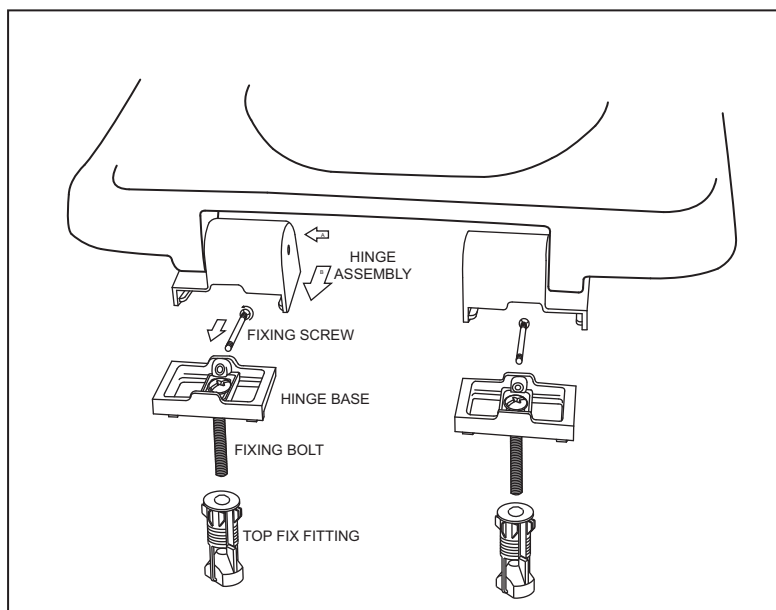


Half flush volume can be adjusted by moving the side float up or down.  
 Moving the float DOWN increases the half flush  
 Moving the float UP decreases the half flush

**Full flush adjustment**



The full flush volume can be adjusted by changing the residual water level in the cistern.  
 Move the adjuster DOWN to increase the volume.  
 Move the adjuster UP to decrease the volume.



## INSTALLATION

1. Insert the top-fix fittings into the seat bolt holes of the WC pan. Push down firmly.
2. Attach the hinge bases and lightly screw down the fixing bolts
3. Fit the hinge mechanisms to the seat - ensure that the holes for the fixing screws face to the front of the the pan.
4. Slide the seat and hinge assembly back and check the fit of the seat to the pan. adjust as necessary. Remove seat and tighten fixing bolts firmly. Refit the seat.
5. Insert and tighten the fixing screws
6. Fit the lateral stabilisers so that they are located correctly just on the inside of the bowl rim. Fit the stabiliser cover pads.

## CARE

1. Clean only with a soft cloth using mild soapy warm water
2. Do not use solvent based chemicals
3. Do not use harsh or abrasive cleaners

NOTE: This seat is available in Blue or Grey for vision impaired individuals.  
The seat is also available in White for assisted living/geriatric applications