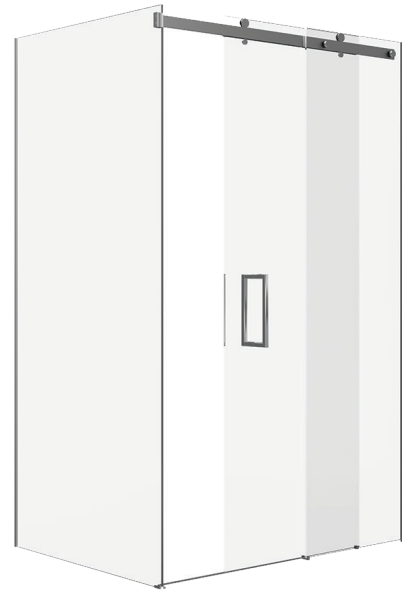


slider shower screen

INSTALLATION GUIDE

These installation guidelines are for to the following shower screens:

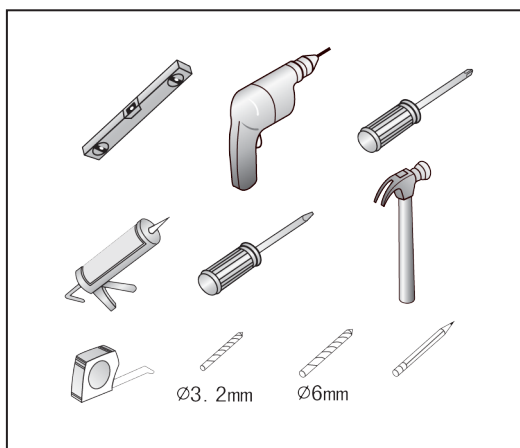
Model	Door + Fixed Panel Set	Return Panel Set
Barossa Slider 1200	SSBA34CHCLS SSBA34MBCLS Alcove size 1155-1175mm Return size 1170-1195mm	-
Barossa Slider 1500	SSBA37CHCLS Alcove size 1435-1455mm Return size 1450-1475mm	-
Barossa Slider 900	-	SSBA26CHCLR SSBA26MBCLR Actual size 860-885mm



IMPORTANT PRE-INSTALLATION NOTE:

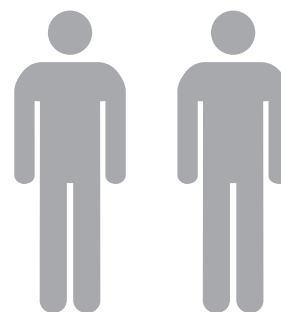
- Immediately on receipt inspect the product for transit damage, missing packs/parts or manufacturing faults.
- Damage reported later cannot be accepted.
- Please handle the product with care avoiding knocks and shock loading to all sides and edges of glass.
- Damaged glass or missing parts will not be replaced under warranty if the installation process has begun.
- SAFETY GLASS CANNOT BE REWORKED, IF BROKEN IT HAS TO BE REPLACED
- Please read these instructions carefully before you start installation. Special care should be taken when drilling walls to avoid hidden pipes or electrical cables.
- Securing into a stud or timber brace is highly recommended, if unable to do so, other secure means of fixing must then be considered.

TOOLS REQUIRED

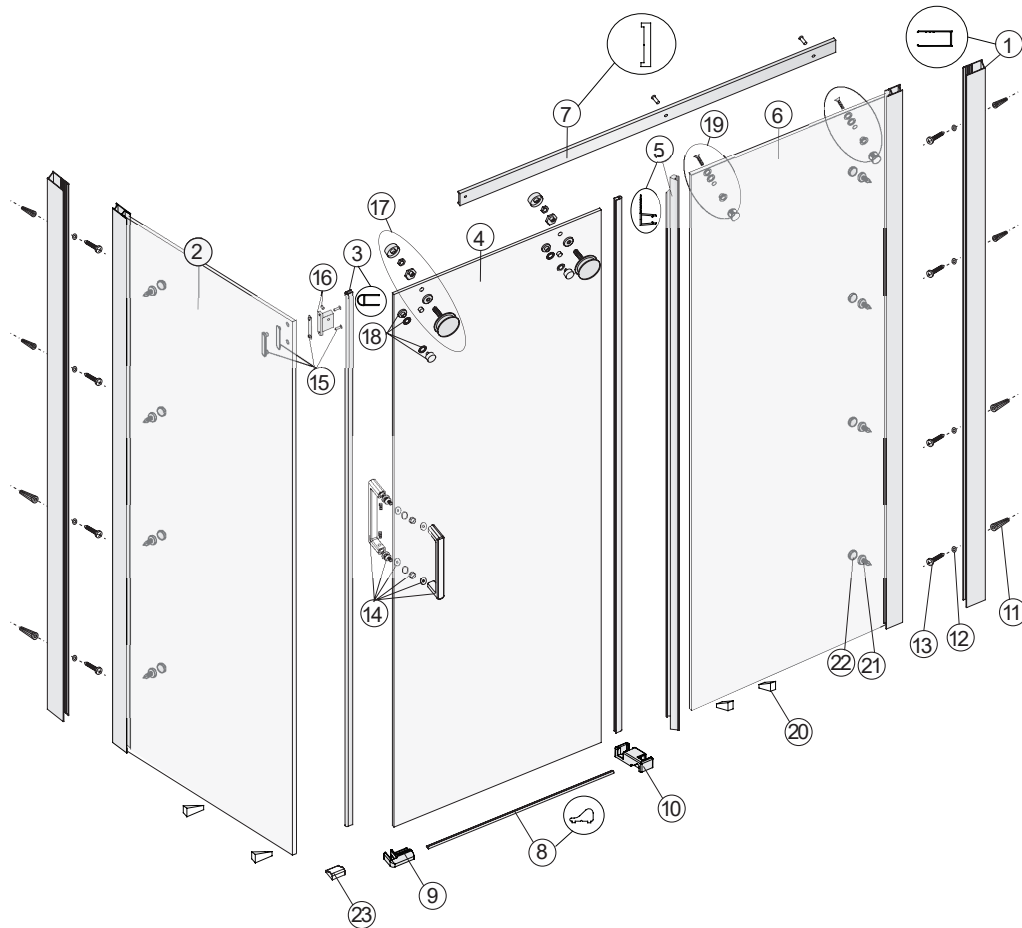


This product is heavy and awkward to handle.

Two-person installation is recommended.



ASSEMBLY COMPONENTS



COMPONENT LIST

- | | |
|--------------------------------|---------------------------------------|
| 1. 2 x Wall plugs | 13. 8 x 3.5x35 SS screws |
| 2. 1 x Side panel | 14. 1 x Handle set |
| 3. 2 x Buffer strips | 15. 1 x Rail bracket side panel parts |
| 4. 1 x Door Panel | 16. 1 x Rail bracket |
| 5. 1 x Vertical seal | 17. 2 x Roller sets |
| 6. 1 x Fixed glass front panel | 18. 2 x Lock-in knob sets |
| 7. 1 x Rail | 19. 2 x Rail support sets |
| 8. 1 x Drip rail | 20. 4 x Setting blocks |
| 9. 1 x End block (R) | 21. 8 x 3.9x8 SS screws |
| 10. 1 x Sliding block (R) | 22. 8 x Screw caps |
| 11. 8 x 6mm wall plugs | 23. 1 x Screen block |
| 12. 8 x 4mm steel washers | |

slider shower screen

INSTALLATION GUIDE

Before starting:

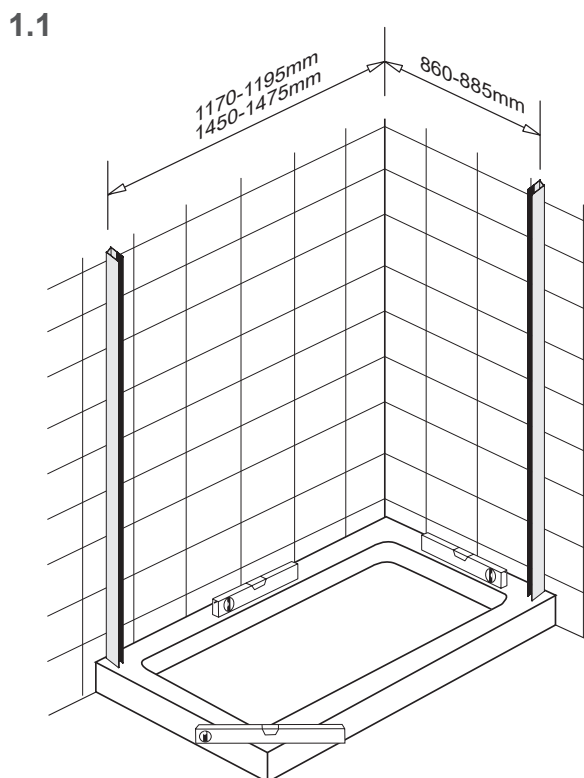
Ensure floor area for installation is completely level.

Walls must be plumb to within 5mm over the height of the screen.

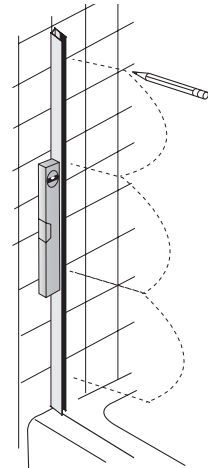
Check-measure that the screen size shown on the packaging suits the intended installation area.

STEP 1

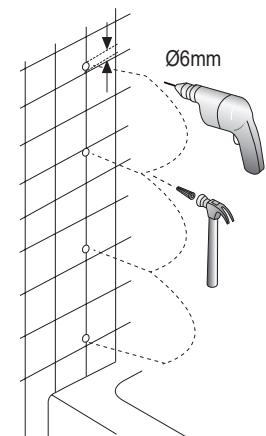
- 1.1 Adjust wall jambs [1] to ensure they are plumb and within the minimum/maximum size range, measuring to the outside of the wall jamb.
- 1.2 Mark holes on the wall through the holes on the wall profile.
- 1.3 Drill holes in wall using a masonry bit, then carefully tap-in the wall plugs [11]. Plugs supplied are standard masonry type; use other appropriate fixings if plugs supplied are not suitable for your wall type.
- 1.4 Screw wall jambs to walls using [12,13] ensuring the jambs are plumb.



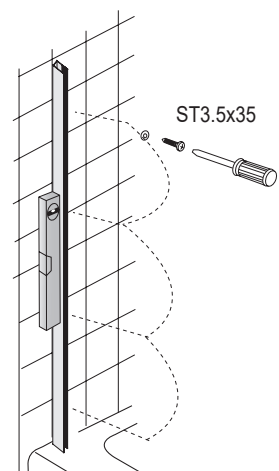
1.2



1.3



1.4

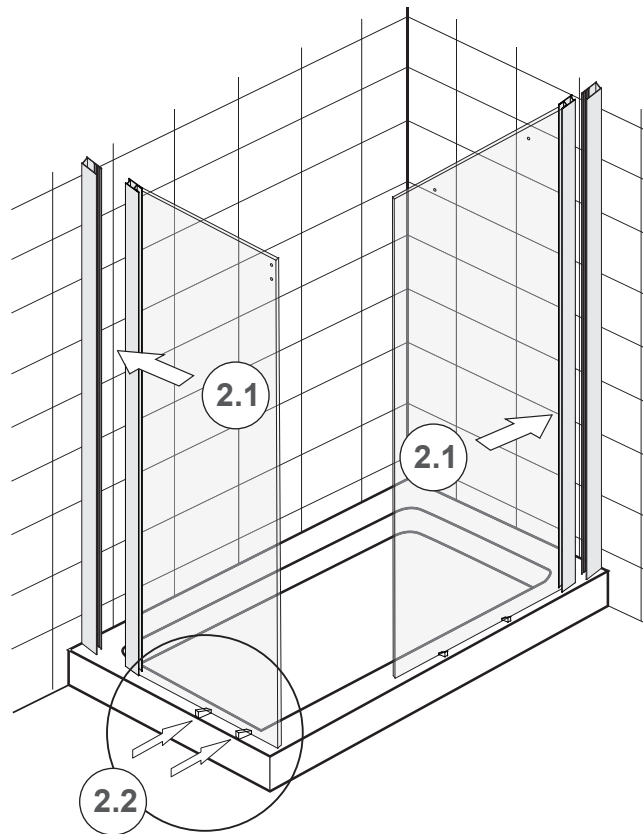


slider shower screen

INSTALLATION GUIDE

STEP 2

- 2.1 Insert the side panel [2] and fixed front panel [6] into the wall jambs.
- 2.2 Glass must be set on glass setting blocks [20] provided to prevent shock loading. Trim setting block to thickness of glass once set in place.



To prevent breakage glass must **not** come into contact with hard surfaces.

slider shower screen

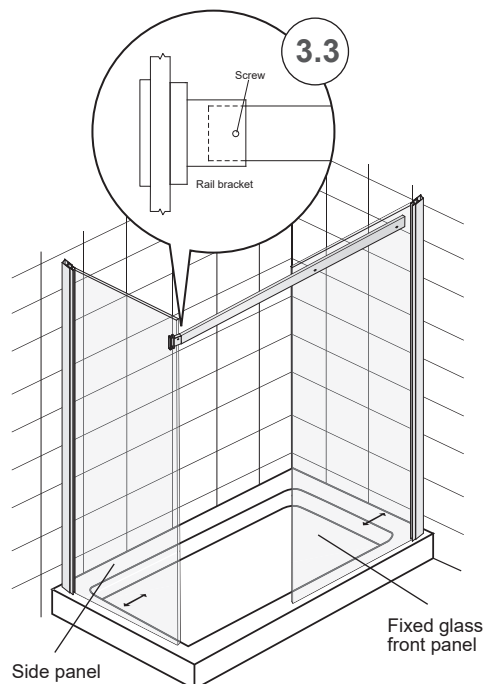
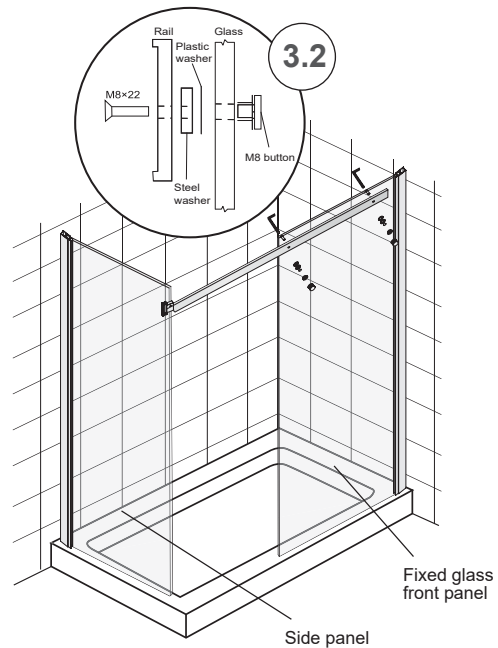
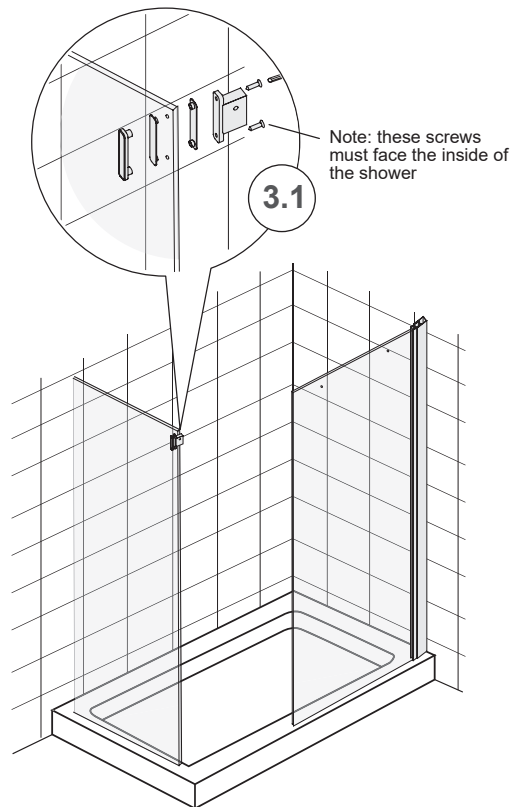
INSTALLATION GUIDE

STEP 3

3.1 Install rail bracket [15,16] to return panel.

3.2 Insert rail [7] into rail bracket and connect rail to front fixed panel using the rail support sets [19].

3.3 Adjust side panel to be parallel wall or edge of base, if necessary, adjust the fixed panel to ensure that the rail is inserted in bracket beyond the grub screw. Tighten grub screw on bracket to fix rail in place.



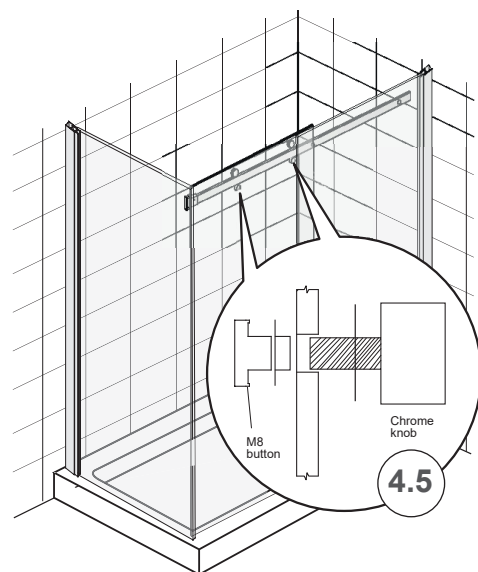
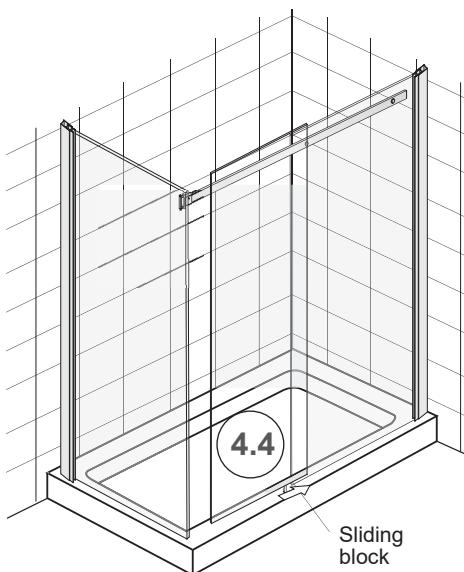
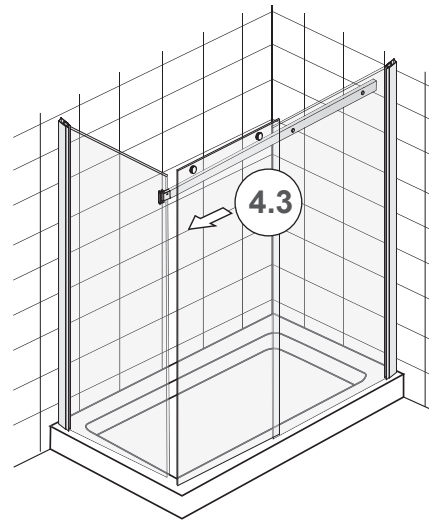
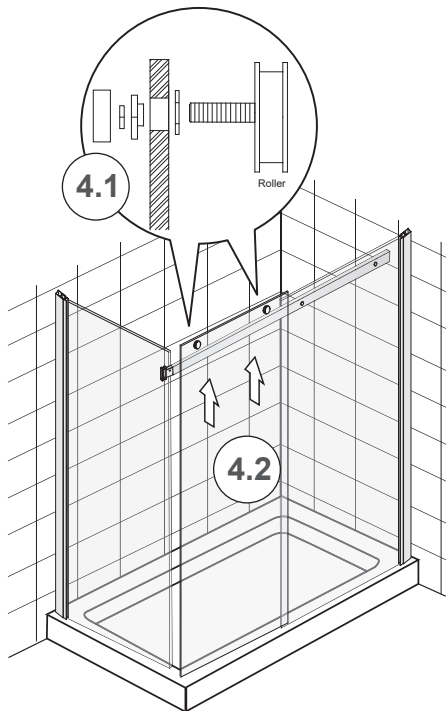
Ensure a plastic glass protector is used between all metal parts and glass

slider shower screen

INSTALLATION GUIDE

STEP 4

- 4.1 Install the roller sets [17] to door panel [4]. Rollers should be on the outside of the door.
- 4.2 Hang the door on the rail from inside of the shower.
- 4.3 Carefully slide the door toward the side panel and check the gap between door & side panel is even; adjust if necessary using offset in rollers or adjustment from the rail support.
- 4.4 Install the sliding block [10] to the front fixed panel and tighten lock-in screw.
- 4.5 Install the lock-in knob set [18] into holes in door panel with the chrome knob on the outside of door.



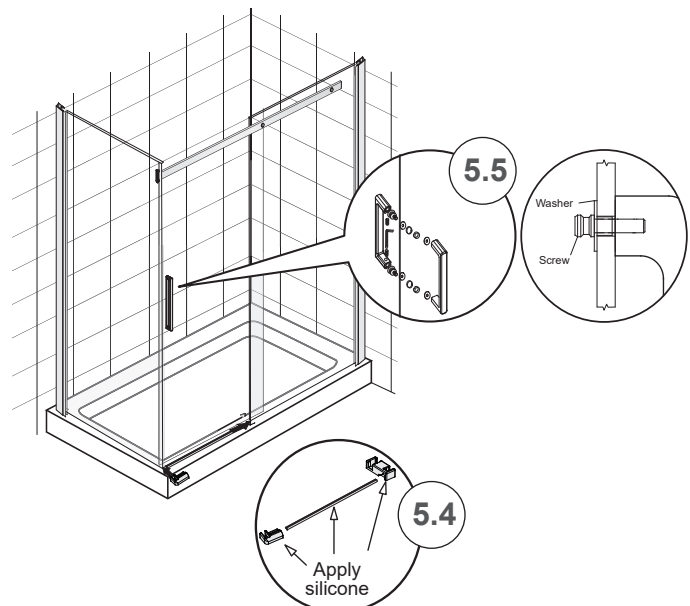
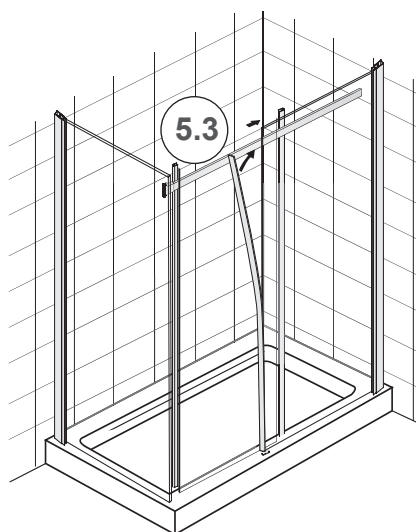
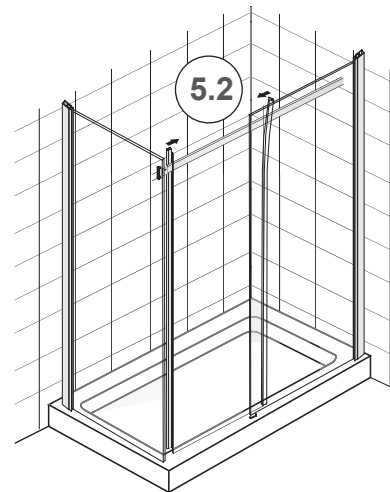
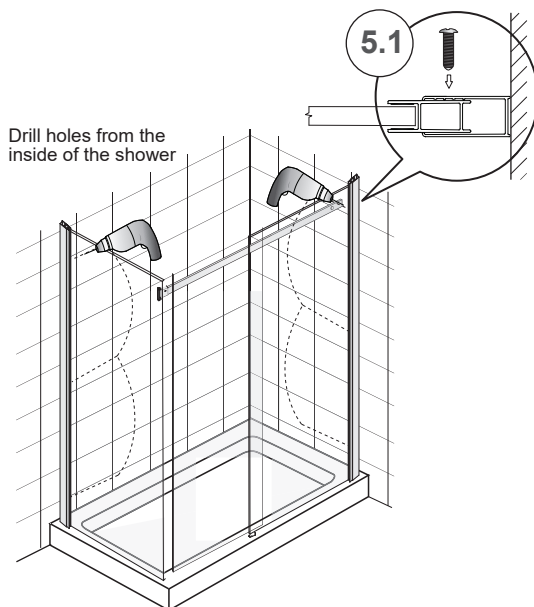
Ensure a plastic glass protector is used between all metal parts and glass

slider shower screen

INSTALLATION GUIDE

STEP 5

- 5.1 On the inside of the shower, drill 3.2mm holes through the fixed panel profile and wall jamb; then the return panel profile and wall jamb. Screw together using screws [21], fit the screw caps to the expose screw head [22].
- 5.2 Install the buffer strips [3] onto the door panel.
- 5.3 Install the vertical seal [5] onto the fixed panel.
- 5.4 Apply silicone to the underside of the drip rail [8] and end block [9], then insert drip rail into sliding block, with the end block connecting the drip rail to the side panel.
- 5.5 Install the handle set [14], with the locking screws on the inside of the shower.



Ensure a plastic glass protector is used between all metal parts and glass

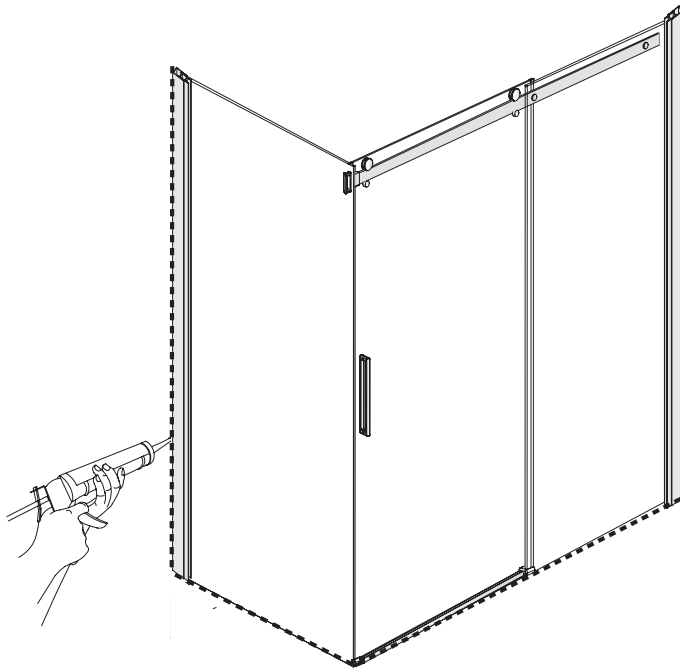
INSTALLATION GUIDE

STEP 6

Apply bathroom quality silicone sealant around all external joints of the shower screen.

Sealant is not used on the inside of the screen as in time water may build up within the wall jamb and then leak out of the shower area. The screen is designed to allow water to drain within the shower area.

ALLOW 24 HOURS BEFORE USING THE SHOWER



Apply bathroom quality silicone sealant around all external joints of the shower screen.

Sealant is not used on the inside of the screen as in time water may build up within the wall jamb and then leak out of the shower area. The screen is designed to allow water to drain within the shower area.

ALLOW 24 HOURS BEFORE USING THE SHOWER



CARE INSTRUCTIONS

This shower screen has been treated with EnduroShield® easy-to-clean glass surface treatment. Please follow the care instructions affixed to the door panel to ensure that your treatment is long-lasting.

After use, your shower should be cleaned with mild detergent and water. This is particularly important in hard water areas where insoluble lime salts may be deposited and allowed to build up.

Cleaners of a abrasive/gritty nature should not be used. Care should be taken to avoid contact with strong chemicals such as organic solvents and strippers. Glass cleaners can be used but with caution. If in doubt please contact the manufacturer of the cleaner in question.

Please keep these instructions for aftercare and customer service details.