

FLOOR WASTE

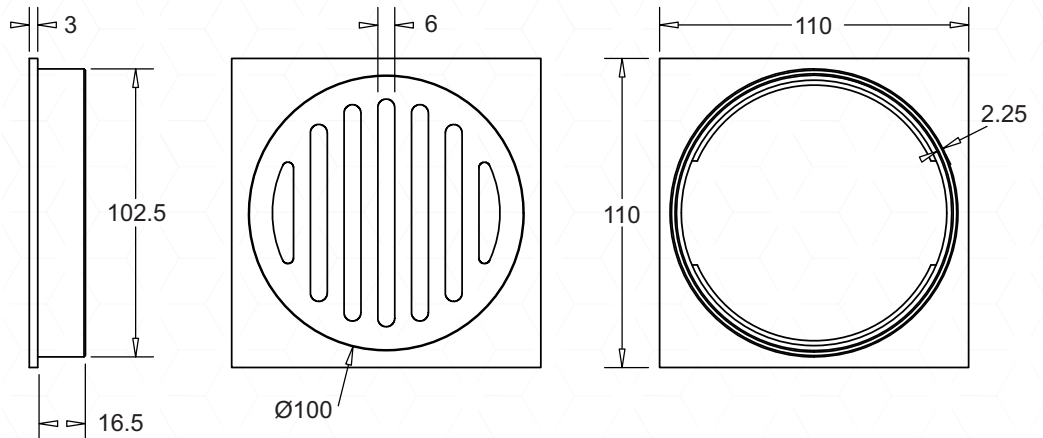
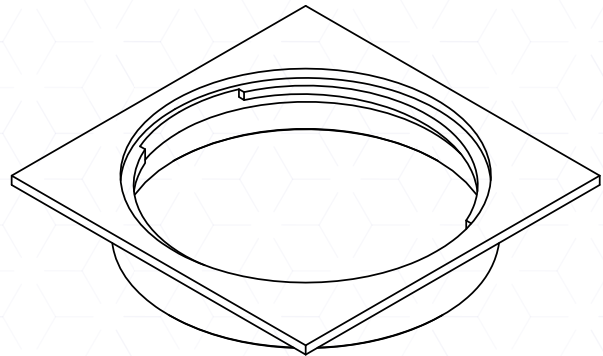
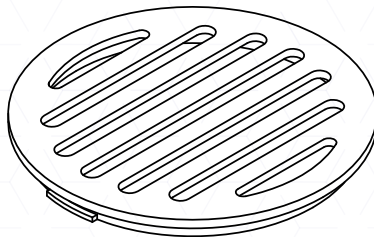
DN100

JohnsonSuisse
Bathroom Solutions

CODE:
MOU01xx

FEATURES

- Square floor grate
- Removable grille
- Suitable for floor or shower drainage
- Available in two attractive finishes
- Robust brass construction



ITEM CODES

 **CHROME**
CODE: JOU02CH

 **MATTE BLACK**
CODE: JOU02MB

Other finishes available on request

TECHNICAL DATA SHEET

SUPERSEDES ALL PREVIOUS ISSUES

All dimensions are in millimetres and are subject to normal manufacturing variation.
As product development is ongoing BPA reserves the right to vary specifications without notice.
Bathroom Products Australia P/L ABN 87 079 297 617

JohnsonSuisse
Bathroom Solutions

2/97 Banksia St., Botany, NSW 2019
TEL: 1300 717 717 FAX: 1300 746 480
www.johnsonsisuisse.com.au