

# Mode II Skew Suite

STANDARD PAN with SKEW CONNECTOR  
CISTERN SEAT and LINK

CODE:

Mode II Skew suite J2001A.G1210A.X011H

## FEATURES

- Standard vitreous china P Trap pedestal pan with plastic skew connector
- Plastic cistern with seat and link
- Variable vertical and horizontal set out dimensions.
- Suitable for retrofit or upgrade installations
- Pan has 4-hole floor fixing for good stability
- Efficient, reliable flushing performance
- **WELS 4 Star, 4.7/3.2L (3.5L average flush) L06624**

## COMPONENTS

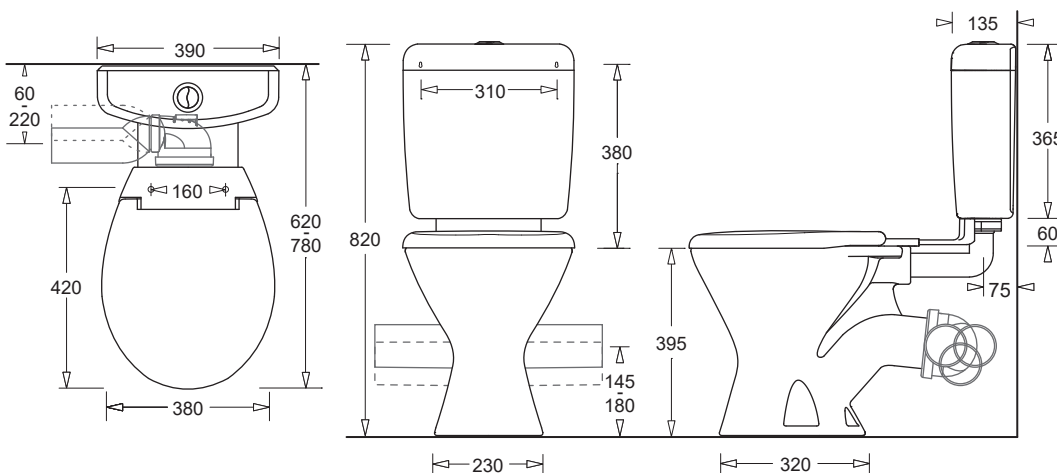
Mode P Trap pan	J2000A
Mode II cistern-seat-link	G1210A
Pan connector (Skew)	X011H

## WARRANTY

Vitreous china 25 years replacement  
Plastic cistern 10 years replacement  
Toilet seat 5 years replacement  
-refer to T&Cs at [www.johnsonsuiss.com.au](http://www.johnsonsuiss.com.au)

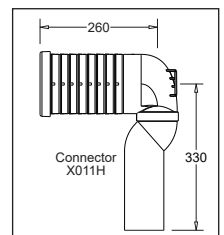


## PRODUCT DIMENSIONS



### Standard Fittings

Inlet valve	XJ100
Outlet valve	XJ114
Flush button	XJ144
Toilet seat	G1028A
Cap nut	X013A
Wedge seal	X024
Flush pipe	X026
Link piece	X025
Keeseal	X016
Bung	X041
Wall screw kit	X018



## TECHNICAL DATA SHEET

SUPERSEDES ALL PREVIOUS ISSUES

All dimensions are in millimetres and are subject to normal manufacturing variation.  
As product development is ongoing BPA reserves the right to vary specifications without notice.  
Bathroom Products Australia Pty Ltd ABN 87 079 297 617