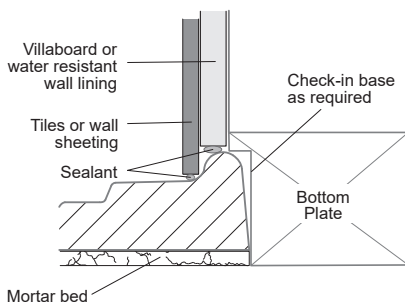


marbletrend new flinders

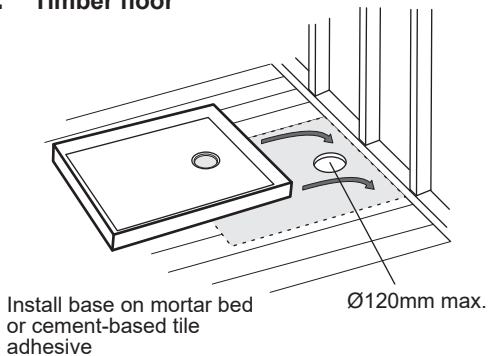
SHOWER BASE INSTALLATION INSTRUCTIONS

The Marbletrend New Flinders is a low profile MARBELITE™ shower base with a rear waste outlet. It is available with several combinations of tile lips. The base is available in white polymarble

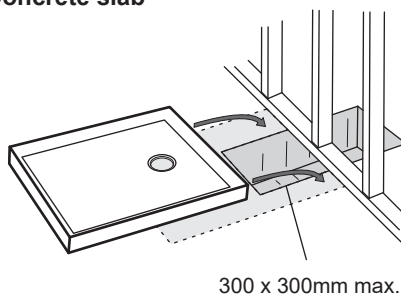
1. General arrangement



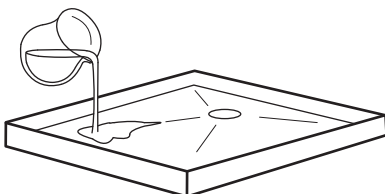
2. Timber floor



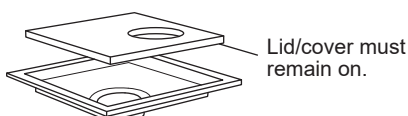
3. Concrete slab



4. Test drainage to waste



5. Smartpan/Smartwaste fitting



A. PRE-INSTALLATION NOTE

Measure the installation area and consider the wall cladding system to determine if it will be required to check the edge of the base into the wall by the width of the tiling flange in order to achieve a leak-free junction with the wall cladding material (Diagram 1)

B. TIMBER FLOOR (Diagram 2)

- Floor boards or sheet flooring must cover the entire underside of the base. Cut a hole for waste no greater than 120 x 120mm. Note: If renovating, ensure the floor is structurally sound. Replace the floor if necessary.
- Shower Base to be fixed to floor by spreading cement-based tile adhesive on the floor using a 12mm notched trowel, or by use of silicone sealant. Alternatively, where the floor is not perfectly level, the base can be set into a mortar bed - spread a 10mm thick mortar bed of 4:1 Washed Sand: Spread the mortar over the whole area where base is to be installed then trowel off level.
 - ⚠ Do not use 'Liquid Nails' or similar rigid construction-type adhesive to install base.
- Lay the shower base on the prepared bed and use a spirit level to adjust the base to ensure it is level along all sides and diagonally. This will allow the base to drain properly as it has an inbuilt fall to the waste outlet.
- At this point it is imperative to check that water drains to the waste outlet prior to lining the shower walls (Diagram 4). Failure to do so is a breach of warranty.

C. CONCRETE SLAB (Diagram 3)

- Any boxed opening in the slab to accommodate the waste must not exceed 300mm in width beneath the shower base.
- Shower Base to be fixed to floor by spreading cement-based tile adhesive on the floor using a 12mm notched trowel, or by use of silicone sealant. Alternatively, where the floor is not perfectly level, the base can be set into a mortar bed - spread a 10mm thick mortar bed of 4:1 Washed Sand: Spread the mortar over the whole area where base is to be installed then trowel off level.
 - ⚠ Do not use 'Liquid Nails' or similar rigid construction-type adhesive to install base.
- Lay the shower base on the prepared bed and use a spirit level to adjust the base to ensure it is level along all sides and diagonally. This will allow the base to drain properly as it has an inbuilt fall to the waste outlet.
- At this point it is imperative to check that water drains to the waste outlet prior to lining the shower walls (Diagram 4). Failure to do so is a breach of warranty.
- Backfill the opening in the slab with a 4:1 Washed Sand: Cement mix ensuring the mortar is packed tightly around the waste outlet and all the way back into the boxed section of the slab and up to the underside of the base to give maximum support.

Note: Where required by regulation plastic pipe and fittings may need to be lagged prior to backfilling.

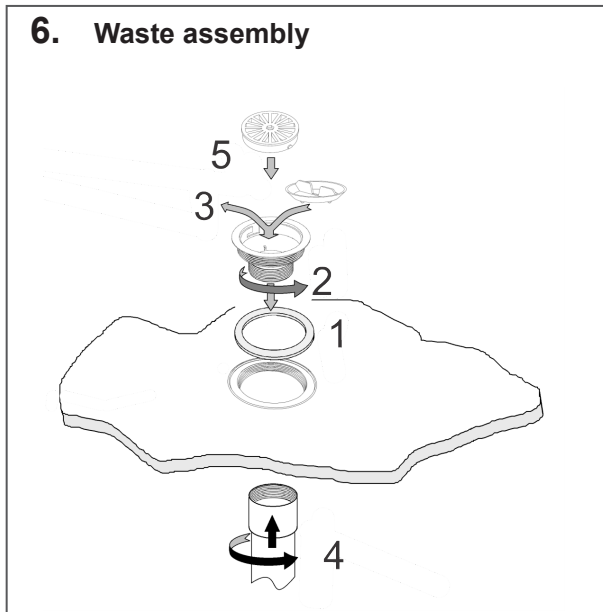
D. SMARTPAN/SMARTWASTE

When the installation uses these products as the waste collectors, ensure that the lid/cover is fitted, to provide adequate support for the base (Diagram 5).

marbletrend new flinders

SHOWER BASE INSTALLATION INSTRUCTIONS

6. Waste assembly



E. SHOWER BASE WASTE

Install the shower waste as shown in Diagram 6

CLEANING

The surface of the shower base will resist surface build-up. However to preserve its high lustre it may be cleaned with a soft cloth using warm soapy water or mild household detergent.

Do not use any form of abrasive cleaner.

If accidental abrasion occurs the surface sheen can be restored by polishing with a silicone based polish.

WARRANTY

Shower bases are guaranteed for 12 years against faulty materials or workmanship, subject to warranty terms and conditions.

⚠ Guarantee will be void if:

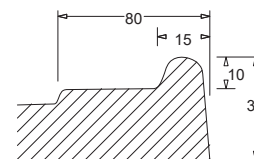
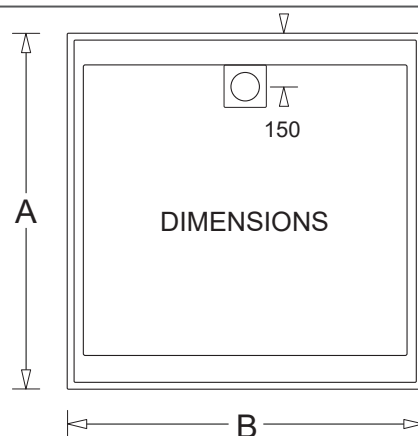
- the installation and usage instructions are not adhered to
- the base is subjected to water at a temperature exceeding 55°C

MODELS

Code	A	B	Tile Lip	Return Panel	
MSBF26CW.KW	900	900	x3	-	
MSBF26LCW.KW			x2	LH	
MSBF26RCW.KW			x2	RH	
MSBF26CW4			x4	-	
MSBF34CW.KW	900	1220	x3	-	
MSBF34LCW.KW			x2	LH	
MSBF34RCW.KW			x2	RH	
MSBF34CW4			x4	-	

NOTE: Optional square metallic waste covers are available in the following finishes:

- White
- Gunmetal
- Matte black
- Stainless steel



EDGE PROFILE

STORAGE

Shower bases can distort if not stored correctly.

If not installed immediately the base must be stored flat, top side up and not leaning on the waste outlet.

Do not place objects on the base during storage.

Distortion due to incorrect storage is not covered by warranty.

Plumbers - please ensure a copy of these instructions are left with the end-user for future reference