

IMPORTANT: Please read all of the instructions before installation.

General:

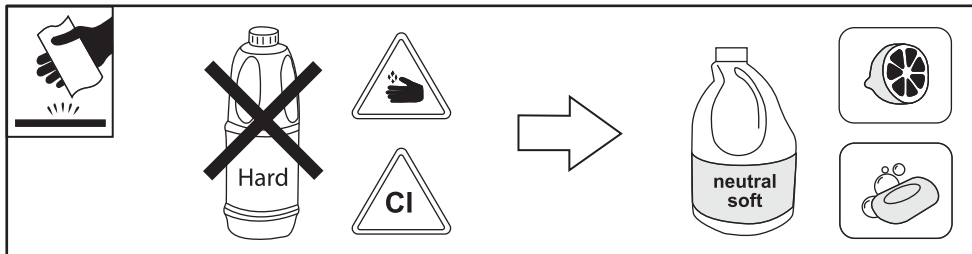
- Johnson Suisse recommends this product is installed by a licensed plumber in compliance with all relevant regional regulations and AS3500.
- Do not conduct a hydrostatic test on the installation with this mixer installed. This may damage the ceramic cartridge.
- Prior to the installation of the mixer, all pipe work should be thoroughly flushed.
- To prevent foreign particles damaging the ceramic cartridge, in-line filters must be fitted on both hot and cold supplies.
- Do not remove the ceramic cartridge from the mixer when installing.
- After installation all connections must be checked for leaks.
- All outlets used primarily for personal hygiene shall deliver water at a safe temperature as per regional regulations.
- In case limited water flow is experienced, clean aerator and filter washers to remove any foreign material.
- The installer has the responsibility to ensure a waterproof seal between the product and mounting surface. If in doubt about the quality of the seal, remove the product and reinstall.



See full warranty terms and conditions at www.johnsonsuisse.com.au

CARE AND CLEANING:

Never use abrasives or abrasive cleaning agents to clean this product. Clean regularly with contamination free warm soapy water and a damp soft cloth.



VENEZIA Freestanding Bath Filler Installation Guide

Technical Specifications:

Operating Pressure:

Min: 150kPa/1.5bar
Max: 500kPa/5bar*
Optimum: 150kPa/1.5bar - 500kPa/5bar

Operating Temperature:

Hot: Max 80°C* (Regional specific regulations apply)
Cold: Min 5°C

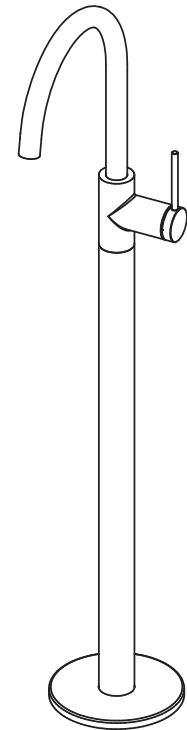
Inlet Connections:

All 1/2" BSP

Model No:

JTV14XXX

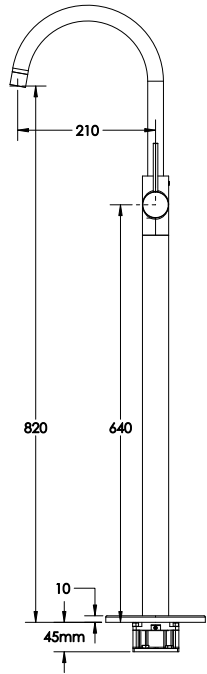
XXX - defines
the finish colour



Freestanding
Bath Filler
JTV14

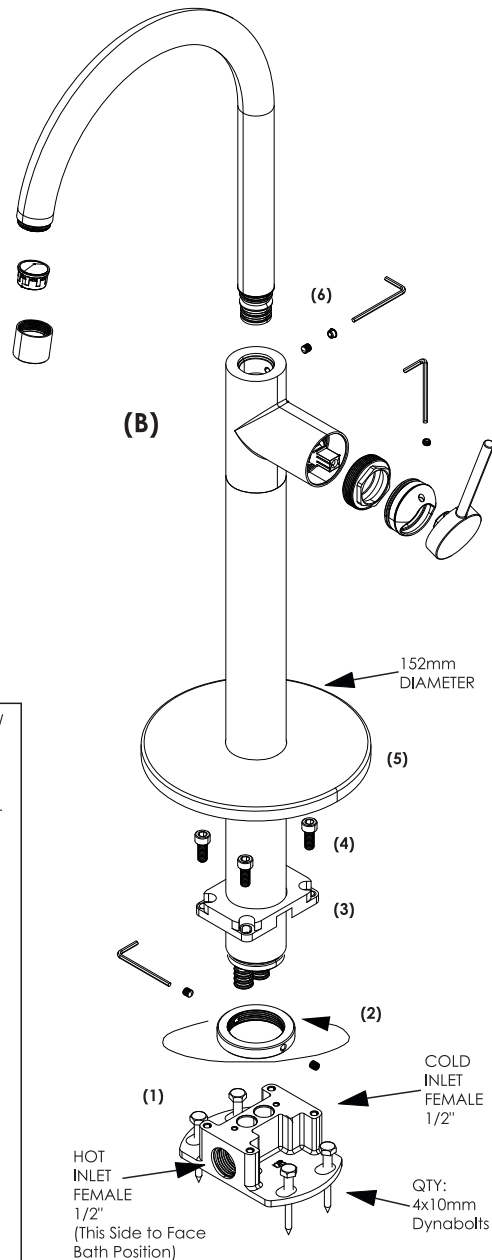
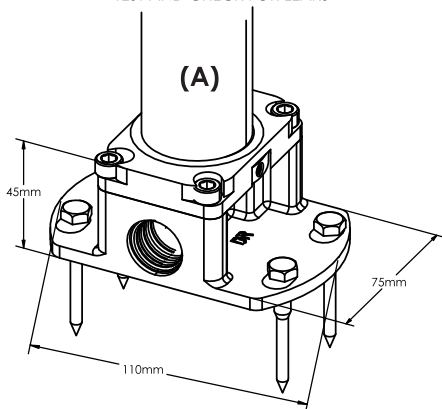
IMPORTANT: Please read all of the instructions before installation.

DIAGRAM



OBSERVE THE FLOOR MOUNTING BODY DIMENSIONS BELOW
WE RECOMMEND THE PIT TO BE CAST IN CONCRETE
FOR TIMBER FLOOR INSTALLATIONS ALTERNATIVE SCREWS
AND ANCHORS MUST BE USED (NOT SUPPLIED)

RUN SUPPLY LINES THROUGH PVC CONDUIT AND CONNECT
TO THE INLETS AND WHILST THE TEST CAP IS STILL INSTALLED
TEST AND CHECK FOR LEAKS



IMPORTANT: Before you begin, turn off the water supply. It is recommended to fit isolation valves both the hot and cold supply.

INSTALLATION PROCEDURE:

1. Floor Mounted Bath Filler: (A) Remove the brass mounting body from the packaging (1). The body comes already assembled with a rubber protective cover which also functions as a test cap. This is used to ensure the male inlet water connections (hot and cold) can be hydrostatically tested before fit-off to ensure a water tight seal.
2. Leave the test cap in place until tiling and floor finishes are complete. This ensures that the inlets remain free from damage and debris from entering.
3. The mounting body has a height of 45mm. This is the minimum recommended depth for the installation pit. The pit can be deeper but this will affect the overall height of the bath filler spout. Check against bath height and bathroom layout. Orient the mounting body so the face of the hot inlet side faces the bath position.
4. Mount the body with the supplied dynabolts into the concrete pit. If mounting to a timber floor, an alternative fixing setup is required (not supplied)
5. Connect the hot and cold supply lines to the mounting body as indicated on the brass body (1). Use the test cap to check supply lines for leaks.
6. The mounting body should then be waterproofed in accordance with the regional requirements.

1. Floor Mounted Bath Filler: (B) Carefully assemble the 10mm cover flange onto the filler (5)
2. Carefully assemble the top of the brass mounting body onto the filler (3)
3. Screw on the locking nut onto the base of the filler (2). Use the set screws and hey key to lock this into position.
4. Remove the test cap (1) and flush the supply lines to avoid damage to the ceramic disc from debris. Remove protective plastic on the bath filler inlet tubes and carefully install the filler into the mounting body without damaging the inlet tubes sealing O'rings.
5. Push down the top of the brass mounting body (3) and fix into position with the 4 M6 bolts (4).
6. The cover flange (5) can then be placed into position.
7. Connect the outlet spout to the filler body and make sure to include the seals and washers to eliminate leaking (6).