

INSTALLATION INSTRUCTIONS

TOLEDO XTRA - WALL FACED TOILET PAN

Code JTTT601

DESCRIPTION

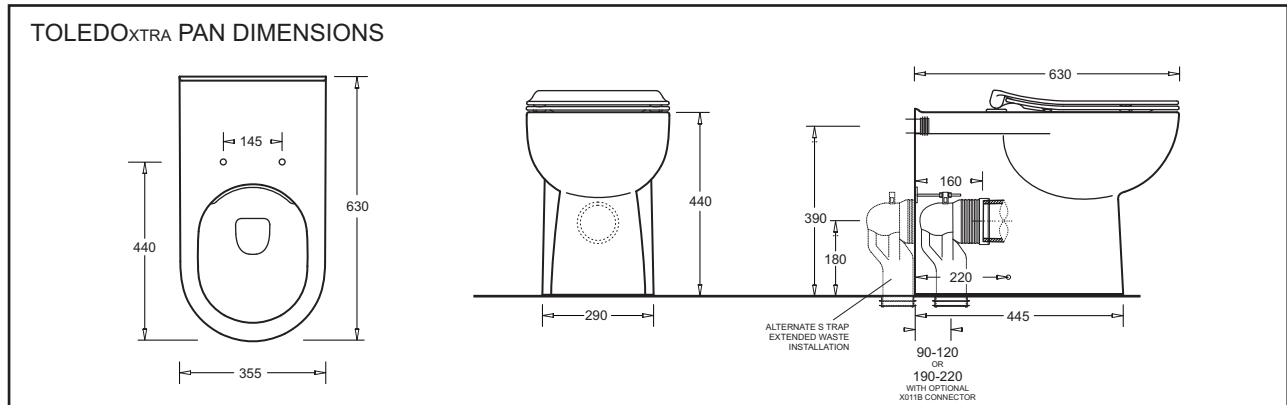
The **TOLEDO XTRA** wall faced pan is rimless and has a fully concealed sewer outlet. It is recommended that the pan is installed in a P trap configuration (180mm vertical P trap set out).

A 90-120mm S trap set out can be achieved with an adjustable pan connector (Code X011H, supplied separately).

The pan is designed to be used with an in-wall cistern.(JohnsonSuisse Frameless Econoflush recommended - models J2981 or J2982)

The pan has a soft close seat that is attached via top-fixed bolts. The seat is removable for cleaning.

Floor fixing brackets are provided.



CISTERN

- Install an in-wall cistern to supplier's instructions.
- Note that the flush-water inlet at the back of the pan needs to be located 390mm above floor level.(Diagram 1)

INSTALLATION STEPS

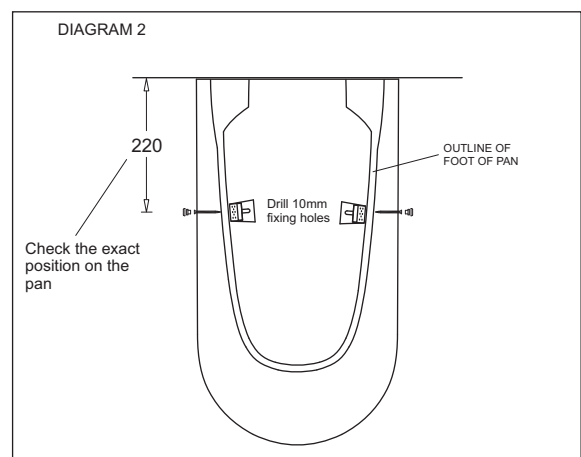
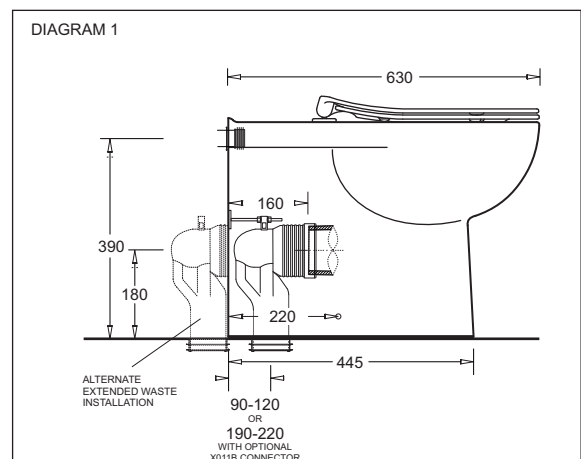
1. Inspect the pan, and seat for any transit damage before starting installation.
2. Check site roughing in and assembly dimensions before commencing installation.
3. The WC pan can be installed by setting in a mortar bed or using the concealed pan-fixing bracket (supplied).
4. Place the pan in position ensuring it is aligned with the centerline of the sewer connection. Mark the location of the pan fixing bolt holes.
5. Remove pan and locate the position of the floor brackets 15mm in from the external edges of the pan side. Drill the holes (10mm) to attach the floor fixing brackets. (Diagram 2)
6. A pan connector will be required to complete the installation.

General

- Fill the cistern, and check the water level, if necessary adjust to the fill mark.
- Test flush several times while checking for leaks at the pan connector and the cistern connection.
- Fit the supplied seat (Code: JTTT101)

Warranty

- Please visit www.johnsonsuiss.com.au for warranty terms and conditions



All installations should be carried out by a licensed plumber in compliance with the requirements of AS/NZS 3500.1 & AS/NZS 3500.2 and any State or Local Authority Regulations.