

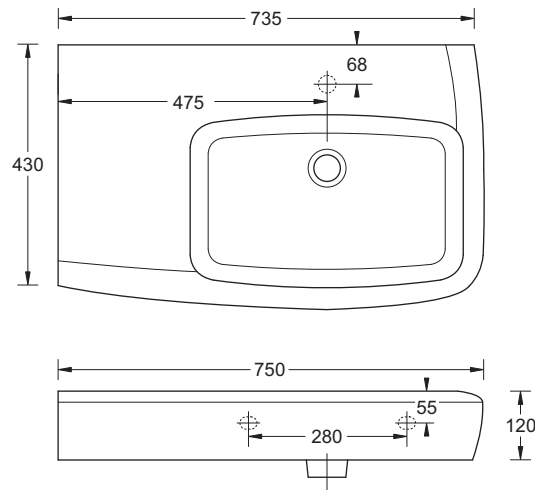
# INSTALLATION INSTRUCTIONS

## LUCCA SHELF BASIN

**JohnsonSuisse**  
Bathroom Solutions

LEFT HAND SHELF MODEL  
RIGHT HAND SHELF MODEL

J3170L  
J3170R



### INSTALLATION STEPS

1. Check installation position to confirm fitting and waste dimensions and location.  
Note: it is recommended to pre-fit the tapware and waste before installation.
2. Mark the positions of the rag bolt holes and drill 2 x 10mm holes  
Note: the basin rag bolts must be attached to a masonry wall or a stud wall incorporating timber reinforcement for the basin fixing.
3. In a masonry wall - insert the plastic wall plugs into the wall.
4. screw in the two bolts leaving 40-60mm of the bolt protruding from the wall.
5. Fit the basin to the wall and fasten using the washers and nuts.
6. Before final tightening check the levels are correct to ensure proper drainage.

