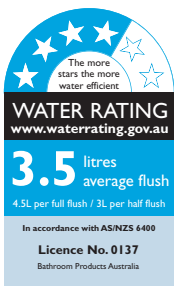
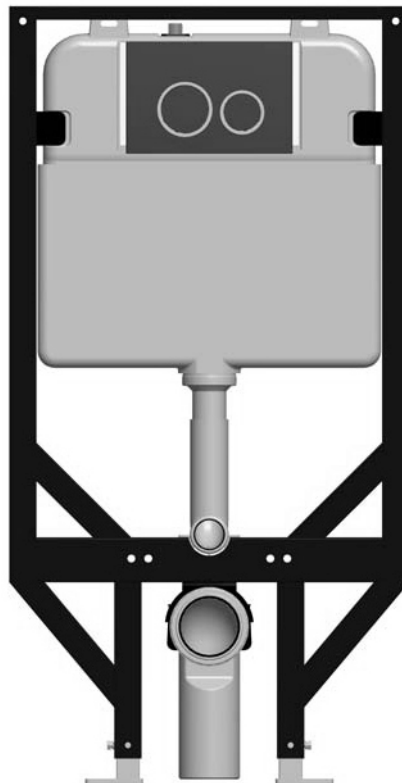


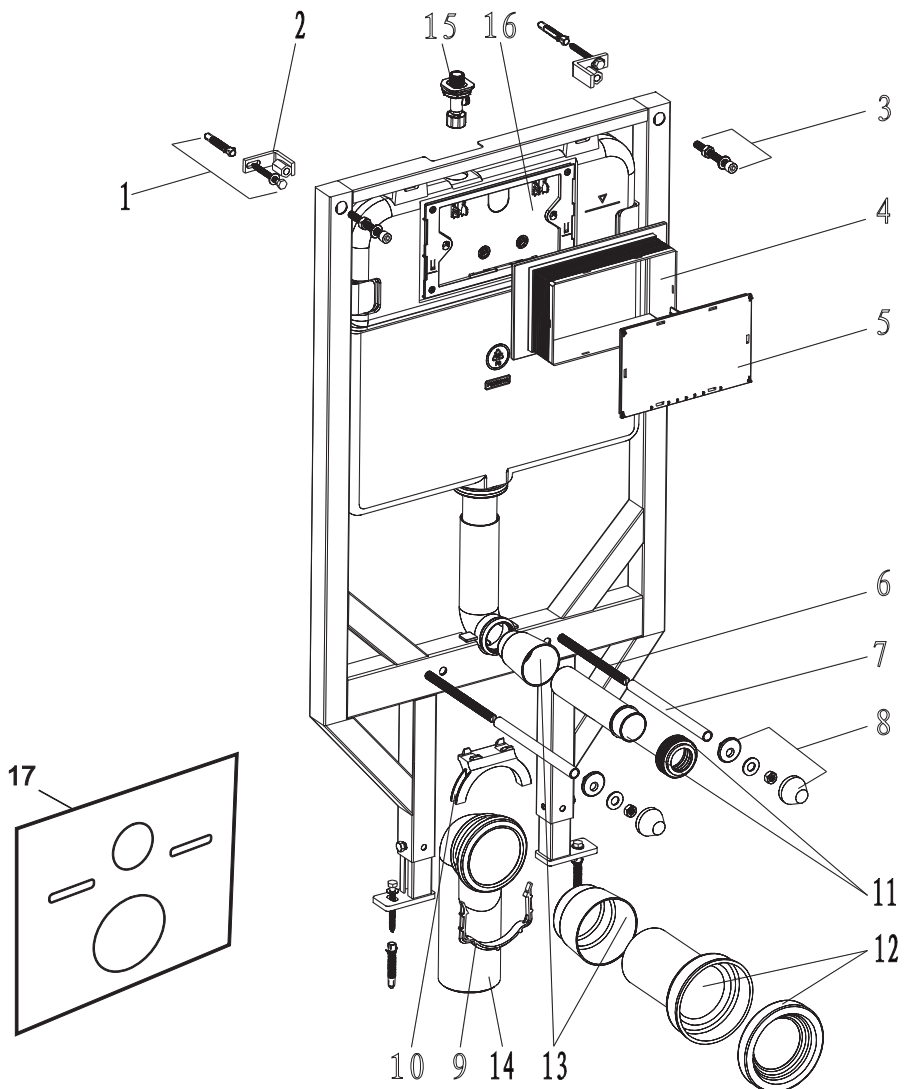
ECONOFLUSH

INSTALLATION INSTRUCTIONS

ECONOFLUSH FRAMED IN-WALL CISTERN

CODE: J2986



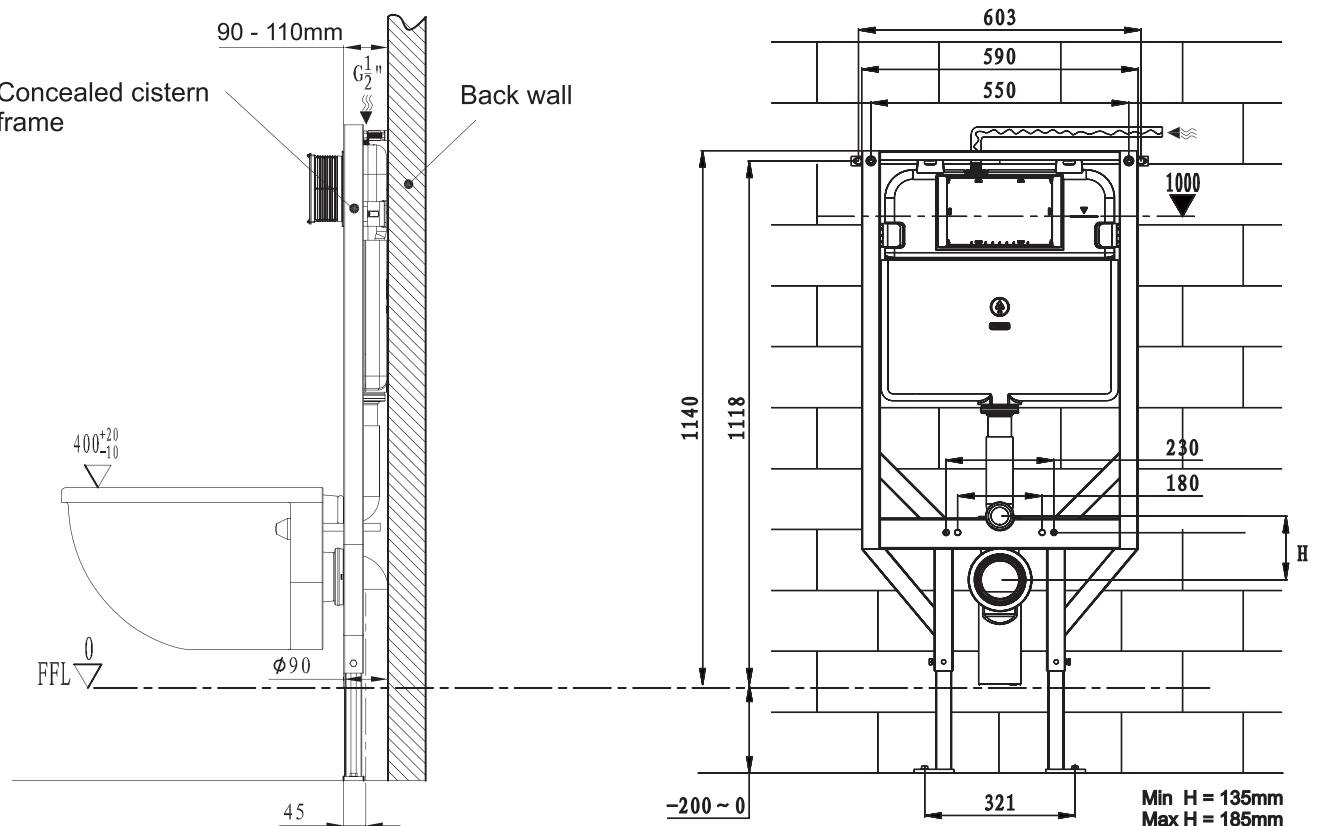


NO.	DESCRIPTION	GEMINI CODE	QUANTITY	
1	Expansion Screw	XJ166	4	
2	L-Bracket		2	
3	Internal Hexagon Screw		2	
4	Dust Box		1	
5	Dust Box Cover		1	
6	Pan Supporting Threaded Rods		2	
7	Protective Cover		2	
8	VC Fixing Accessories		2	
9	Bracket Brace		2	
10	Mounting Bracket		1	
11	Flush Pipe + Kee-Seal		XJ166A	1
12	Sewer Pipe Connecting Accessories			1
13	Sewer Pipe Plug + Flush Pipe Plug			1
14	90 Degree Sewer Bend		XJ166B	1
15	Water Inlet Connection Point (Mini cistern tap)	XJ166C	1	
16	Face Plate	XJ166D	1	
17	VC Mounting Pad	XJ166E	1	

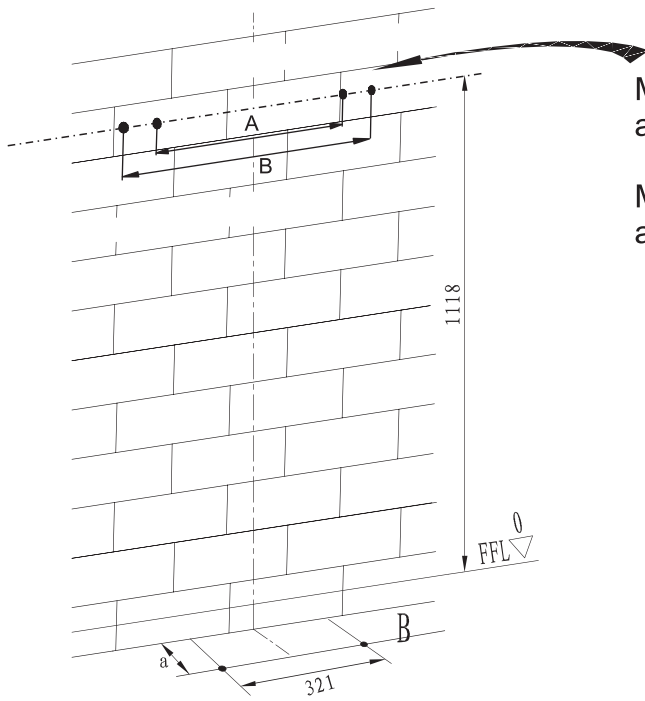
IMPORTANT: READ THESE INSTRUCTIONS BEFORE INSTALLATION.

- 1- Check contents of the carton are as listed in this manual.
- 2- Follow the instructions illustrated in the diagrams for methods of cistern installation.
- 3- Before connecting the water supply to cistern be sure to flush the pipeline clear of debris. This will prevent damage to the inlet valve and the operation of the cistern.
- 4- The step by step diagrams show the installation to a masonry wall but the cistern can also be installed in timber or steel frame walls.
- 5- To install the dual flush buttons refer to the instructions provided inside the button packaging.
- 6- Ensure that the internal mini cistern tap with black handle is in the fully open position. Water pressure to the cistern must comply with local Water Authority guidelines. If not known it is recommended that a pressure regulating valve is installed near to the water meter to comply the manufacturers warranty conditions.
- 7- For optimal flushing of the cistern the button flush rods must be installed to the correct position. See the button installation diagram.
- 8- To adjust the H (distance between the centre of the inlet and sewer centre) remove split pin from the base of flush pipe at rear and slide the flush pipe up to the desired position (Max 185mm).
Note: flush pipe may need to be supported on the back wall.

The cistern has a top entry water connection and requires a **15mm BSP union connector** (not supplied)

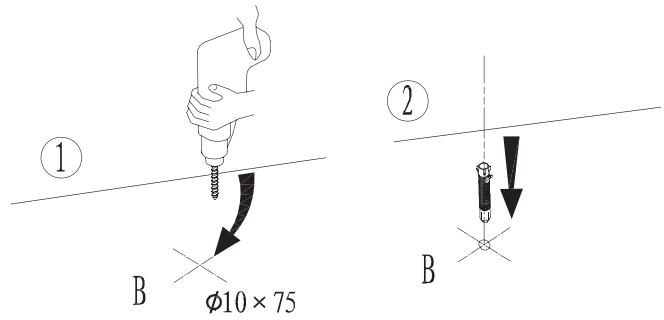


1- Drill holes in the wall and floor then install expansion plugs and screw frame into position.

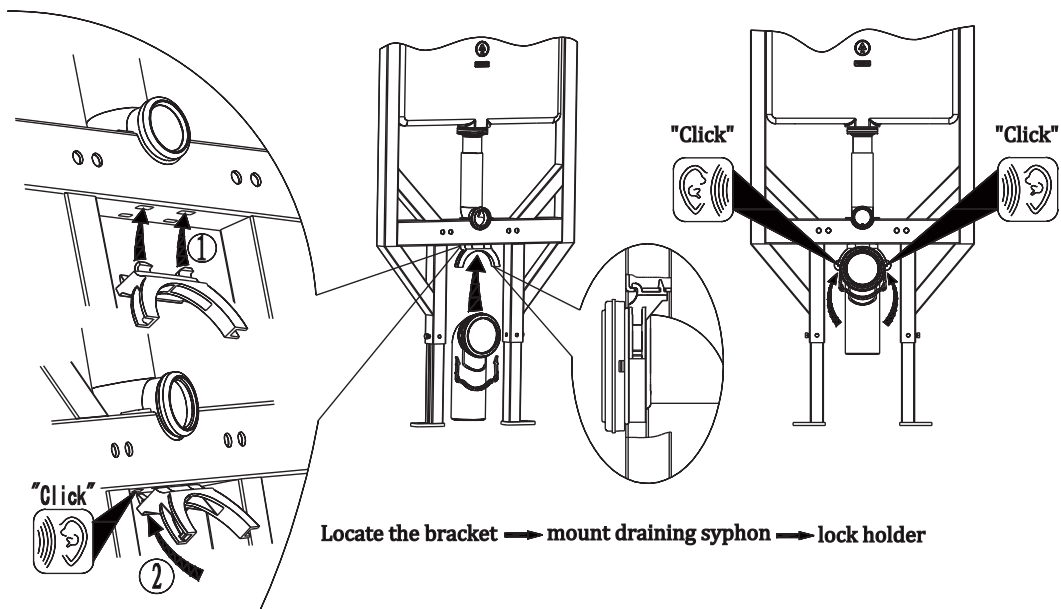


Measurement (A) = 497mm if the L brackets are to be installed facing inwards.

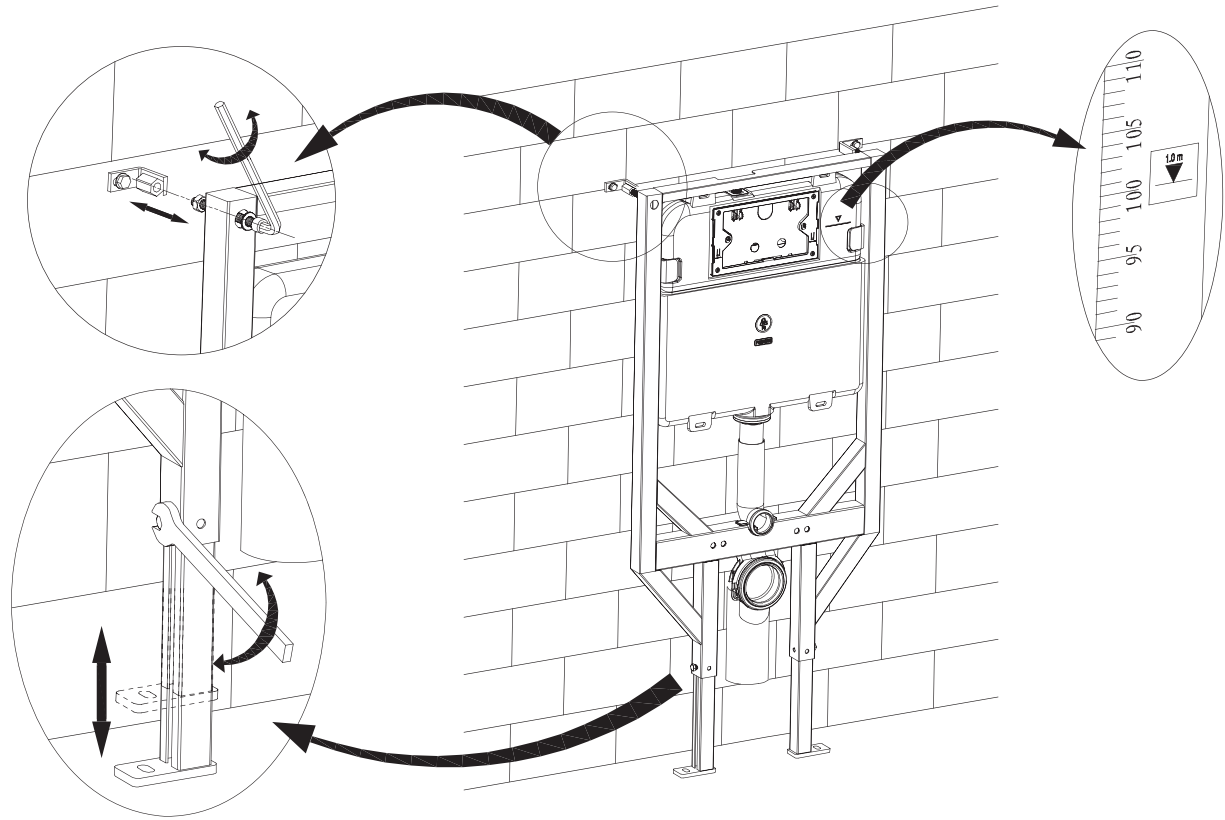
Measurement (B) = 603mm if the L brackets are to be installed facing outwards.



2- Install mounting bracket and 90 degree sewer bend.

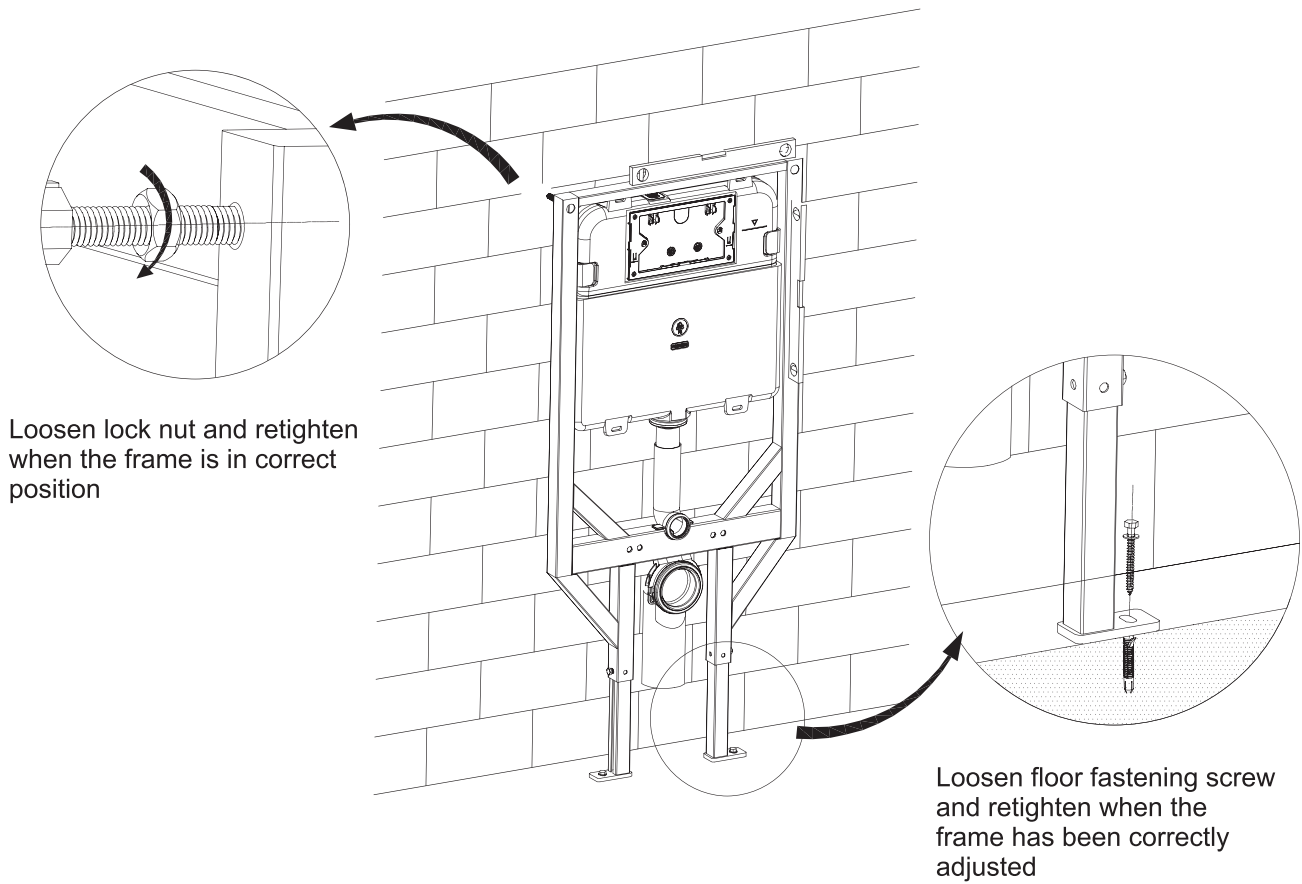


3- Install the frame

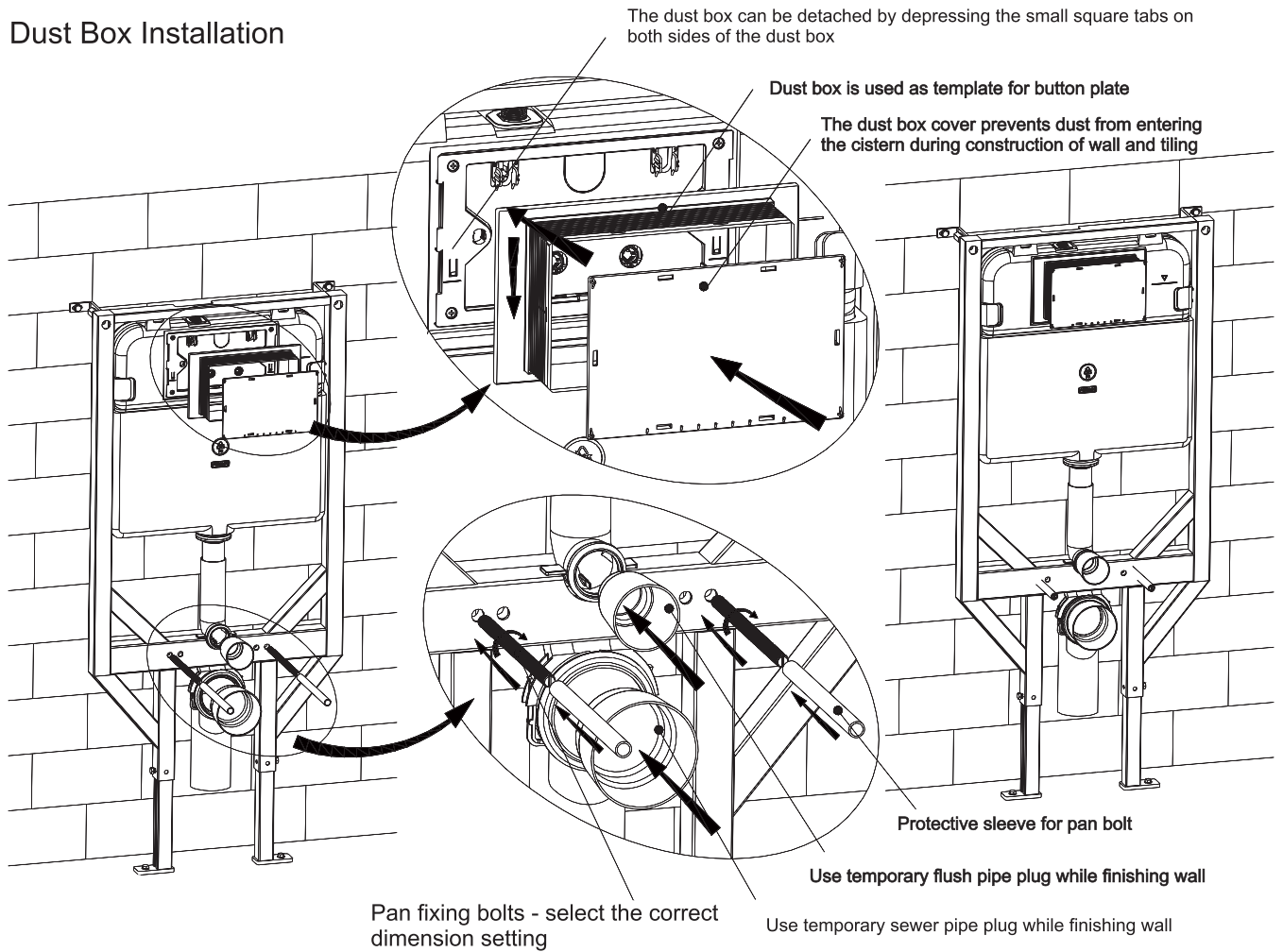


Adjust frame legs to correct height

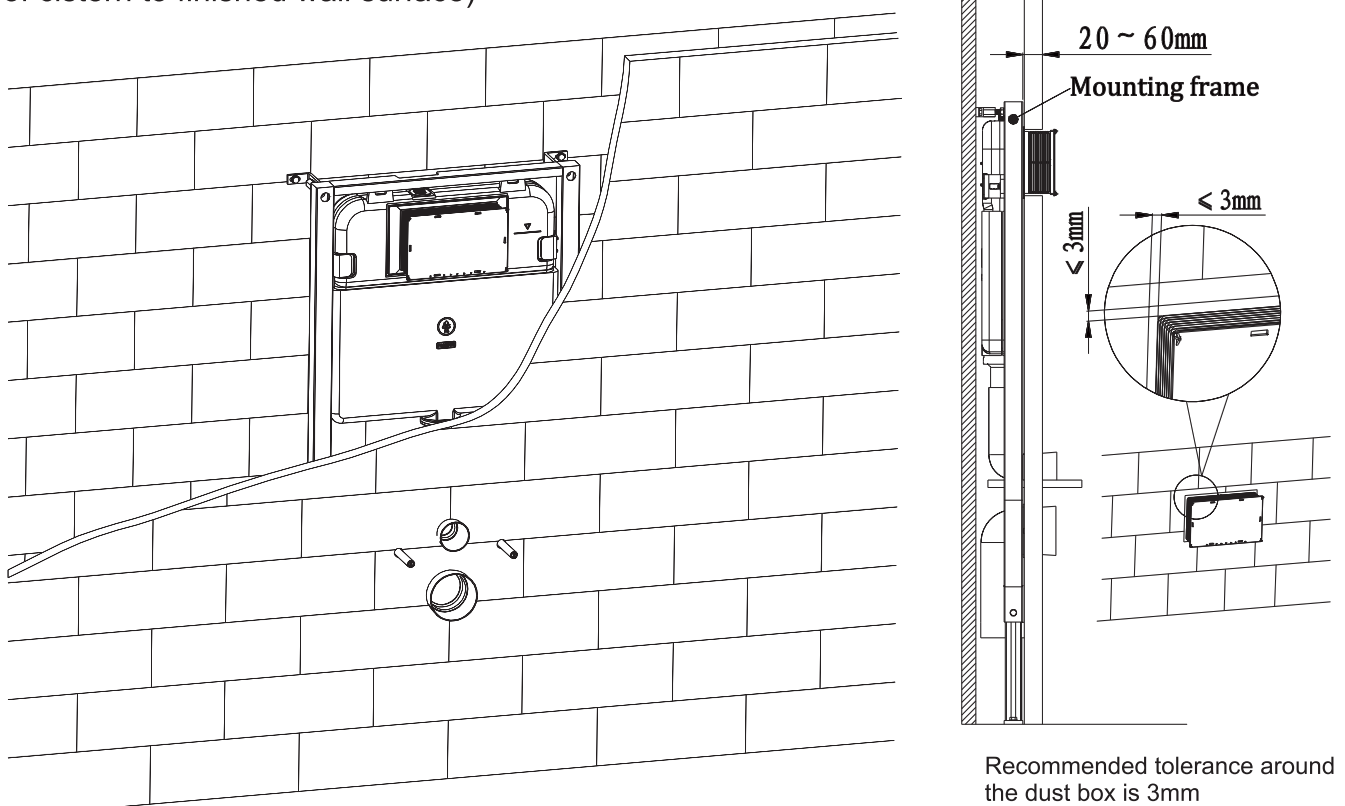
4- Check that the frame is level



5- Dust Box Installation

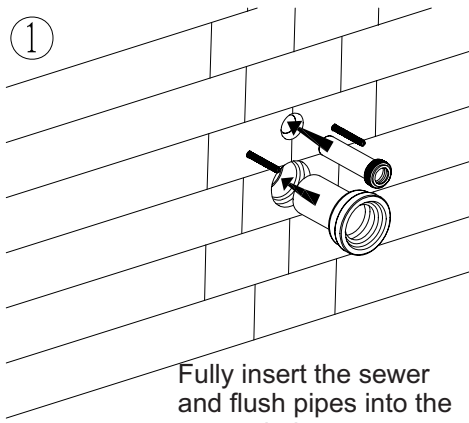


6- Wall thickness can be from 20-60mm (from front of cistern to finished wall surface)



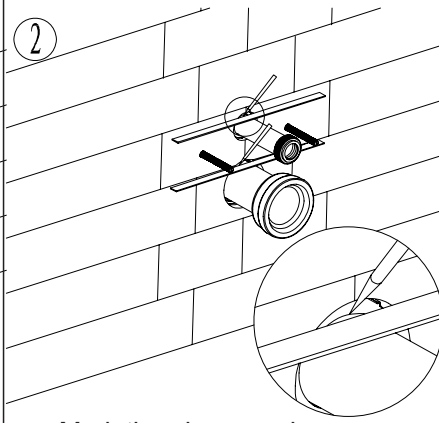
7- WC Pan installation

①



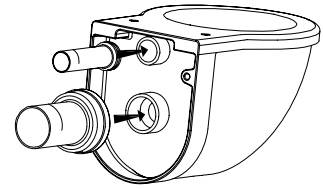
Fully insert the sewer and flush pipes into the concealed connectors

②



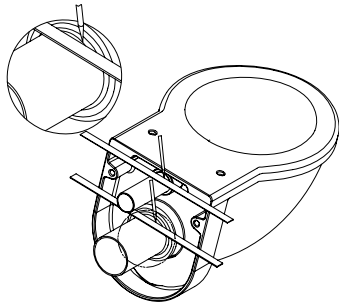
Mark the pipes as shown

③



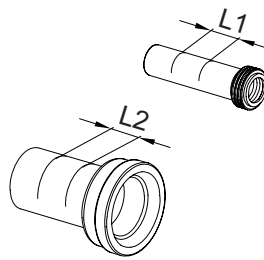
Apply lubricant to the seals and connect them to the WC spigots

④



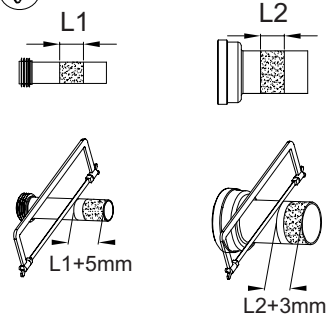
Mark the pipes as shown

⑤



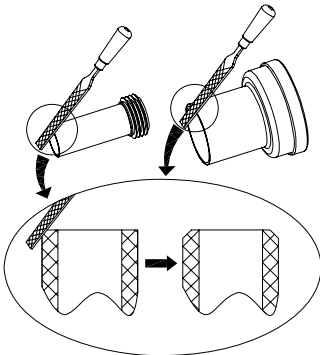
Measure the gaps between the marks on the pipes:
L1 for flush pipe
L2 for sewer pipe

⑥



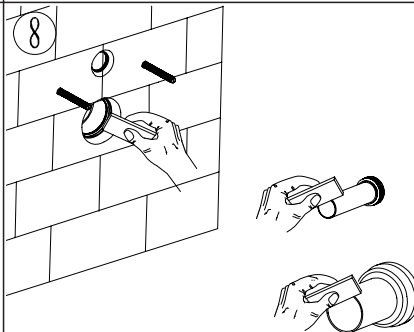
Using L1/L2 dimensions cut the pipes as shown

⑦



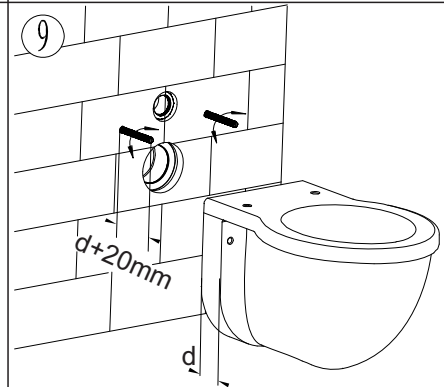
Clean and chamfer cut edge as shown

⑧



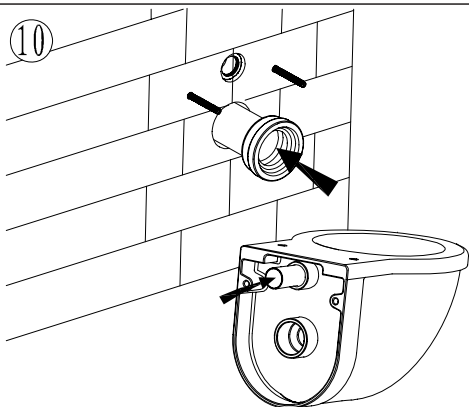
Apply lubricant to the cut pipe end

⑨



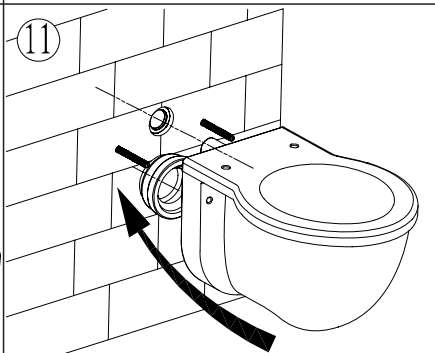
Adjust exposed pan bolt length to $d+20\text{mm}$

⑩



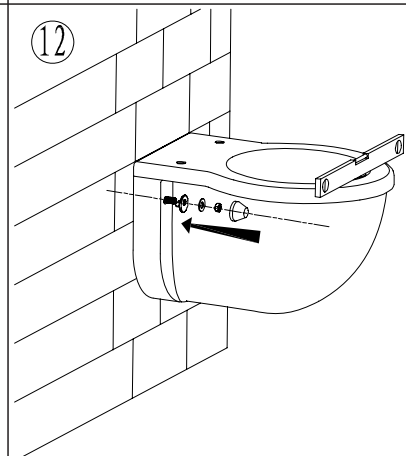
Insert the sewer pipe onto the wall connection and fit the flush pipe onto the VC inlet spigot

⑪



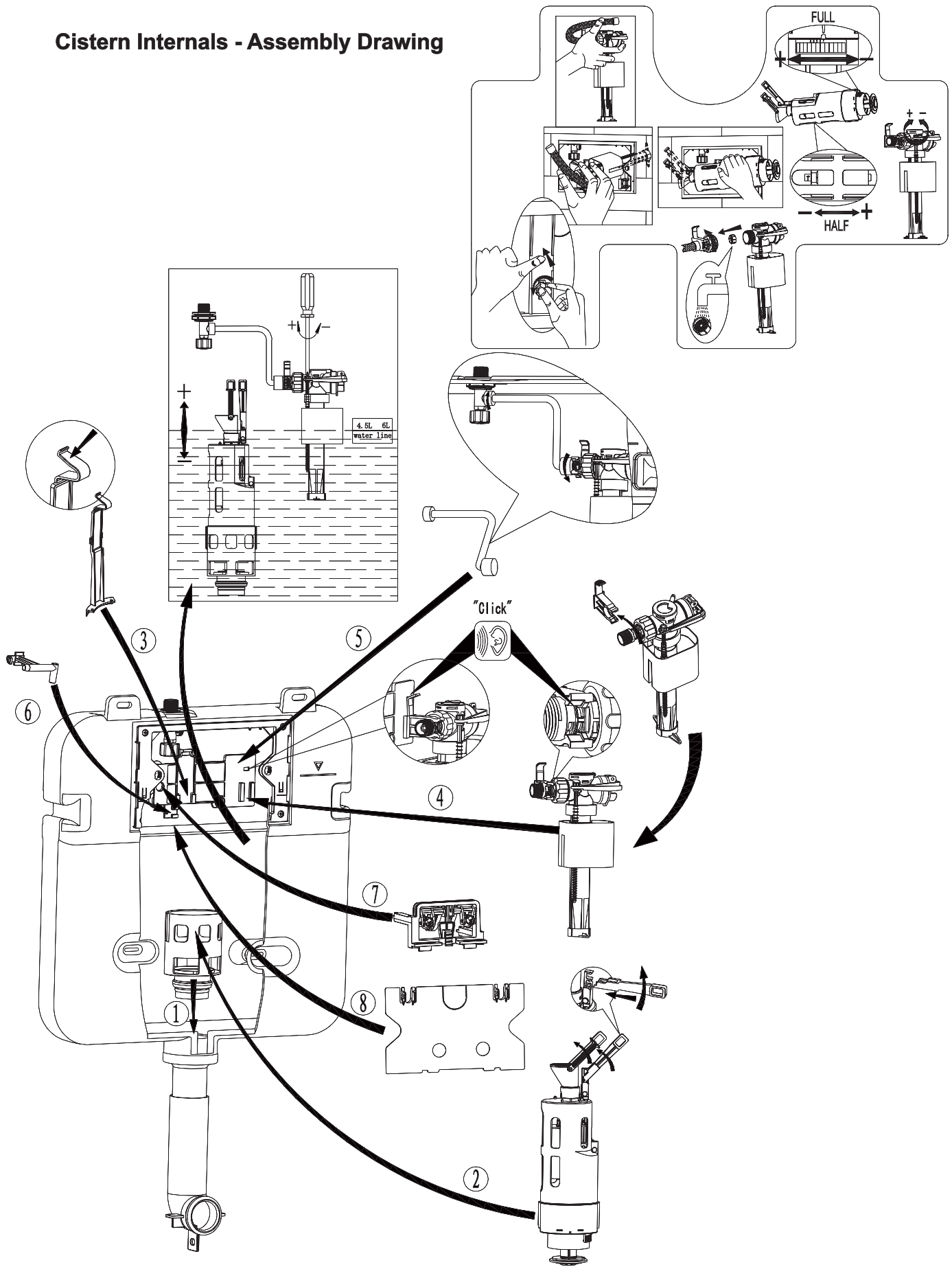
Fit the protective sleeves to the pan bolts.
A mounting pad (17) may be installed behind the WC pans and trimmed after installation

⑫



Fit the washers and bolts and tighten securely

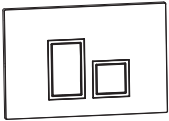
Cistern Internals - Assembly Drawing



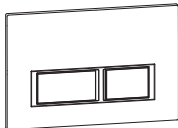
Above internal parts are all already installed in the tank and this diagram is for reference only

BUTTON INSTALLATION GUIDELINES

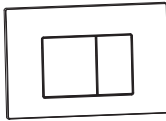
JB40



JB50



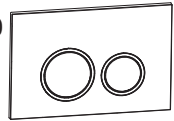
JB60



JB70

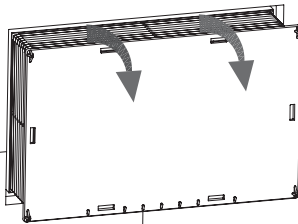


JB80



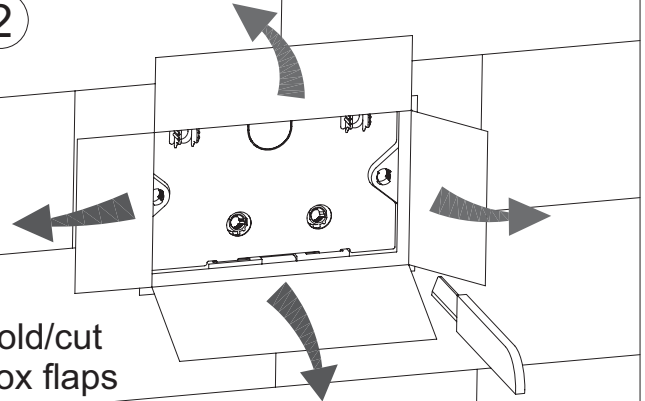
1

Remove dust cover plate



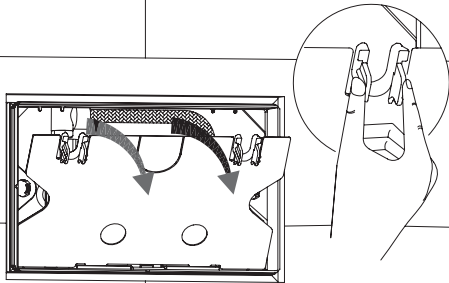
2

Fold/cut box flaps



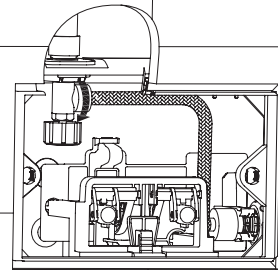
3

Unclip and remove inner face plate



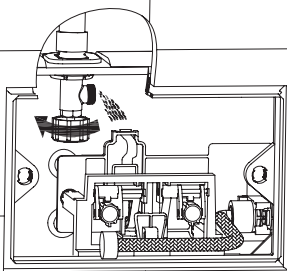
4

Unscrew water supply hose



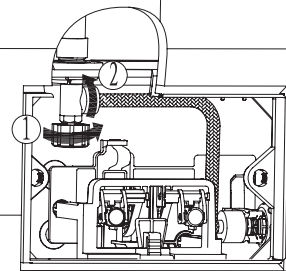
5

Open tap to flush line



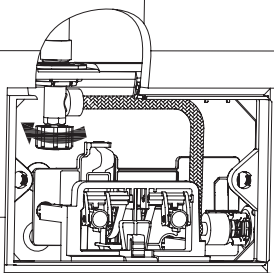
6

Turn off tap/reconnect hose



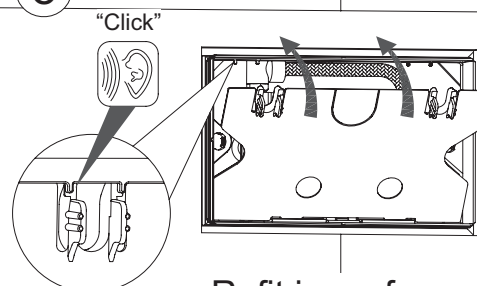
7

Turn water supply cock fully open

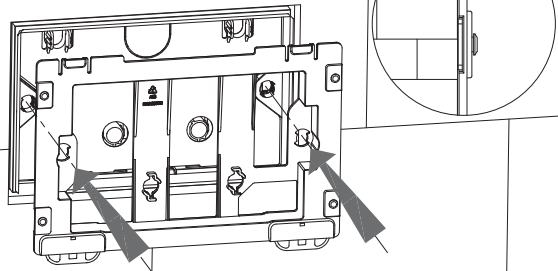


8

Refit inner face-plate



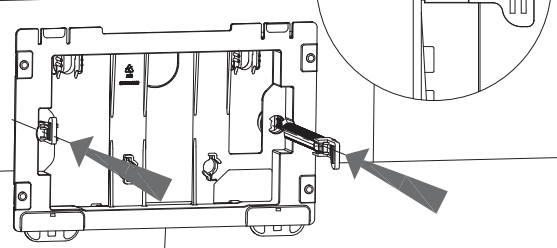
9



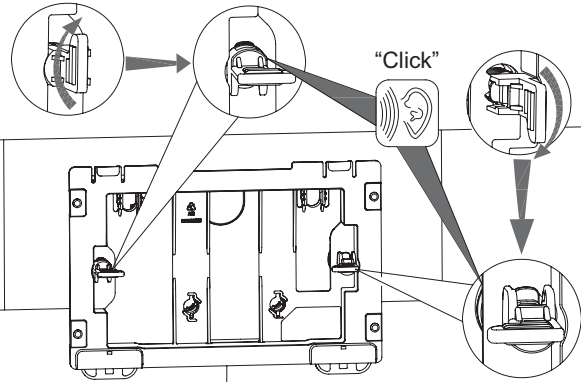
Fit button base plate

10

Fully insert locking pins



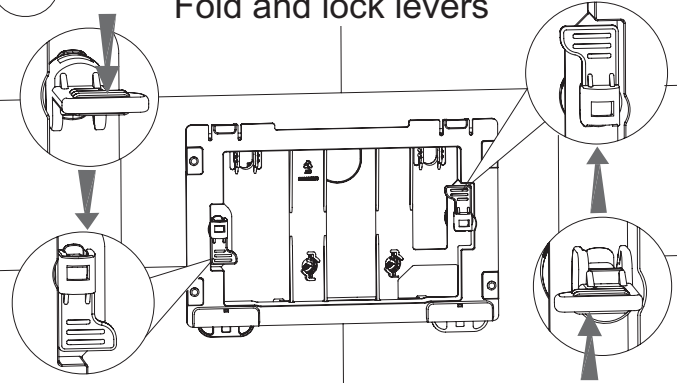
11



Twist to locate/lock pins

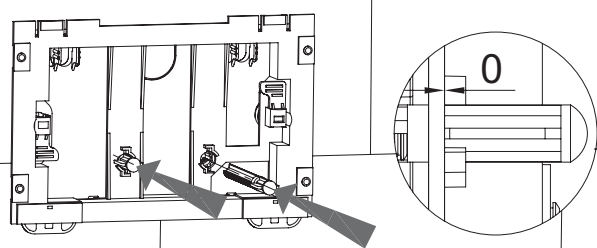
12

Fold and lock levers

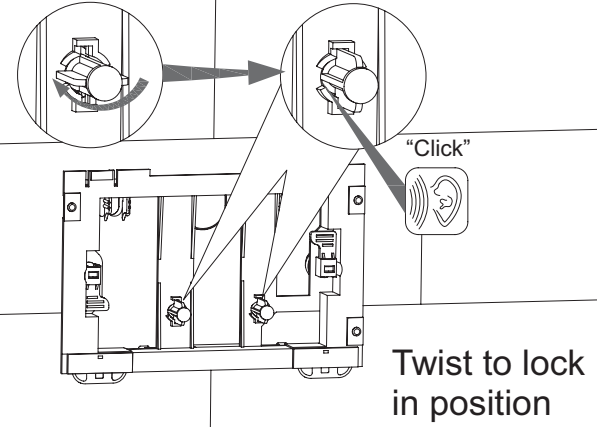


13

Fully insert actuator rods



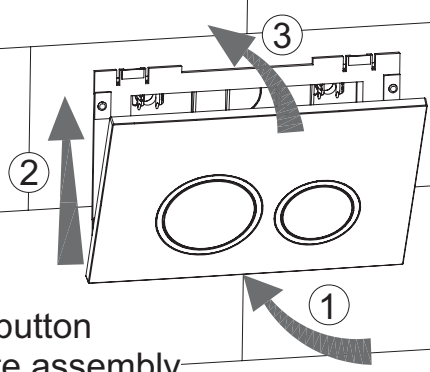
14



Twist to lock in position

15

Fit button plate assembly



16

Check full and half flush operation

