

marbletrend new flinders

SHOWER SCREEN INSTALLATION GUIDE

These installation guidelines are for the following shower screens:

Model	Door Panel Set Code	Return Panel Set Code
New Flinders 820	SSFL16CHCLP	SSFL16CHCLR
New Flinders 900	SSFL26CHCLP	SSFL26CHCLR
New Flinders 1000	SSFL40CHCLP	SSFL40CHCLR
New Flinders 1220	SSFL34CHCLP	SSFL34CHCLR
New Flinders 1500	SSFL37CHCLP	-

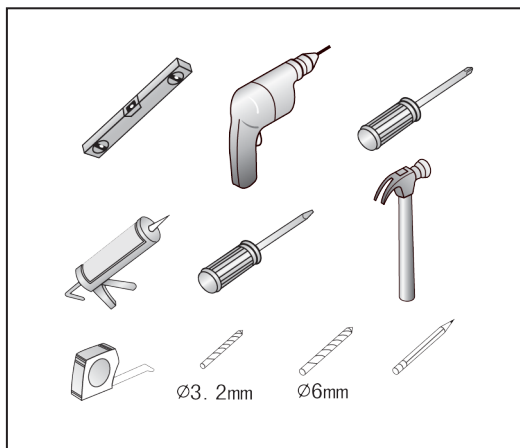
* Screen and panel codes shown are for Chrome finish option.
Matte Black finish option is also available.



IMPORTANT PRE-INSTALLATION NOTE:

- Immediately on receipt inspect the product for transit damage, missing packs/parts or manufacturing faults.
- Damage reported later cannot be accepted.
- Please handle the product with care avoiding knocks and shock loading to all sides and edges of glass.
- Damaged glass or missing parts will not be replaced under warranty if the installation process has begun.
- SAFETY GLASS CANNOT BE REWORKED, IF BROKEN IT HAS TO BE REPLACED
- Please read these instructions carefully before you start installation. Special care should be taken when drilling walls to avoid hidden pipes or electrical cables.
- Securing into a stud or timber brace is highly recommended, if unable to do so, other secure means of fixing must then be considered.

TOOLS REQUIRED

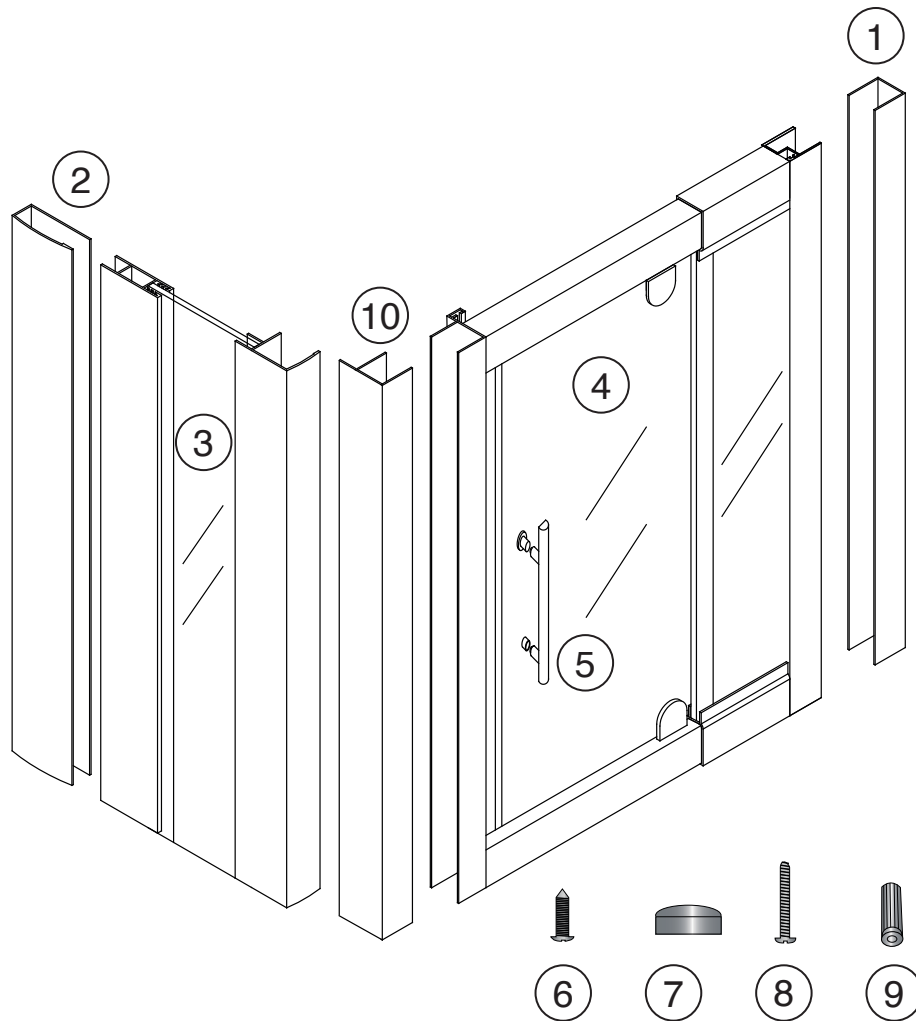


This product is heavy and awkward to handle.
Two-person installation is recommended.



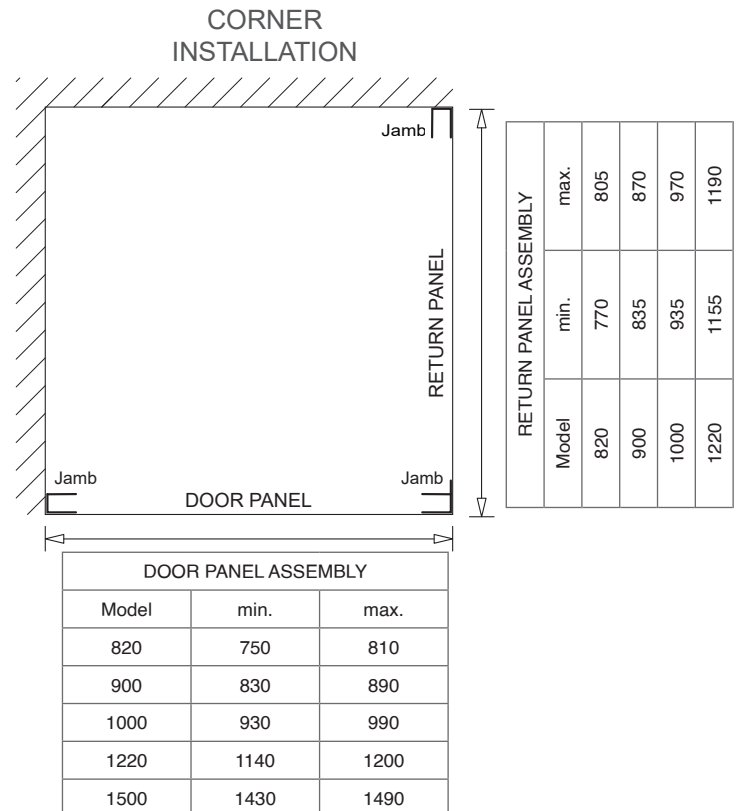
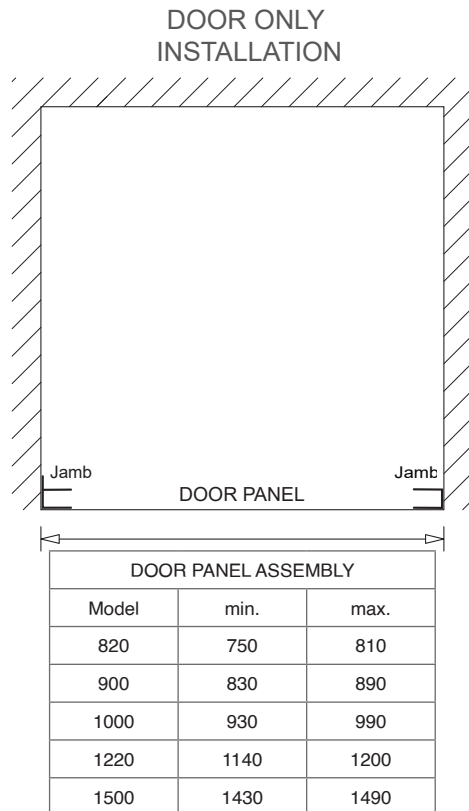
SHOWER SCREEN INSTALLATION GUIDE

ASSEMBLY COMPONENTS



1. Door panel wall jamb
2. Return panel wall jamb
3. Return panel
4. Door panel assembly
5. Handle set
6. Return panel screws - 8mm(x15)
7. Return panel screw caps(x15)
8. Door panel wall jamb screws - 35mm(x8)
9. Door panel wall jamb wall plugs(x8)
10. Door panel jamb with tab

SHOWER SCREEN INSTALLATION GUIDE



A
Measure the shower area/shower base. The measurement to the outside edge of the wall jambs must be within the minimum and maximum dimension of the panel assembly (see tables above).

Note: If using the maximum size ensure you allow for walls that may be out of plumb. If walls are 10mm out of plumb reduce your screen size by this amount.

B
Locate the jambs on the wall, ensure they are plumb and mark the outside edge of the jambs.

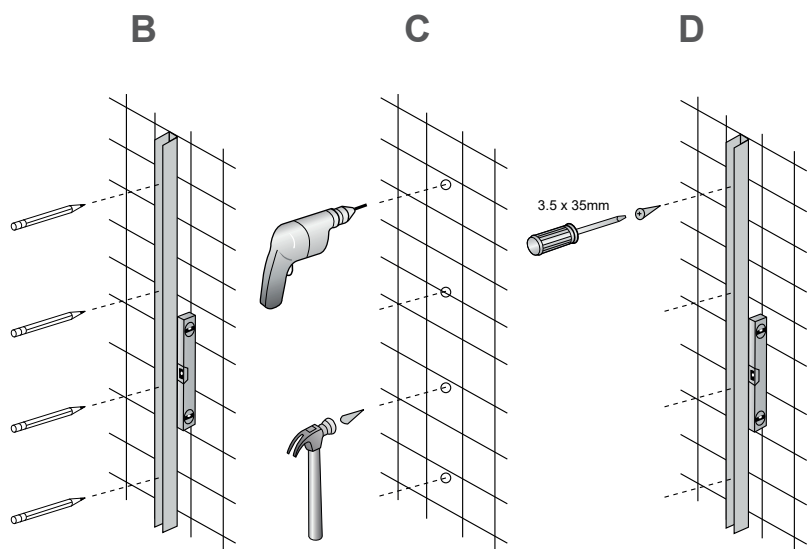
Mark the position of the pre-drilled screw holes - these are on the inside of the return panel jamb and on the tab of the door jamb.

Note that the door jamb tab must be on the inside of the shower.

C
Remove jambs and drill 6mm holes and insert the wall plugs.

Note: Use the most suitable fixings for the surface you are screwing into to ensure the jamb is securely fixed to the wall.

D
Fix the jamb to the wall using the screws provided. Confirm that the jambs are plumb.



GO TO STEPS E, F

marbletrend new flinders

SHOWER SCREEN INSTALLATION GUIDE

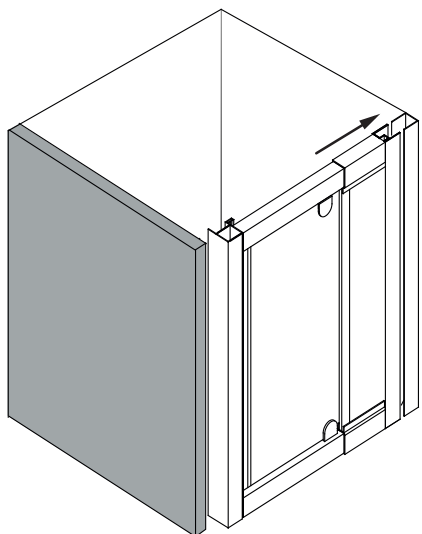
DOOR ONLY INSTALLATION

E

Slide door panel assembly into wall jamb.

Hint: Insert top or bottom corner first then the rest of the panel will slide in easily.

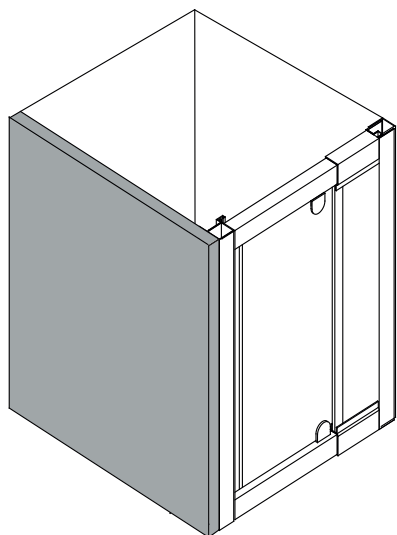
Slide the jamb onto the other end of the door panel - ensure the tab is to the inside of the enclosure.



F

Pivot the door panel assembly into position and align the wall jamb with the screw holes and the pencil line.

Fix jamb to the wall using the screws provided.



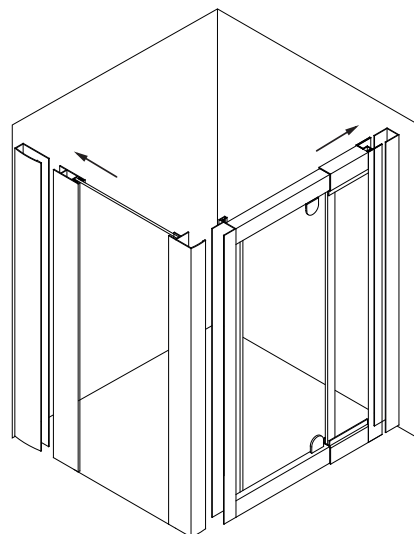
GO TO STEPS I, J

CORNER INSTALLATION

E

Slide return and door panel assemblies into respective wall jambs.

Hint: Insert top or bottom corner first then the rest of the panel will slide in easily.

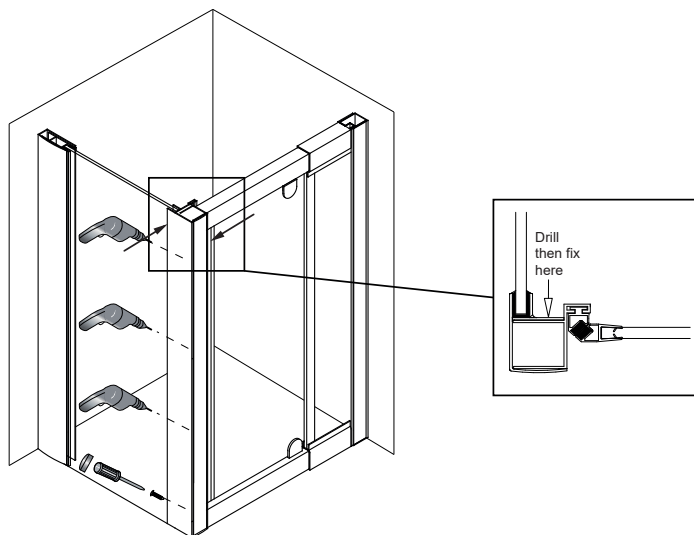


F

Slide front of return panel into floating jamb of door panel assembly.

Drill 4 equally spaced 3.2mm holes on the inside of the panel extrusion (see diagram below).

Fix the two panels together using 8mm panel screws. Affix the screw caps to the screw heads.

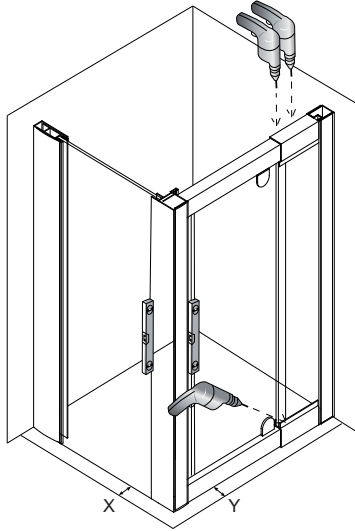


GO TO STEPS G, H, I, J

marbletrend new flinders

SHOWER SCREEN INSTALLATION GUIDE

CORNER INSTALLATION



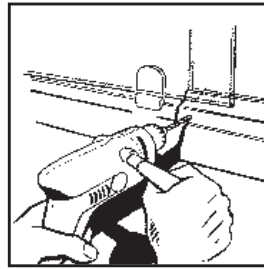
G

Adjust the door and return panels so $B=C$. This is done by sliding the fixed panel in or out of the wall jamb.

For the floating jamb the top and bottom rails of the door panel assembly slide apart for adjustment.

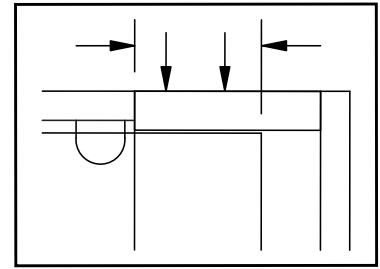
Fix the bottom rail at the location shown on the inside of the panel.

Use a level to ensure the door and return panels are plumb. Drill 3.2mm holes as shown in the top rail of the door assembly and fix with screws



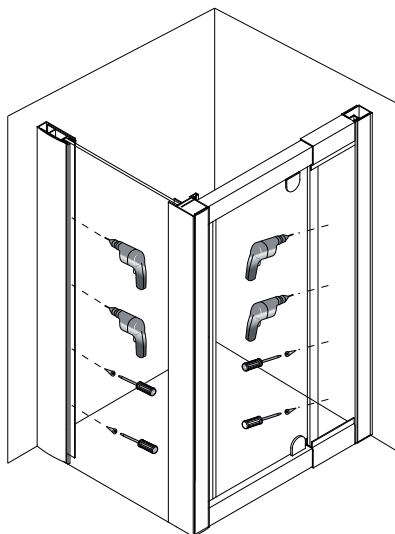
INSIDE SHOWER VIEW

Only one hole in bottom rail



FRONT SHOWER VIEW

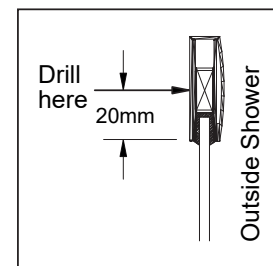
Drill 3.2mm holes between the end of the fixed glass and the end of the door



H

On the **INSIDE** of the screen drill 4 equally spaced 3.2mm holes. Ensure the holes are drilled $>20\text{mm}$ from the glass edge to clear the glass panel. The holes must penetrate the aluminium of the return panel and the door panel assemblies.

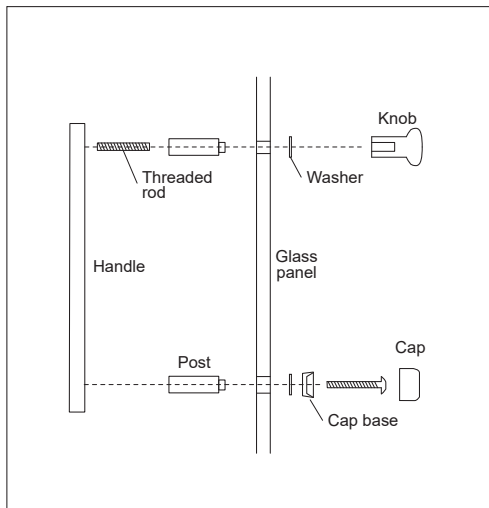
Fix wall jambs to panels using fixed panel screws and fit with screw caps.



GO TO STEPS I, J

marbletrend new flinders

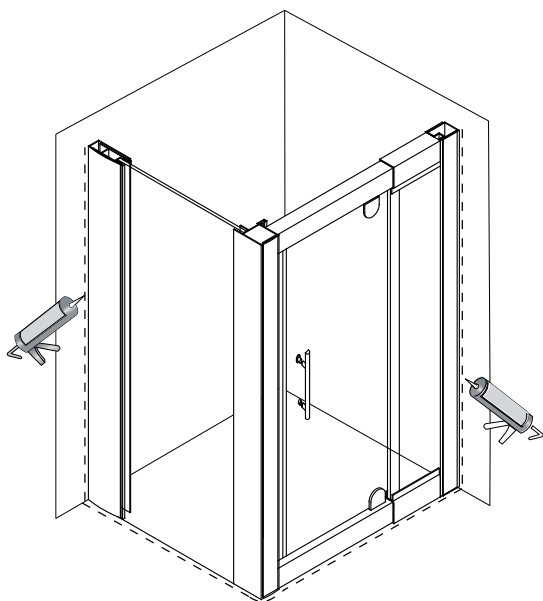
SHOWER SCREEN INSTALLATION GUIDE



I

Attach the handle to the door as shown:

1. Screw the threaded rod into the handle
2. Slide top and bottom post onto the threaded rod making sure that the post is facing the right way.
3. Locate the top and bottom posts into the holes in the glass and fix the knob onto the threaded rod. Make sure that the washer is between the glass and the knob.



J

Apply bathroom quality silicone sealant around all external joints of the shower screen.

Sealant is not used on the inside of the screen as in time water may build up within the wall jamb and then leak out of the shower area. The screen is designed to allow water to drain within the shower area.

ALLOW 24 HOURS BEFORE USING THE SHOWER



CARE INSTRUCTIONS

This shower screen has been treated with EnduroShield® easy-to-clean glass surface treatment. Please follow the care instructions affixed to the door panel to ensure that your treatment is long-lasting.

After use, your shower should be cleaned with mild detergent and water. This is particularly important in hard water areas where insoluble lime salts may be deposited and allowed to build up.

Cleaners of an abrasive/gritty nature should not be used. Care should be taken to avoid contact with strong chemicals such as organic solvents and strippers. Glass cleaners can be used but with caution. If in doubt please contact the manufacturer of the cleaner in question.

Please keep these instructions for aftercare and customer service details.