

marbletrend flinders

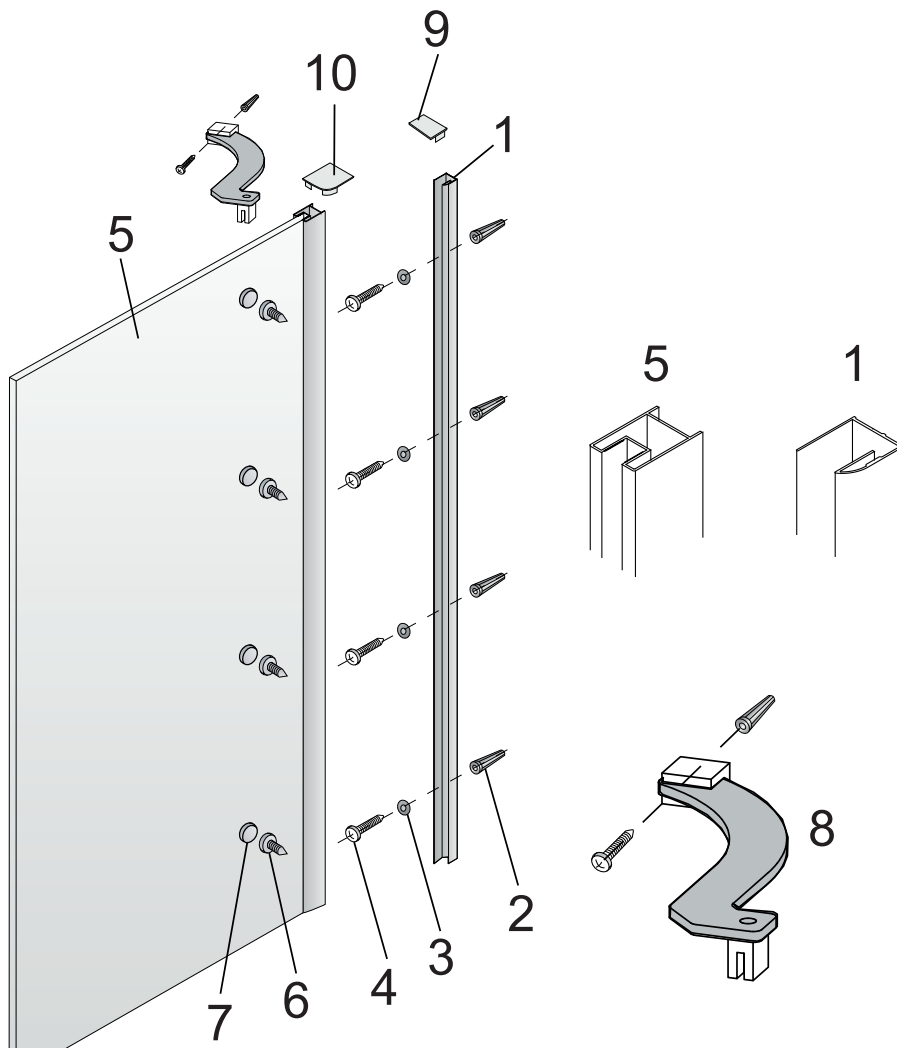
JohnsonSuisse
Bathroom Solutions

GLASS SHOWER PANEL INSTALLATION INSTRUCTIONS

DIMENSIONS

CODE

2000(H) x 865-890mm	SSSP26CHCLP
2000(H) x 1165-1190mm	SSSP34CHCLP



COMPONENTS

1. Wall jamb
2. 4 x 6mm anchors
3. 4mm SS washer
4. 4 x 3.5x35mm SS screws
5. Fixed panel
6. 4 x 3.9x8mm SS screws
7. 4 x screw caps
8. Support arm assembly
9. Wall jamb cap
10. 2 x cover caps for fixed panel(L/R)

INSTALLATION STEPS

STEP 1

- Place jamb fitting (1) on wall ensuring it is plumb and level. Mark screw hole positions.
- Drill 6mm holes x 35mm deep. Insert 6mm anchors (2).
- Fix jamb to wall with 3.5x35mm SS screws (3) and 4mm SS washers (4).

STEP 2

- Insert fixed panel (5) into wall jamb (1)
- Drill 4 x 3.2mm holes and fix panel (5) to jamb using 3.9x8mm SS screws. Affix plastic screw caps (7) over screw heads.

STEP 3

- Place support arm (8) in position on top of the fixed

- panel and mark the screw hole positions. Drill 6mm holes x 35mm deep. Insert 6mm anchors (2).
- Fix support arm using 3.5x35mm SS screw (3) and 4mm SS washer (4).
- Tighten grub screw to fixed panel ensuring it is level and plumb.

STEP 4

- Place wall jamb cap (8) on jamb and place cover cap (10) on fixed panel.

STEP 5

- Apply silicone sealant around external joints only of wall jamb and fixed panel.
- Allow 24 hours for sealant to cure.