

These installation guidelines relate to the following shower screen models:

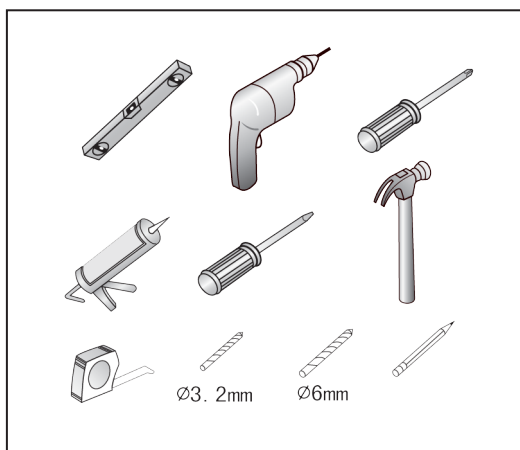
Model	Code	Door + Panel Dimension	
		min.	max.
900 x 900	KSSDA26CHCLS	850	875
1000 x 1000	KSSDA40CHCLS	950	975



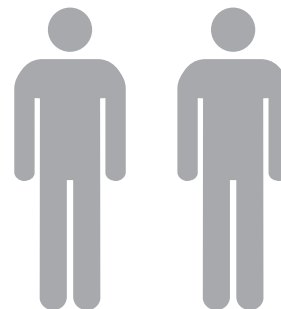
IMPORTANT PRE-INSTALLATION NOTE:

- Immediately on receipt inspect the product for transit damage, missing packs/parts or manufacturing faults.
- Damage reported later cannot be accepted.
- Please handle the product with care avoiding knocks and shock loading to all sides and edges of glass.
- Damaged glass or missing parts will not be replaced under warranty if the installation process has begun.
- SAFETY GLASS CANNOT BE REWORKED, IF BROKEN IT HAS TO BE REPLACED
- Please read these instructions carefully before you start installation. Special care should be taken when drilling walls to avoid hidden pipes or electrical cables.
- Securing into a stud or timber brace is highly recommended, if unable to do so, other secure means of fixing must then be considered.

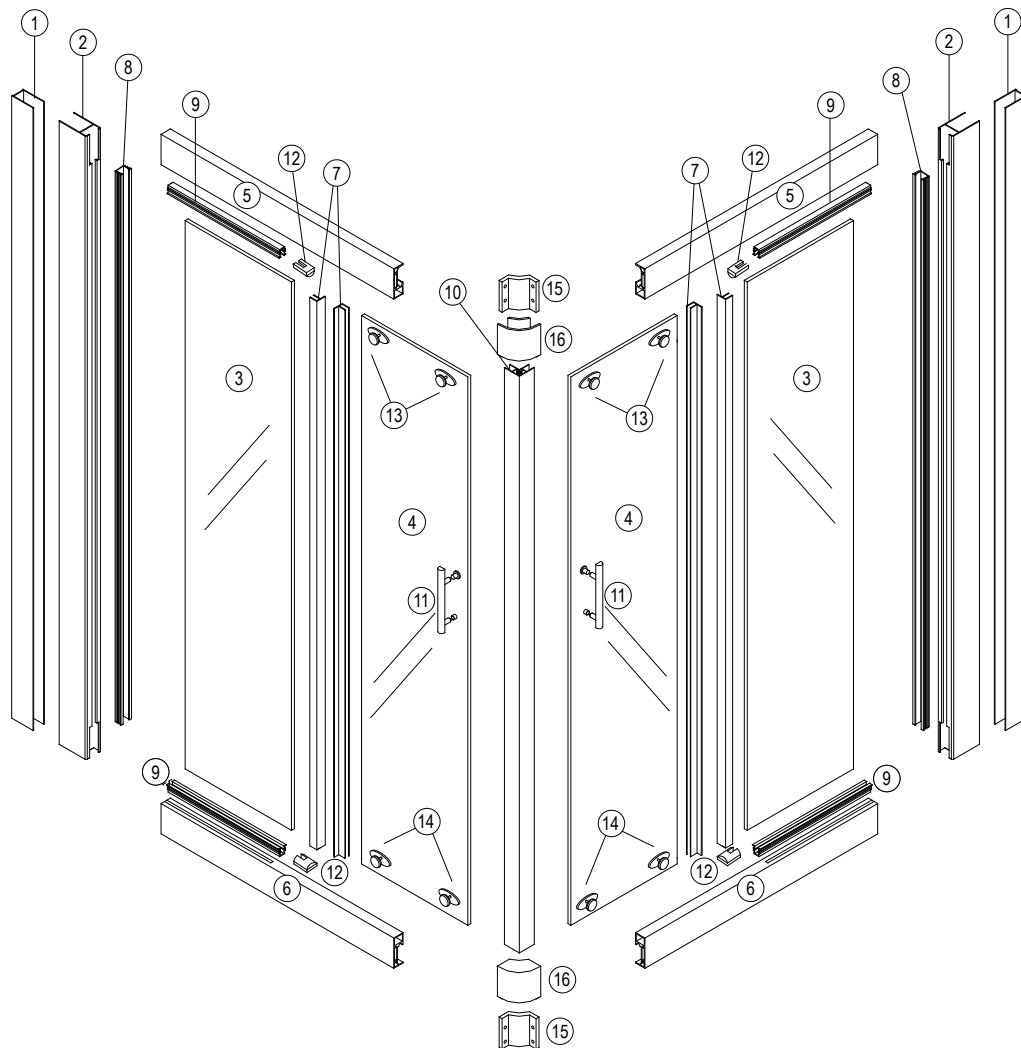
TOOLS REQUIRED



This product is awkward to handle.
Two people may be required at times
during installation.



ASSEMBLY COMPONENTS



COMPONENT LIST

- | | |
|--------------------------------|----------------------------------|
| 1. 2 x wall jambs | 9. 4 x fixed panel - short seal |
| 2. 2 x fixed panel extrusions | 10. 2 x magnetic sealing strips |
| 3. 2 x fixed panels | 11. 2 x handle set |
| 4. 2 x sliding doors | 12. 4 x fixed panel blocks |
| 5. 2 x top rails | 13. 4 x top roller assemblies |
| 6. 2 x bottom rails | 14. 4 x bottom roller assemblies |
| 7. 4 x sealing strips | 15. 2 x junction blocks |
| 8. 2 x fixed panel - long seal | 16. 2 x junction block covers |

CORNER ENTRY SHOWER SCREEN INSTALLATION GUIDE

A

Measure the shower area/shower base. The measurement to the outside edge of the wall jambs must be within the minimum and maximum dimension of the panel assembly (see table):

SCREEN SIZE		
Model	min.	max.
900x900	850	875
1000x1000	950	975

Note: If using the maximum size ensure you allow for walls that may be out of plumb. If walls are 10mm out of plumb reduce your screen size by this amount.

B

Locate the jambs on the wall, ensure they are plumb and mark the outside edge of the jambs.

Mark the position of the pre-drilled screw holes - these are on the inside of the return panel jamb and on the door jamb.

Note that the door jamb tab must be on the inside of the shower.

C

Remove jambs and drill 6mm holes and insert the wall plugs.

Note: Use the most suitable fixings for the surface you are screwing into to ensure the jamb is securely fixed to the wall.

D

Fix the jamb to the wall using the screws provided.

Confirm that the jambs are plumb.

E

Slide fixed panel assemblies into wall jambs (1).

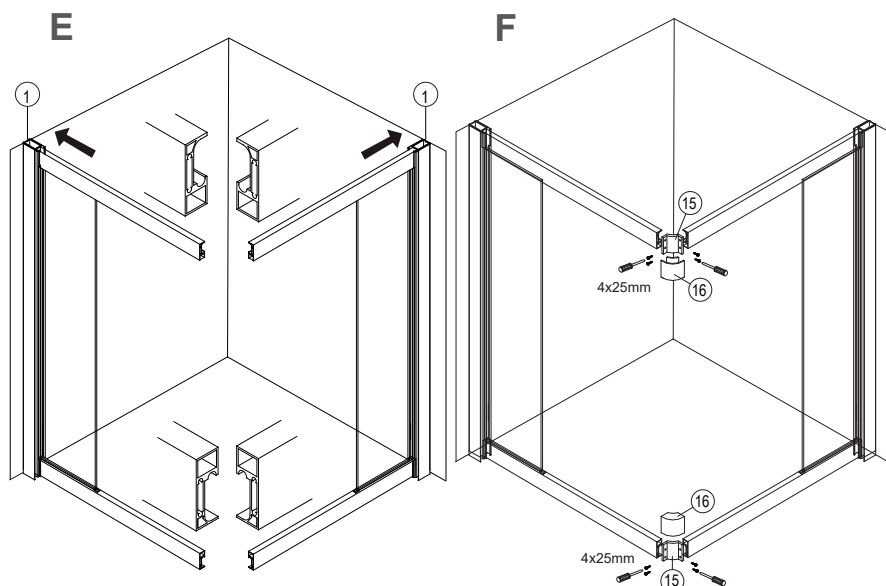
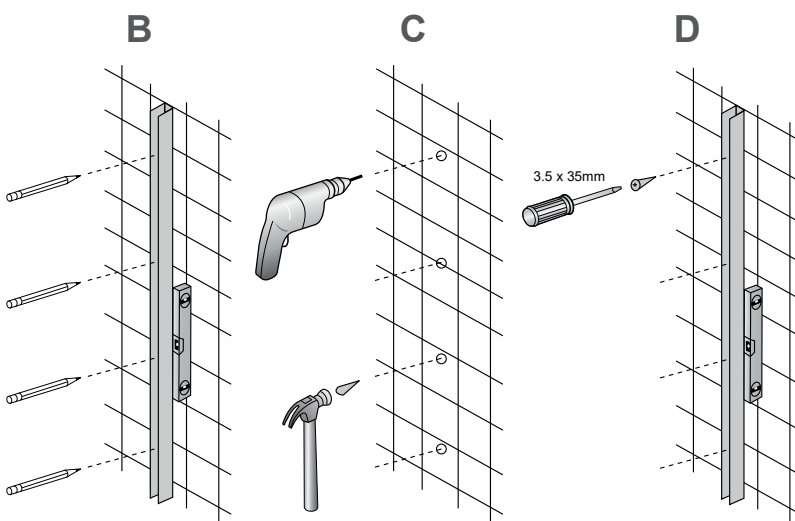
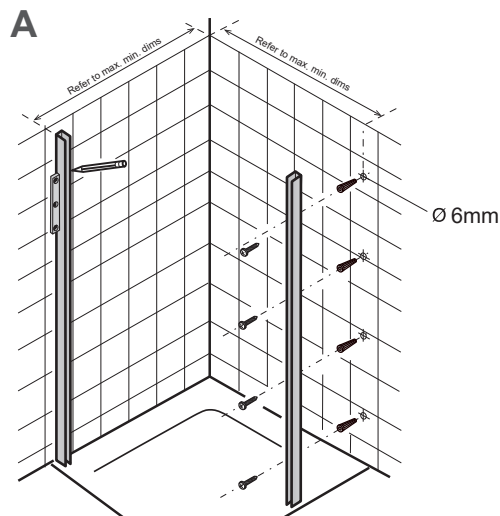
Hint: Insert top or bottom corner first then the rest of the panel will slide in easily.

Recommendation: apply silicone sealant into corners to ensure a leak-free joint

F

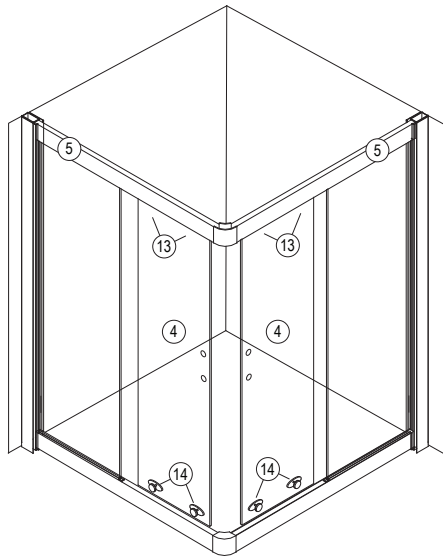
Join the two fixed panel assemblies together using the junction block (15) and the screws provided.

Cover the join with the junction block covers (16).



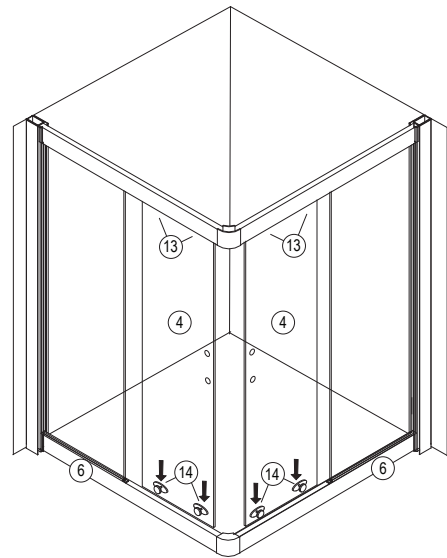
G

Hang the sliding doors(4) into the top rails(5).
Make sure that the top rollers are to the top and the handle location is correct.
Note: Bottom rollers are spring-loaded.



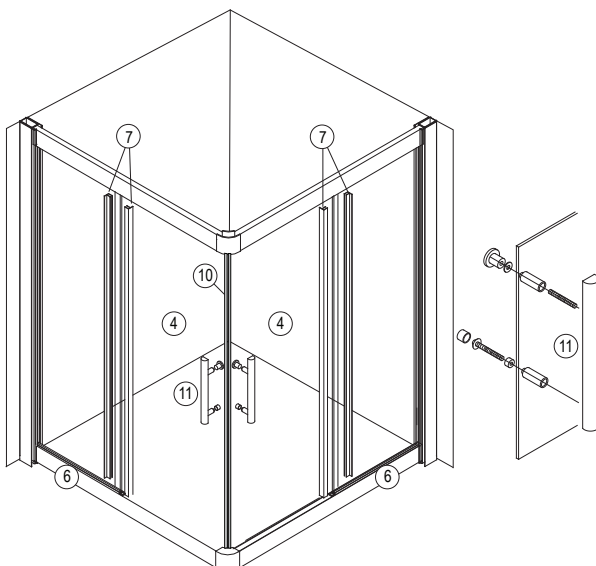
H

Clip the bottom of the door(13) in the bottom rail(6).
The rollers (14) are pressed down to allow the rollers to be clipped into the rail.



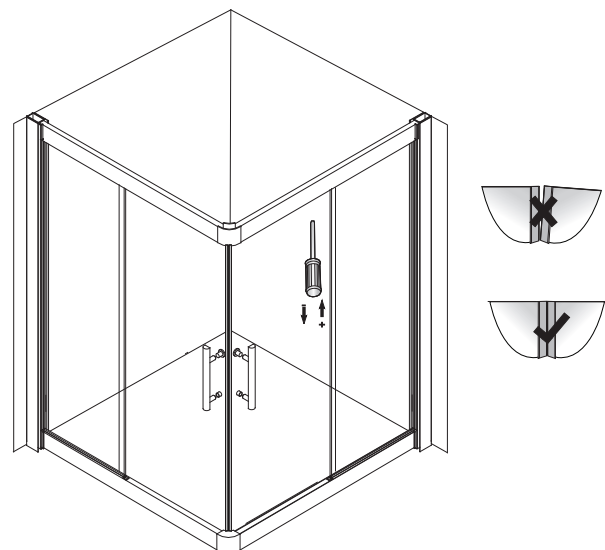
I

Push the sealing strips(7) onto the fixed panels and doors.
Attach the door handles(11) to the doors, making sure there is a washer between the glass and the handle.
Push the magnetic sealing strip(10) onto the sliding doors.



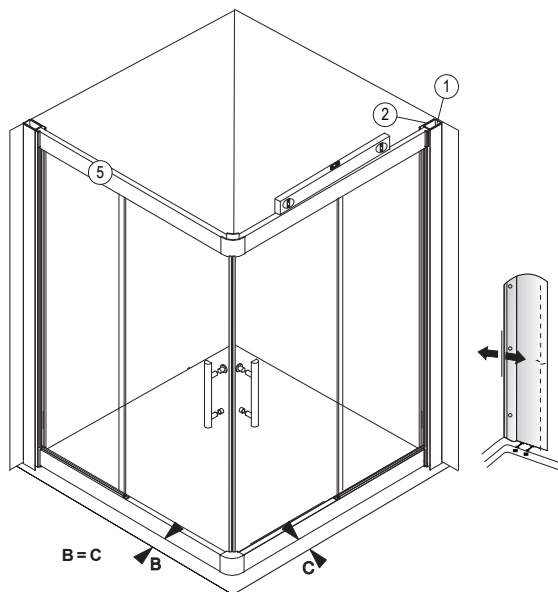
J

Adjust the sliding doors(4) using the screws located on the bottom of top roller assemblies(13).
Adjust rollers so that the sliding doors(4) are parallel to the fixed panels(3) and align with each other.
Note: Do not overtighten top rollers as this may cause the bottom rollers to jam or break.



K

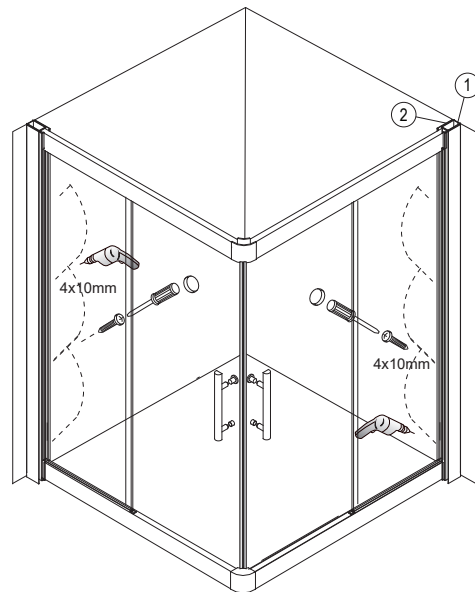
Adjust fixed panel extrusions(2) in or out on the wall jambs(1) so that the top rail(5) is horizontal and the whole screen sits square on the shower base/shower area and dimension B = C.



L

Drill 4 equally spaced holes on the inside of the screen.

Secure wall jambs(1) to the fixed panel extrusion(2) using the screws supplied and cap all screws.

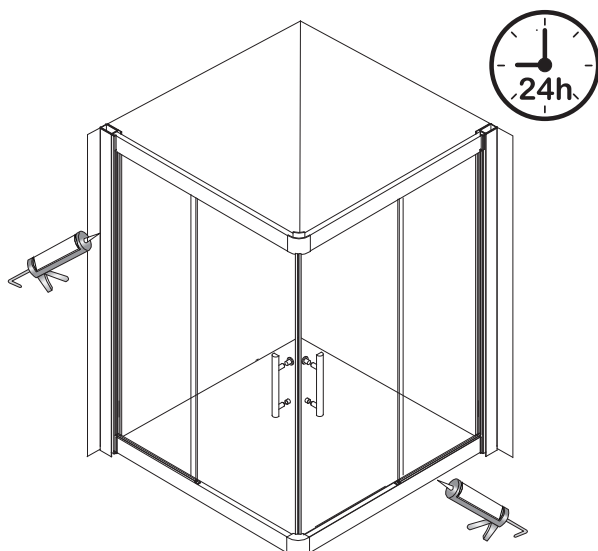


M

Apply bathroom quality silicone sealant around all external joints of the shower screen.

Sealant is not used on the inside of the screen as water may build up within the wall jamb and then leak out of the shower area. The screen is designed to allow water to drain within the shower area.

ALLOW 24 HOURS BEFORE USING THE SHOWER



CARE INSTRUCTIONS

This shower screen has been treated with EnduroShield® easy-to-clean glass surface treatment. Please follow the care instructions affixed to the door panel to ensure that your treatment is long-lasting.

After use, your shower should be cleaned with mild detergent and water. This is particularly important in hard water areas where insoluble lime salts may be deposited and allowed to build up.

Cleaners of an abrasive/gritty nature should not be used. Care should be taken to avoid contact with strong chemicals such as organic solvents and strippers. Glass cleaners can be used but with caution. If in doubt please contact the manufacturer of the cleaner in question.

Please keep these instructions for aftercare and customer service details.