

CORSICA

SLIDER

SHOWER SCREEN INSTALLATION GUIDE

These installation guidelines relate to the following shower screen components:

Model*	Front Panel Set	Model*	Return Panel Set
1220 Chrome	SSD534CHS	900 Chrome	SSD526CHR
1220 Matte Black	SSD534BLS	900 Matte Black	SSD526BLR
1500 Chrome	SSD537CHS	1000 Chrome	SSD540CHR
1500 Matte Black	SSD537BLS	1000 Matte Black	SSD540BLR

* Actual sizes:

1220 models - 1180 - 1225mm

1500 models - 1460 - 1505mm

* Actual sizes:

900 models - 860 - 905mm

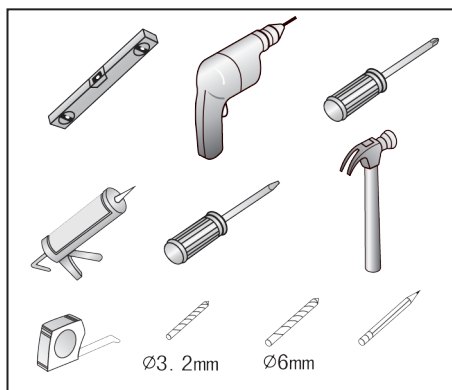
1000 models - 960 - 1005mm



IMPORTANT PRE-INSTALLATION NOTE:

- Immediately on receipt inspect the product for transit damage, missing packs/parts or manufacturing faults.
- Damage reported later cannot be accepted.
- Please handle the product with care avoiding knocks and shock loading to all sides and edges of glass.
- Damaged glass or missing parts will not be replaced under warranty if the installation process has begun.
- SAFETY GLASS CANNOT BE REWORKED, IF BROKEN IT HAS TO BE REPLACED
- Please read these instructions carefully before you start installation. Special care should be taken when drilling walls to avoid hidden pipes or electrical cables.
- Securing into a stud or timber brace is highly recommended, if unable to do so, other secure means of fixing must then be considered.

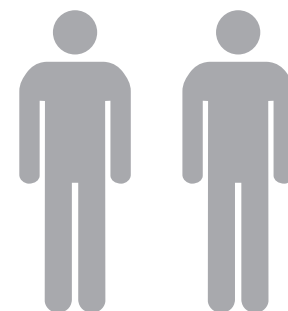
TOOLS REQUIRED



- 6mm masonry drill bit
- 3.5mm metal drill bit
- Power drill
- Neutral-cure silicone
- Silicone gun
- Pencil
- Tape measure
- Philips head screw driver
- Spirit level with horizontal and vertical level indicators
- Knife

This product is heavy and awkward to handle.

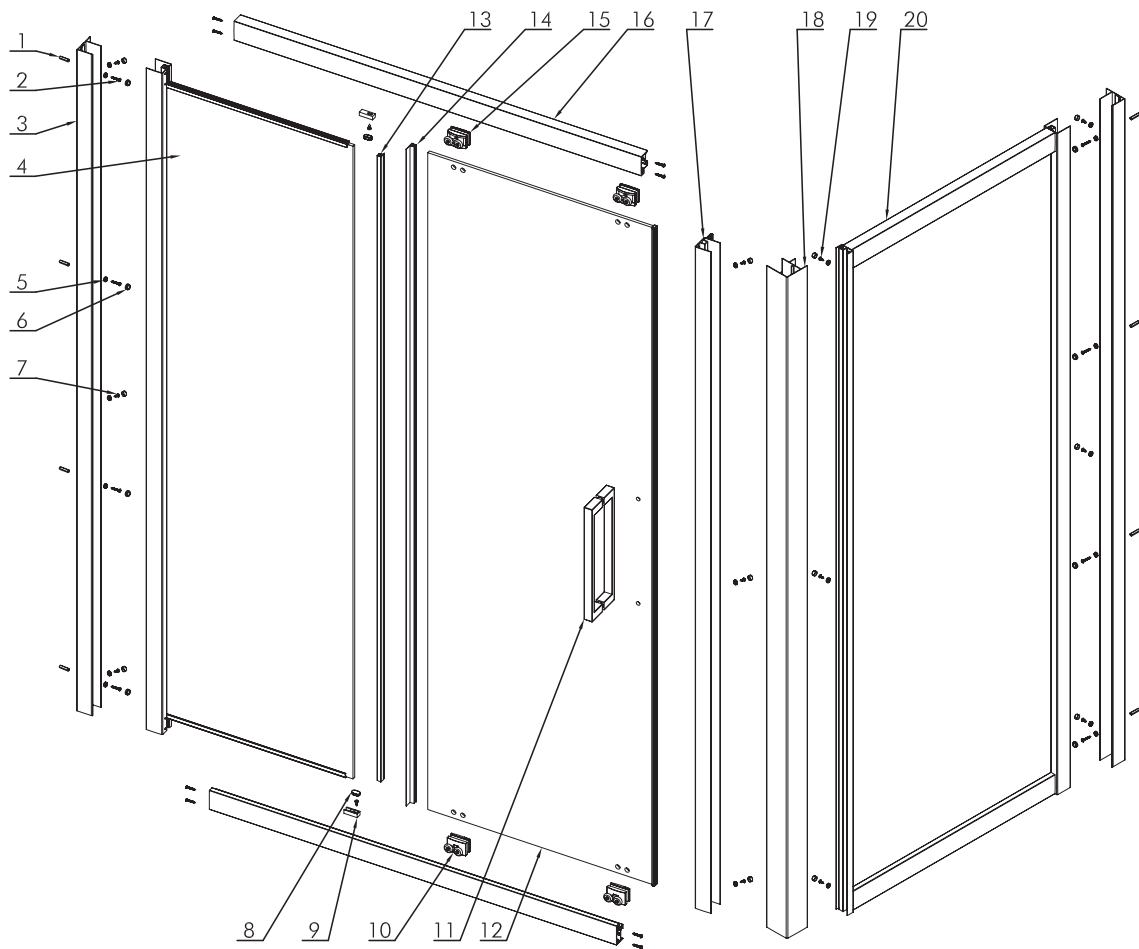
Two-person installation is recommended.



CORSICA

SLIDER

SHOWER SCREEN INSTALLATION GUIDE



- | | |
|---------------------------------|---|
| 1. 8 x Wall plugs | 11. 1 x Handle |
| 2. 16 x ST4x30 B-head screws | 12. 1 x Moving panel |
| 3. 2 x Wall profiles | 13. 1 x Fixed panel upright water seal |
| 4. 1 x Return panel (assembled) | 14. 1 x Moving panel upright water seal |
| 5. 14 x Screw cover inner caps | 15. 2 x Top roller
8 x hex screw cover caps |
| 6. 14 x Screw cover caps | 16. 2 x Track |
| 7. 8 x ST4x12 B-head screws | 17. 1 x Magnetic wall profile |
| 8. 2 x Glass clip cover | 18. 1 x Corner profile |
| 9. 2 x Glass clip | 19. 3 x ST4x8 flat head screws (without cuspidal) |
| 10. 2 x Bottom roller | 20. 1 x Side panel |

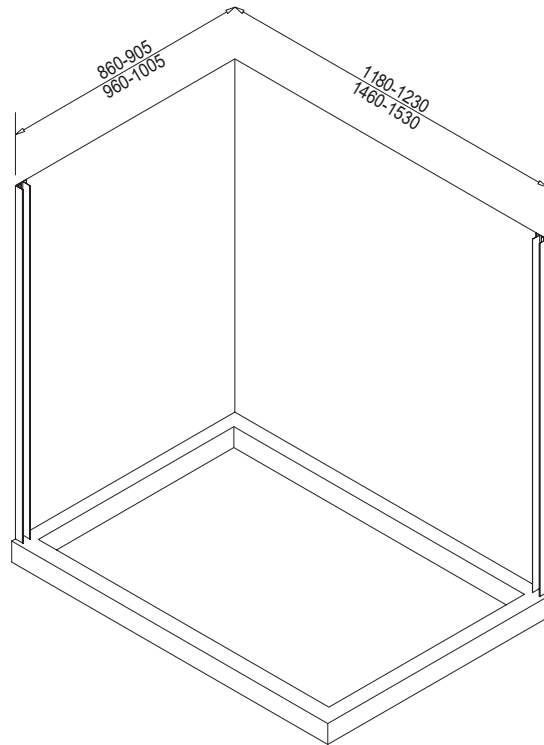
CORSICA

SLIDER

SHOWER SCREEN INSTALLATION GUIDE

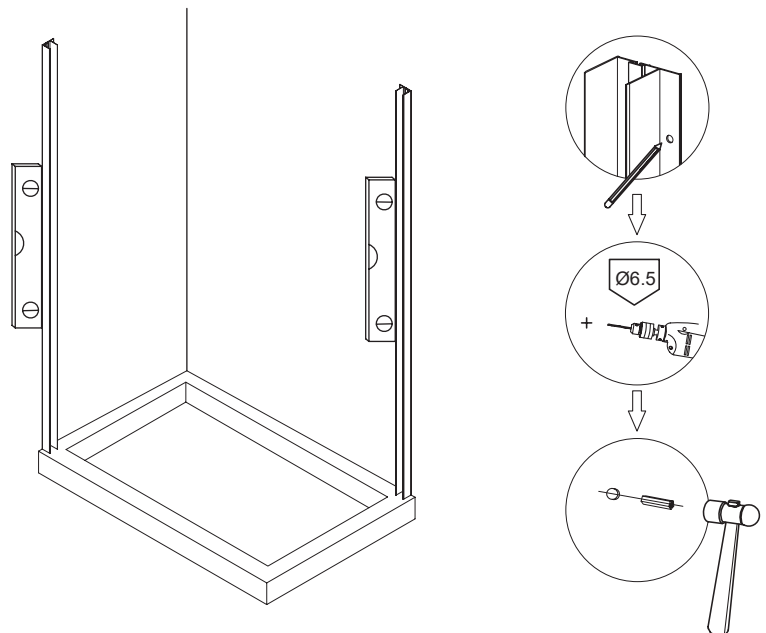
SITE PREPARATION

- Ensure floor area where screen is to be installed is completely level.
- Check measure the screen size indicated on the carton to confirm it suits the intended area of installation.



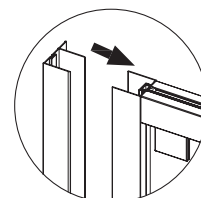
1

- Adjust wall profile to ensure it is vertical to the tray.
- Mark holes on the wall through the holes on the wall profile.
- Drill holes and insert wall plugs.



2

Insert the wall profile to pre-assembled door panel and move to the installation position



CORSICA

SLIDER

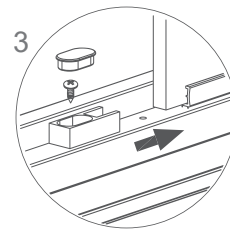
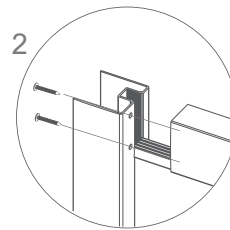
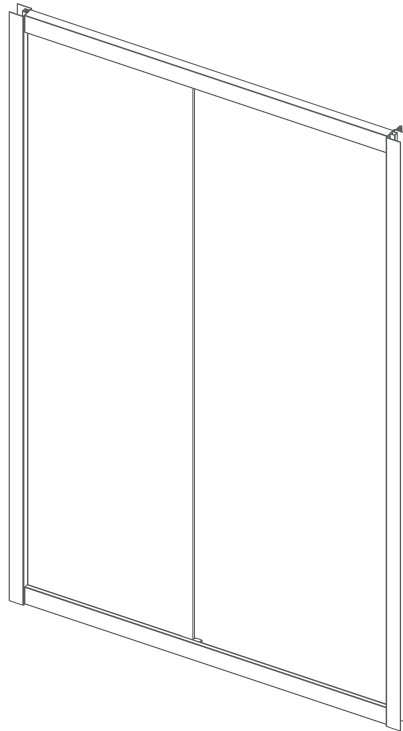
SHOWER SCREEN INSTALLATION GUIDE

2

Fix the adjustable profiles to top and bottom tracks using ST4x30 B head screws to make frame.

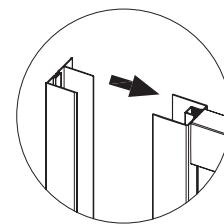
3

Fix the wall profile to wall using ST4x30 B head screws. Apply screw cover caps. Apply screw inner and cover caps.



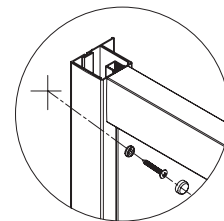
4

Fix wall profile to the frame near the moving panel side. Move the frame to the installation position.



5

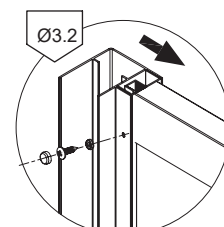
Fix the wall profile to wall using ST4x30 B head screws. Apply screw inner and cover caps.



6

Fix the corner profile to side panel, drill hole on the overlap of corner profile and the side panel upright profile through the predrilled holes, and fix using flat head screws.

Fit on screw cover caps.



CORSICA

SLIDER

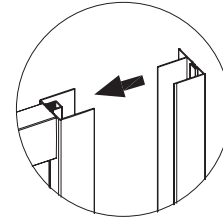
SHOWER SCREEN INSTALLATION GUIDE

7

Fit the wall profile to the side panel.

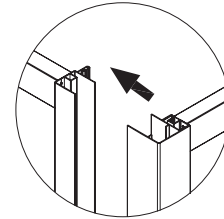
Drill 3.2mm holes on the overlap of vertical through pre-drilled holes.

Fix with ST4x12 screws. Apply screw inner and cap covers.



8

Fix the side panel to the front panel and affix the side panel to the wall.



9

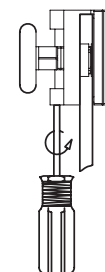
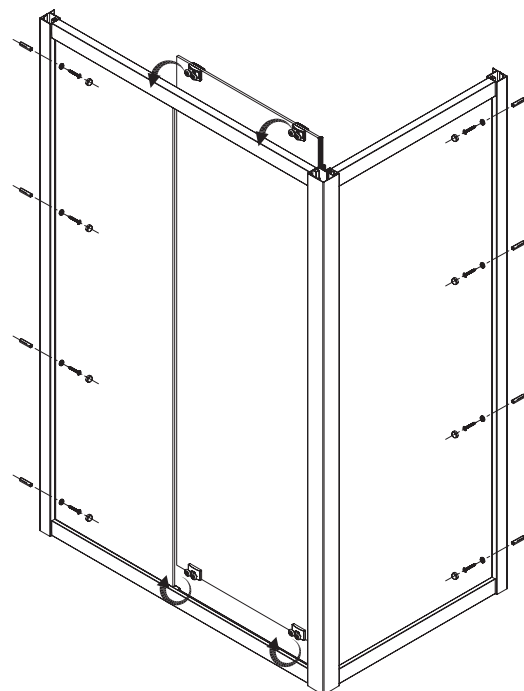
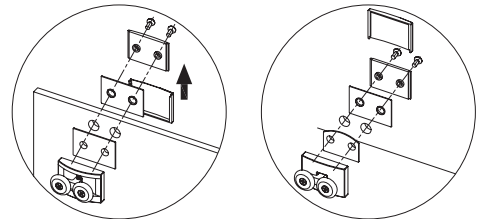
Fit the roller to the moving panel, then hang the top roller to top track and push the bottom roller into the bottom track.

Adjust the bottom screws of the top rollers to make the door close perfectly.

If one of the top rollers is adjusted to its maximum and the door still does not close squarely stop adjusting it to avoid permanent damage.

Start to adjust another roller until it closes perfectly.

Apply vaseline on the top and bottom tracks to ensure the rollers slide smoothly.



CORSICA

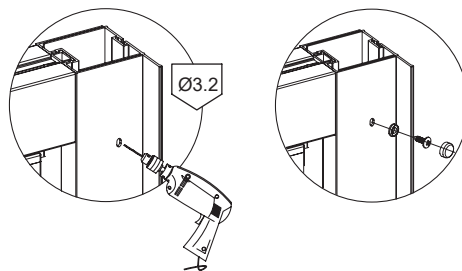
SLIDER

SHOWER SCREEN INSTALLATION GUIDE

10

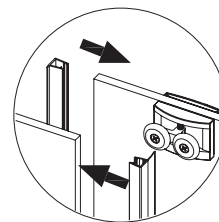
Drill 3.2mm holes on the overlap of vertical through pre-drilled holes.

Fix with ST4x12 screws. Apply screw inner and cap covers.



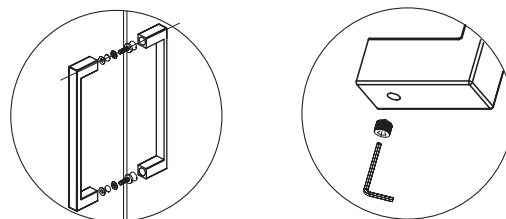
11

Fix the upright water seal to the fixed panel(long fin) and the moving panel(short fin).



12

Fit the handle on the moving panel.

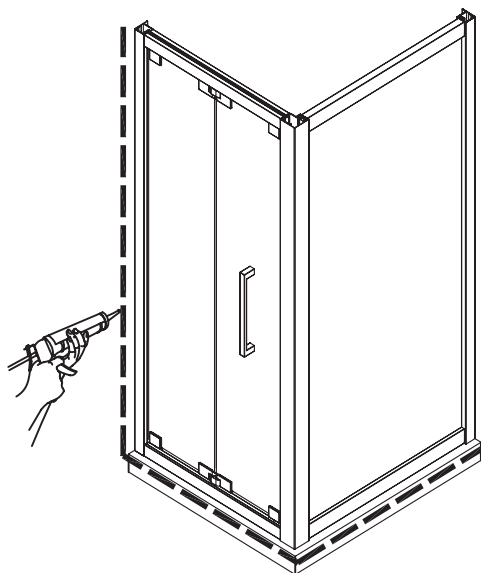


13

Apply bathroom quality silicone sealant around all external joints of the shower screen.

Sealant is not used on the inside of the screen as in time water may build up within the wall jamb and then leak out of the shower area. The screen is designed to allow water to drain within the shower area.

ALLOW 24 HOURS BEFORE USING THE SHOWER



CARE INSTRUCTIONS

This shower screen has been treated with EnduroShield® easy-to-clean glass surface treatment. Please follow the care instructions affixed to the door panel to ensure that your treatment is long-lasting.

After use, your shower should be cleaned with mild detergent and water. This is particularly important in hard water areas where insoluble lime salts may be deposited and allowed to build up.

Cleaners of an abrasive/gritty nature should not be used. Care should be taken to avoid contact with strong chemicals such as organic solvents and strippers. Glass cleaners can be used but with caution. If in doubt please contact the manufacturer of the cleaner in question.

Please keep these instructions for aftercare and customer service details.