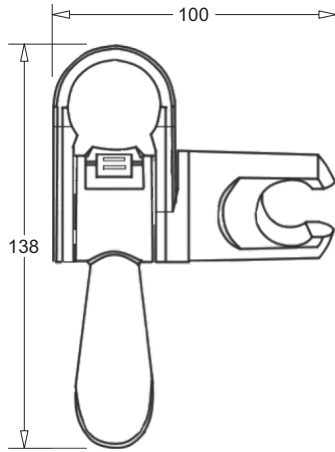


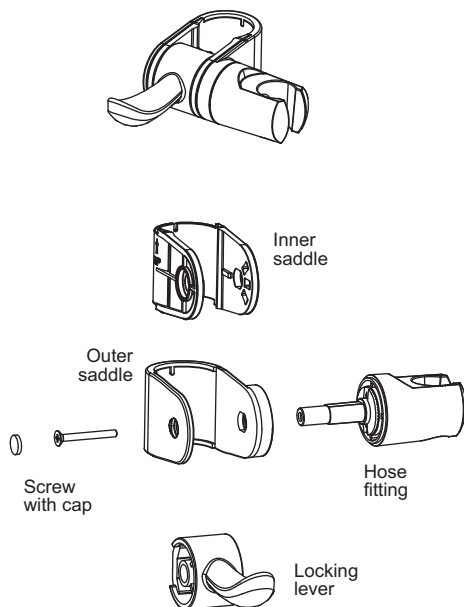
Installation Guidelines

Hand Shower Bracket for 32mm Grabrails

CODE: CAC02

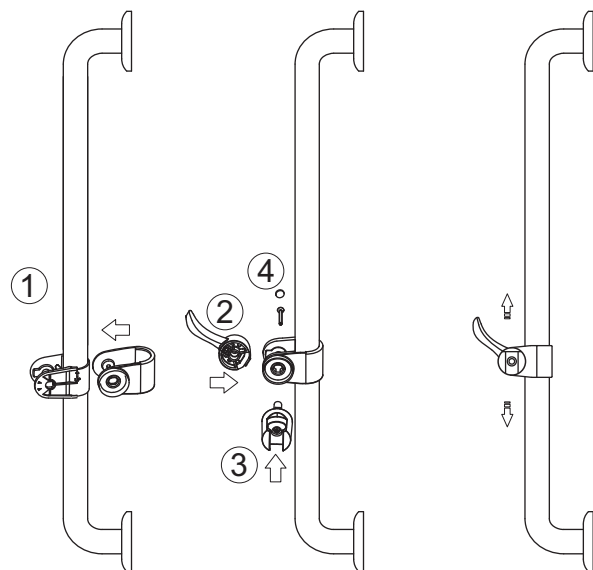


COMPONENTS



ASSEMBLY

1. Disassemble the bracket to enable it to be placed over the grabrail
2. Reassemble the shower bracket over the grabrail following the sequence 1,2,3,4
3. The locking lever should be in the 'middle' position for assembly
4. To lock in place slide to desired height and push lever up or down



Bracket suits 32mm Grabrails, and is used with BR7011R / BR7011L grabrails and JTFN18 hand shower packages.