

INSTALLATION INSTRUCTION SHEET

COTTO EGG JUNIOR CLOSE COUPLED SUITE

COTTO

EGG JUNIOR SUITE (Pan C6713, Cistern C62771)

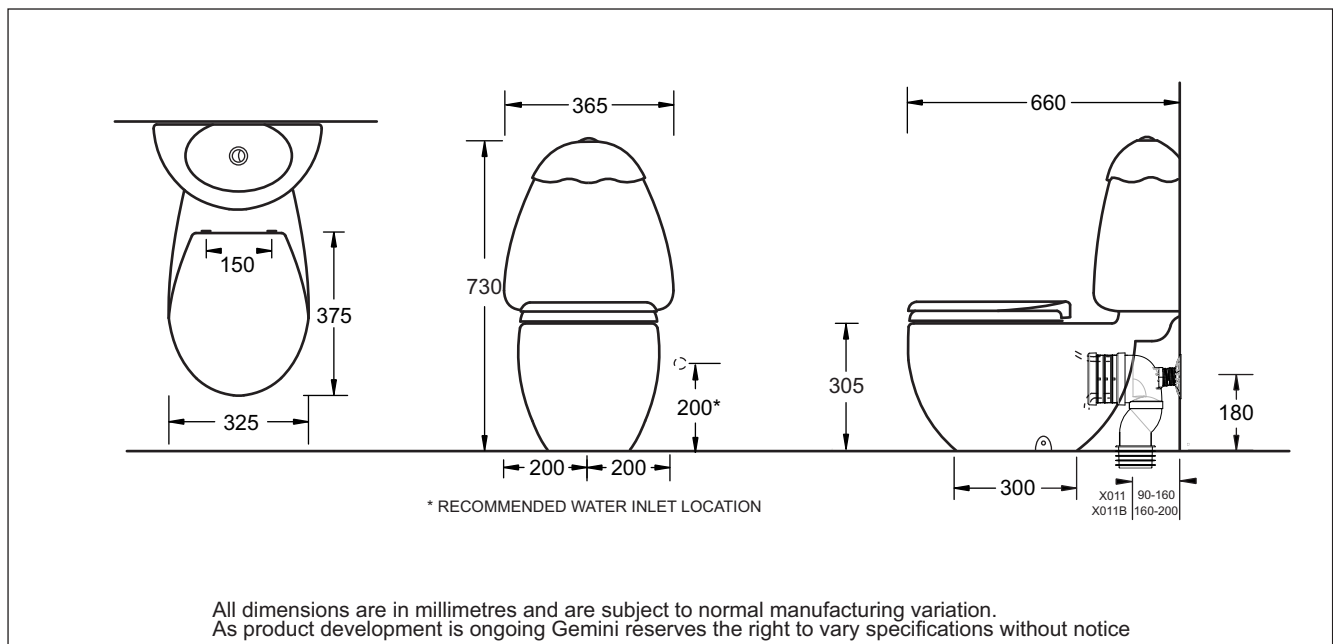
The Egg a close coupled suite with flexible S trap set out options as well as P Trap configuration.

- For 90-160mm set out use a X011H elbow connector, cut to length as required.
- For 160-200mm set out use a X011B connector, cut to length as required.
- For P Trap installation use a straight through pan collar connector.

Water inlet is on the right hand side.

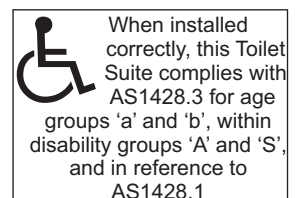
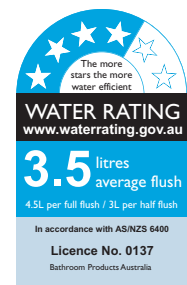
The cistern tank is bolted to the pan and can be removed for servicing.

Supplied with standard concealed floor fixing brackets and standard close seat WELS 4 Star rated (4.5/3 Litre Dual Flush)



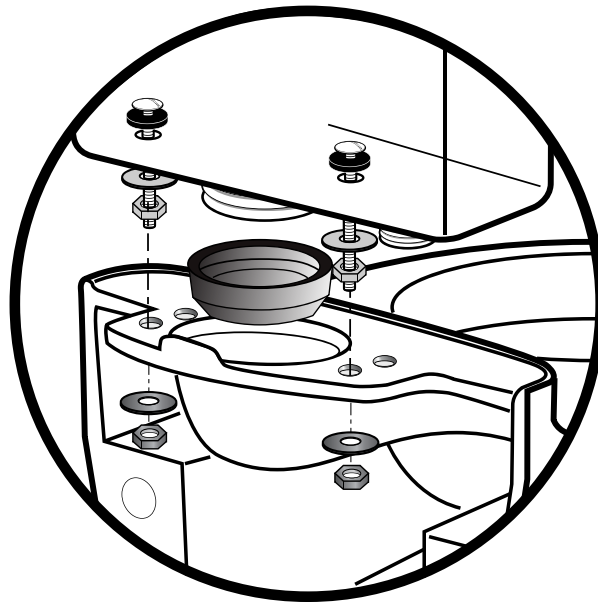
INSTALLATION STEPS

1. Inspect pan, cistern and seat for any transit damage before starting installation.
2. Check site roughing in, cistern tap position and assembly dimensions before commencing.
3. The WC pan is fixed down using the floor attachment fittings(provided). Check that the pan can be installed level.
4. Position the pan correctly and mark the location of the floor fixing brackets.
5. Install the floor brackets using the anchor screws supplied.
6. For S Trap installation connect the pan connector elbow and cut the threaded bracing prop to the correct length. Cut the pan outlet connection fitting to the required length and height to suit the job set-out. Ensure that the WC is fully back against the wall in the finished installation position when checking the outlet connector fit. The connector should be installed with the bracing prop affixed to the back wall.



All installations should be carried out by a qualified tradesman in compliance with the Plumbing Code of Australia and any State or Local Authority

7. Place the Pan into position ensuring it seals firmly to the pan connector
8. Insert the floor bracket fixation screws through the fixing holes in the base of the pan and tighten. Attach the decorative caps.
9. For mortar bedding use a 4:1 sand and standard cement mix (do not use Rapid Hardening cement). If the floor is tiled, cut out the tiles beneath the pan to create a good bonding surface.
10. Attach the flexible hose to the inlet valve connection in the base of the cistern.
11. Place the rubber cone sealing-ring in position and place the cistern in position on the WC pan. Check that the rubber seal is seated correctly.
12. Secure the cistern to the pan by screwing the cistern fixing capnuts and washers to the bolts fixed to the back of the pan (the body of the outlet valve may be temporarily removed from the base to make this easier).
Screw down firmly to compress the cone seal ring. (See the below diagram)
13. Always flush the water supply pipes before connecting the cistern inlet valve to the cistern tap.
14. Fill the cistern and check the water level, if necessary adjust the inlet valve float.
15. Attach the cistern lid and buttons and test flush several times while checking for leaks.
16. Waterproof sealant finishing may be used around the base of the WC.
17. Fit seat



Cistern Fixing Bolts

Note: Above diagrams are only to illustrate the assembly of the fittings on the pan and the cistern and the pan and cistern models which you have purchased might be different from the above model.

Bathroom Products Australia Pty Ltd
2/97 Banksia St
Botany, NSW 2019

Tel: 1300 717 717
Fax: 1300 746 480
www.johnsonsuiss.com.au

VALVE SERVICE

INLET VALVE SERVICE

1. Major water level adjustment

<p>1</p> <p>Remove the body locking clip</p>	<p>2</p> <p>Twist valve anticlockwise to release. Slide up/down to desired position and twist back to lock.</p>	<p>3</p> <p>Replace the body locking clip</p>
--	---	---

WARNING

DO NOT USE CHLORINE/CHEMICAL SANITISERS IN THE CISTERN TANK. SUCH USE MAY RESULT IN DAMAGE TO TANK COMPONENTS AND WILL VOID THE PRODUCT WARRANTY

2. Minor water level adjustment

<p>1</p> <p>Unlock the float cup and slide up or down to the new position</p>	<p>2</p> <p>Float adjustment</p> <p>With a screwdriver adjust the float - the top of the float(A) should be 2-4mm below the level of the top of the float cup(B)</p>	<p>3</p> <p>Relock the float cup</p>
---	--	--------------------------------------

3. Cleaning the valve diaphragm

It is possible for dirt/debris to prevent the valve from shutting off.

To remedy this the diaphragm may be cleaned as follows:

1. Remove the cover cap
2. Unclip the float arm from the adjustment screw
3. Twist the plastic top-assembly firmly anti-clockwise and remove it from the valve body
4. Inspect both rubber diaphragm and valve seat. Rinse under running water to remove dirt/debris
5. Re assemble in reverse order

OUTLET VALVE SERVICE

Removal

Valve may be removed for service - twist to unlock

Assembly

Hoses are not shown on this diagram

Push button rod settings

Button rods must be just clear of the valve pads

Button rods can be adjusted by screwing up or down

Ensure that buttons match valve pads

Half flush adjustment

Half flush volume can be adjusted by moving the side float up or down. Moving the float DOWN increases the half flush. Moving the float UP decreases the half flush

Full flush adjustment

The full flush volume can be adjusted by changing the residual water level in the cistern. Move the adjuster DOWN to increase the volume. Move the adjuster UP to decrease the volume.