

## pivot - semi-frameless shower screen

### INSTALLATION GUIDE

These installation guidelines are for to the following shower screens:

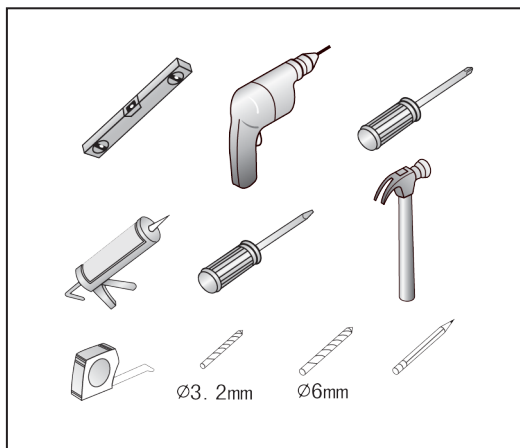
Model	Door + Fixed Panel Set	Return Panel Set
Barossa Pivot Semi-frameless 900	KSSPV26CHP Actual size 860-885mm	SSPV26CHR Actual size 860-885mm
Barossa Pivot Semi-frameless 1000	KSSPV40CHP Actual size 960-985mm	SSPV40CHR Actual size 960-985mm
Barossa Pivot Semi-frameless 1220	KSSPV34CHP Actual size 1180-1205mm	-



#### IMPORTANT PRE-INSTALLATION NOTE:

- Immediately on receipt inspect the product for transit damage, missing packs/parts or manufacturing faults.
- Damage reported later cannot be accepted.
- Please handle the product with care avoiding knocks and shock loading to all sides and edges of glass.
- Damaged glass or missing parts will not be replaced under warranty if the installation process has begun.
- SAFETY GLASS CANNOT BE REWORKED, IF BROKEN IT HAS TO BE REPLACED
- Please read these instructions carefully before you start installation. Special care should be taken when drilling walls to avoid hidden pipes or electrical cables.
- Securing into a stud or timber brace is highly recommended, if unable to do so, other secure means of fixing must then be considered.

#### TOOLS REQUIRED



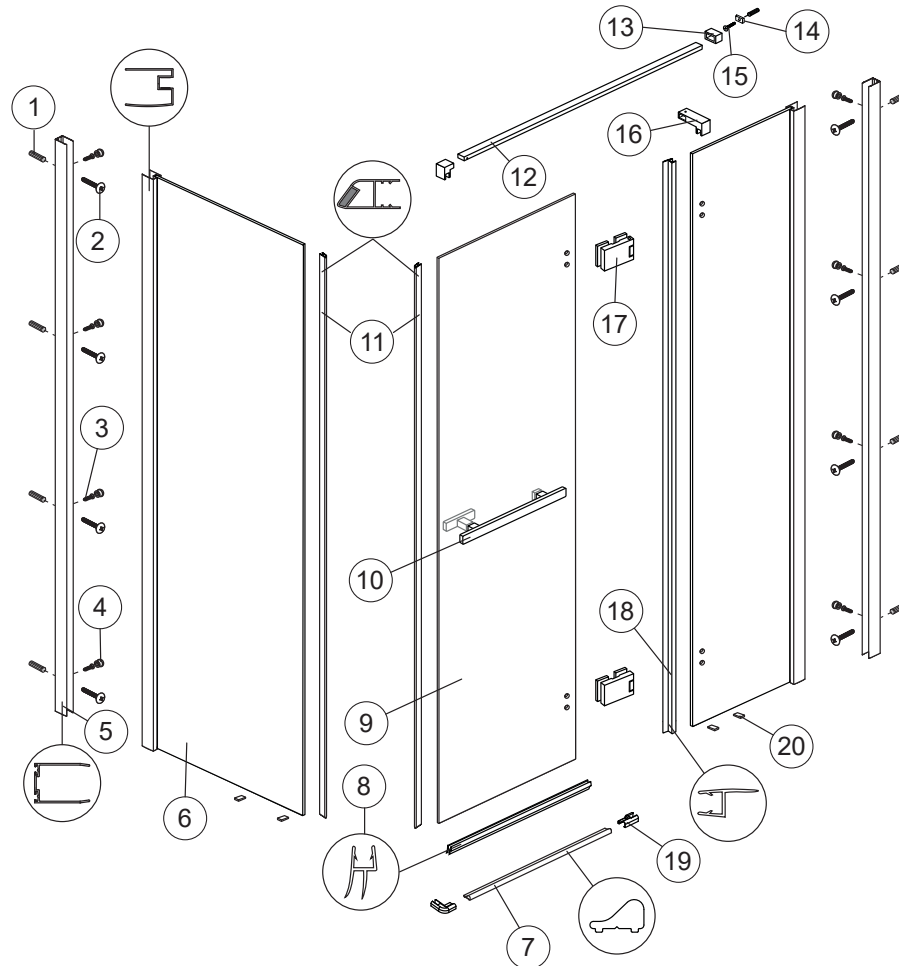
This product is heavy and awkward to handle.  
Two-person installation is recommended.



## pivot - semi-frameless shower screen

### INSTALLATION GUIDE

#### ASSEMBLY COMPONENTS



#### COMPONENT LIST

- |                             |                            |
|-----------------------------|----------------------------|
| 1. 9 x Wall plugs           | 11. 2 x Magnetic seals     |
| 2. 8 x Flat screws M4x35    | 12. 1 x Bracket            |
| 3. 8 x Screws M4x10         | 13. 1 x Wall connector     |
| 4. 8 x Screw cover caps     | 14. 1 x Wall clip fixing   |
| 5. 2 x Wall posts           | 15. 1 x Screw M4x35        |
| 6. 2 x Fixed panels         | 16. 2 x Glass fixings      |
| 7. 1 x Aluminium seal       | 17. 2 x Hinges             |
| 8. 1 x Horizontal drip seal | 18. 1 x Vertical drip seal |
| 9. 1 x Door Panel           | 19. 2 x Clips              |
| 10. 1 x Handle set          | 20. 4 x Setting blocks     |

## pivot - semi-frameless shower screen

### INSTALLATION GUIDE

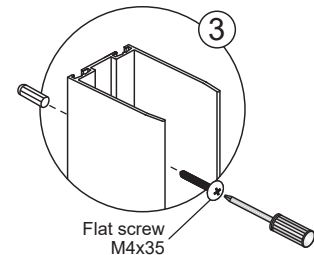
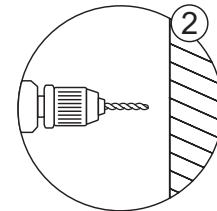
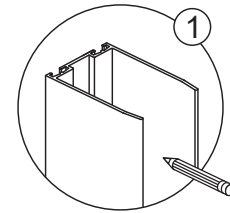
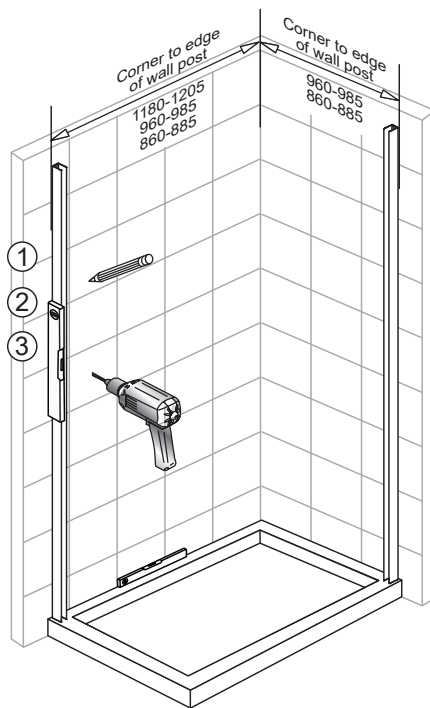
Before starting:

Ensure floor area for installation is completely level.

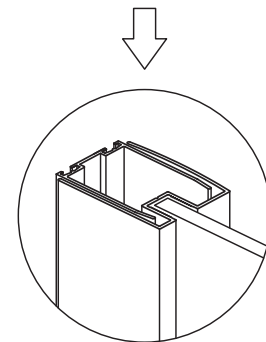
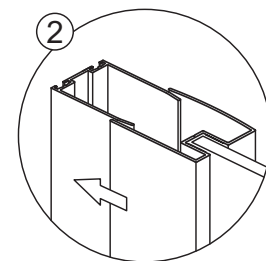
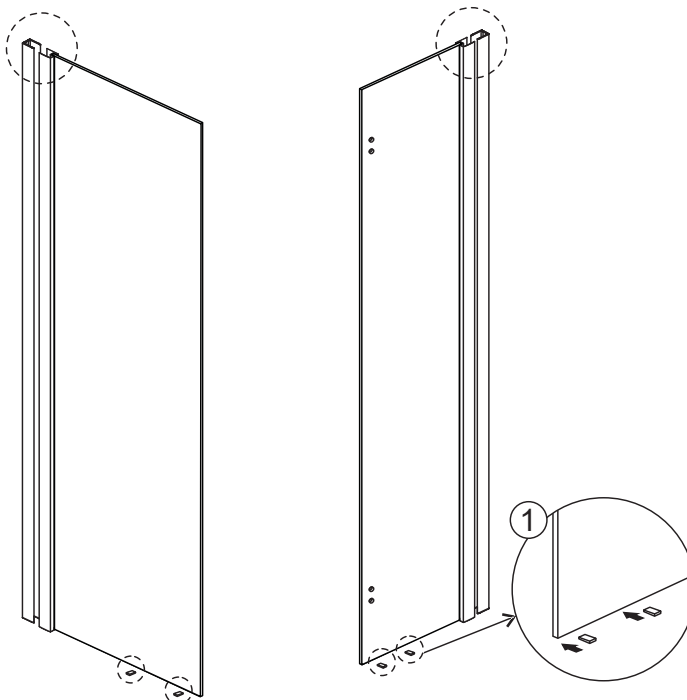
Walls must be plumb to within 5mm over the height of the screen.

Check-measure that the screen size shown on the packaging suits the intended installation area.

#### STEP 1



#### STEP 2



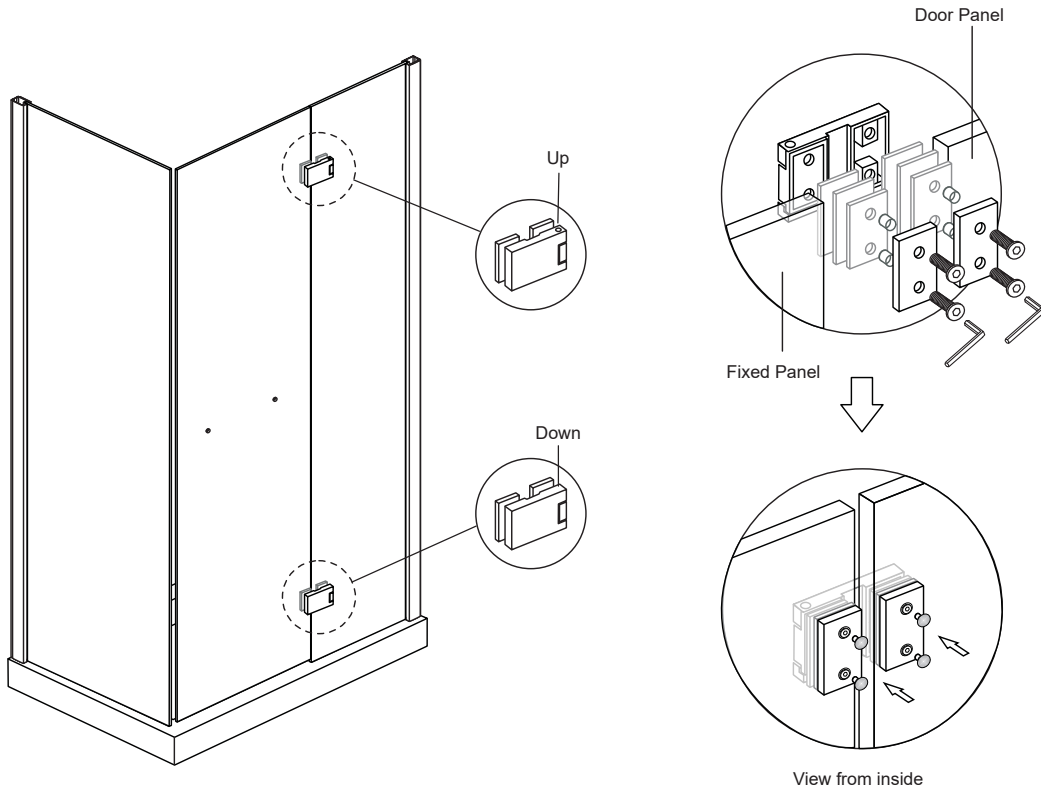
View from inside

# barossa

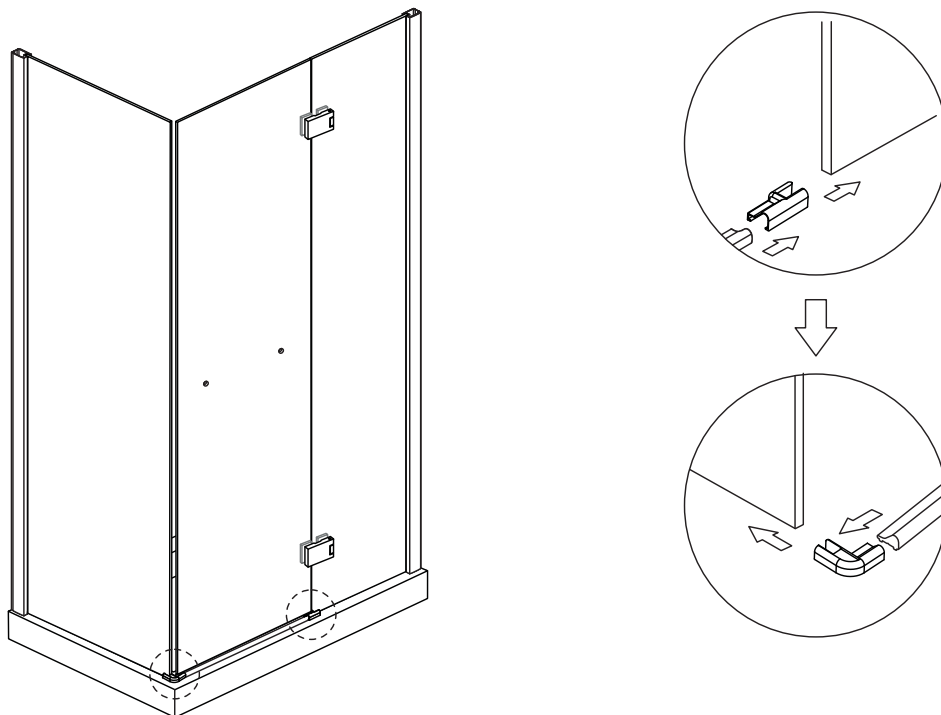
## pivot - semi-frameless shower screen

### INSTALLATION GUIDE

#### STEP 3



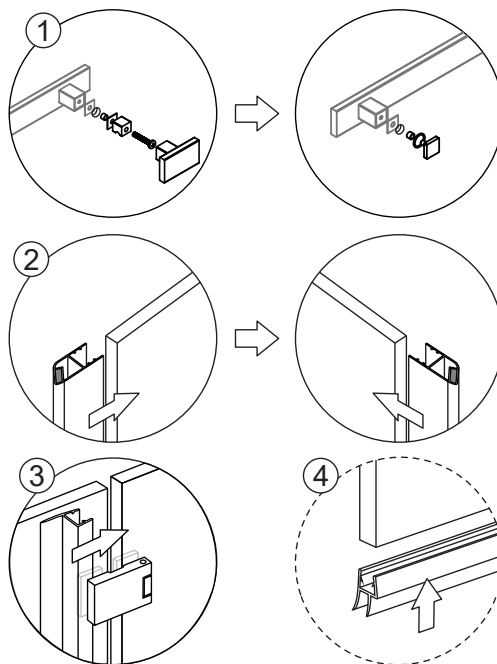
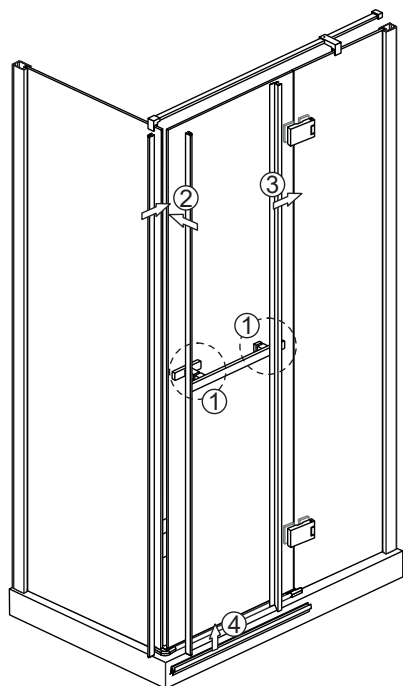
#### STEP 4



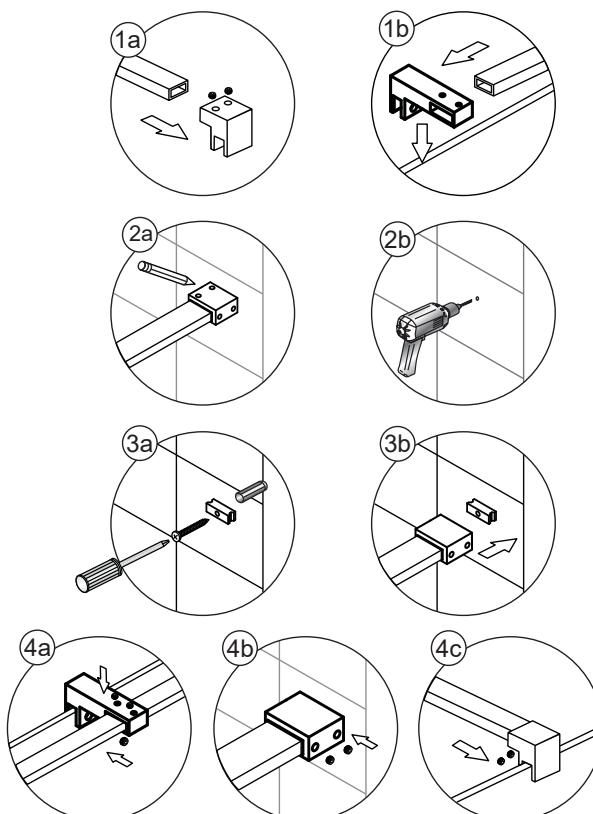
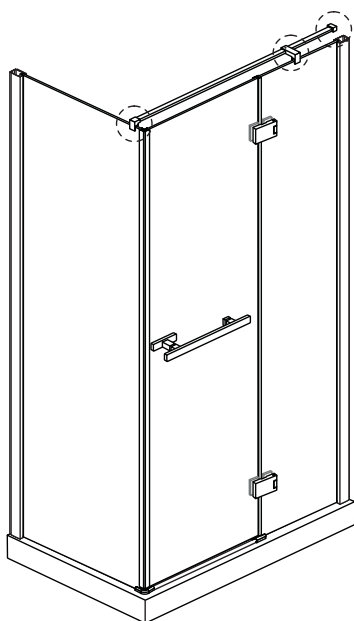
## pivot - semi-frameless shower screen

### INSTALLATION GUIDE

#### STEP 5



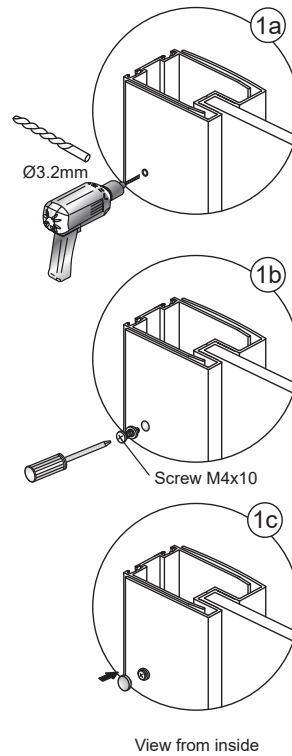
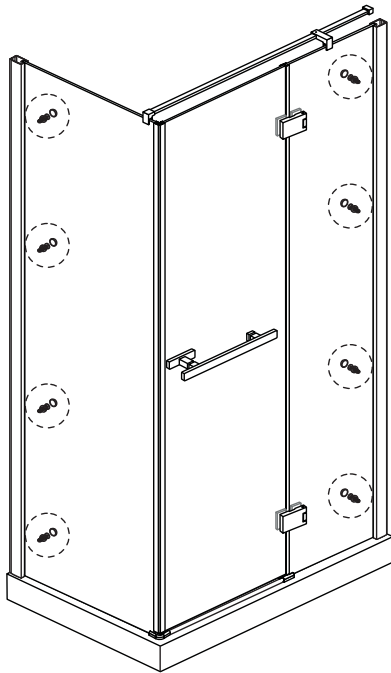
#### STEP 6



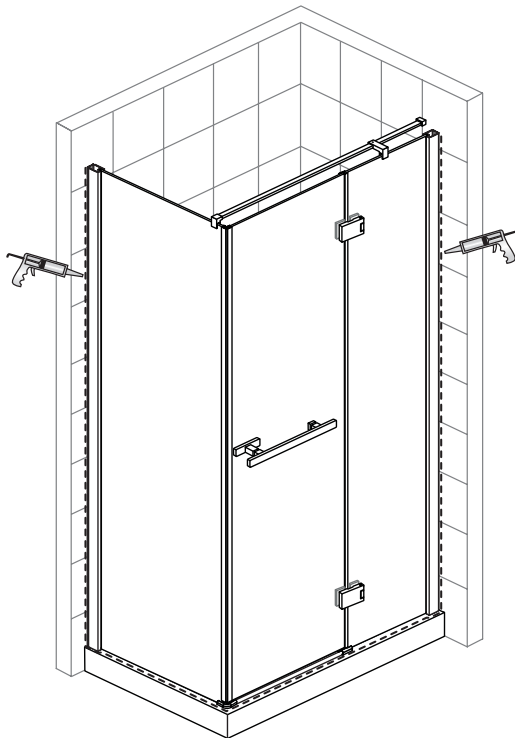
## pivot - semi-frameless shower screen

### INSTALLATION GUIDE

#### STEP 7



#### STEP 8



Apply bathroom quality silicone sealant around all external joints of the shower screen.

Sealant is not used on the inside of the screen as in time water may build up within the wall jamb and then leak out of the shower area. The screen is designed to allow water to drain within the shower area.

**ALLOW 24 HOURS BEFORE USING THE SHOWER**



#### CARE INSTRUCTIONS

This shower screen has been treated with EnduroShield® easy-to-clean glass surface treatment. Please follow the care instructions affixed to the door panel to ensure that your treatment is long-lasting.

After use, your shower should be cleaned with mild detergent and water. This is particularly important in hard water areas where insoluble lime salts may be deposited and allowed to build up.

Cleaners of an abrasive/gritty nature should not be used. Care should be taken to avoid contact with strong chemicals such as organic solvents and strippers. Glass cleaners can be used but with caution. If in doubt please contact the manufacturer of the cleaner in question.

Please keep these instructions for aftercare and customer service details.