

ESTI

VITREOUS ENAMELLED STEEL BATH

INSTALLATION INSTRUCTIONS



Esti 1700
Esti 1500

Code J5000
Code J5010

Features:

- **VITREOUS ENAMEL FINISH:** Three separate enamel layers for maximum durability and hygiene with the benefit of the strength of steel.
- **MODERN DESIGN:** Stylish with easy clean lines. Two sizes available - 1500 and 1700
- **EASY INSTALLATION:** Can be installed using leg supports or as a 'drop-in' with a support frame

ESTI

VITREOUS ENAMELLED STEEL BATH

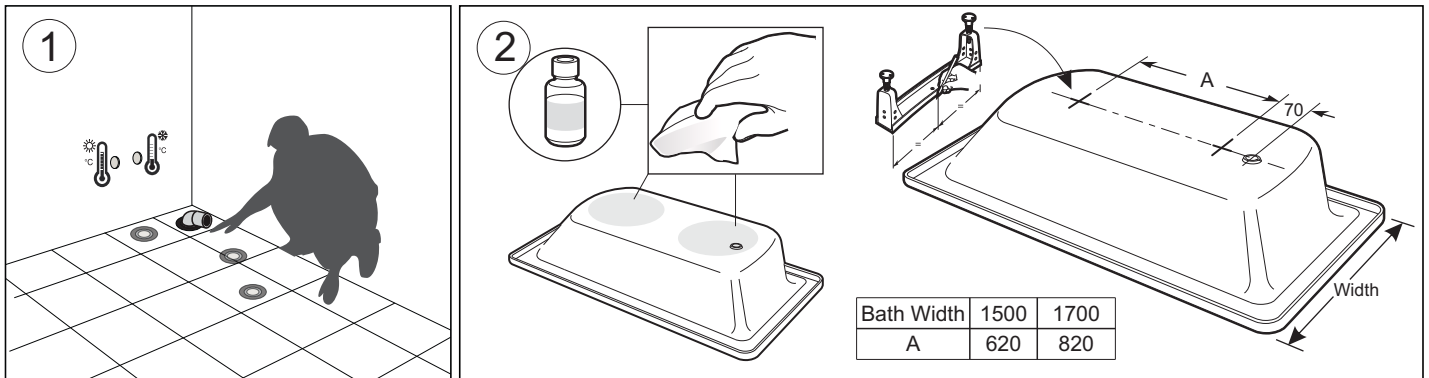
JohnsonSuisse
Bathroom Solutions

INSTALLATION INSTRUCTIONS

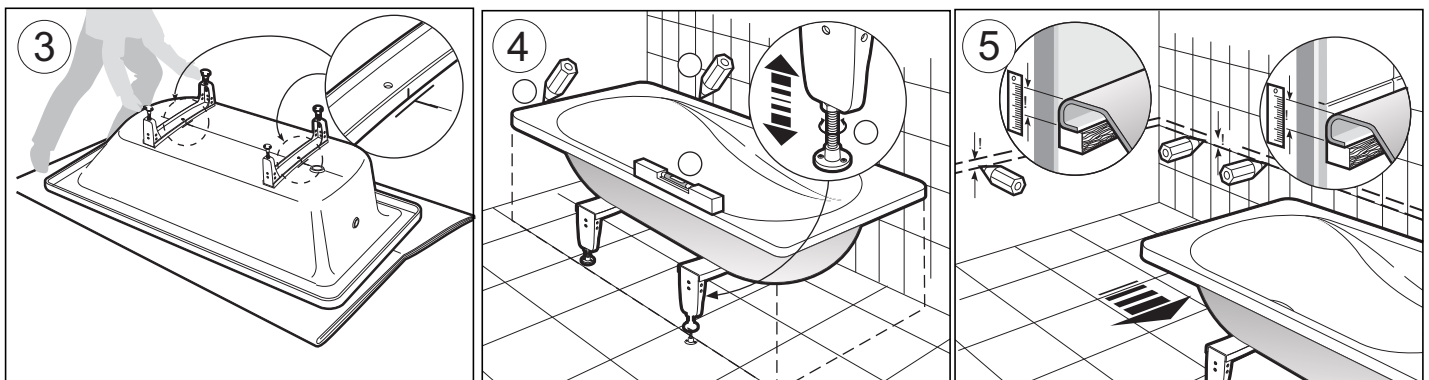
Preliminary:

- Unpack and check for damage. Any damage should be reported to your supplier within 2 working days. BPA reserve the right to reject any claim for damage if not notified in a timely manner.
- Protect the bath during the installation. Damage and scratching incurred during installation are not covered by the warranty.

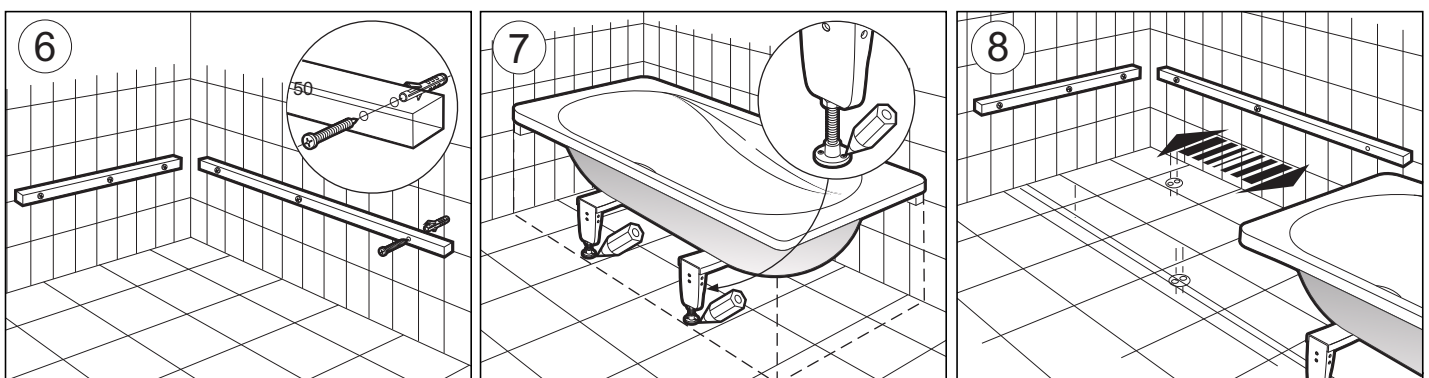
Method A: Installation with Legs



1. Before installation set out the pipe work for the bath and ensure it is aligned with the waste.
2. Clean the base of bath and install the bath legs according to supplied instructions.
3. Prevent scratching of the enamelled surface by using a piece of soft plastic under the inverted bath



4. Place in position and use the adjusting screws to ensure the bath is completely level. Make sure that the underside of the bath is clear of any obstructions.
5. Mark the height of the bath tub on the wall to provide the guidelines for the bath rim supports. Note that the pipe work and trap must have 10mm clearance from the floor.



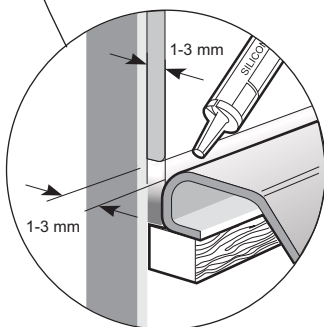
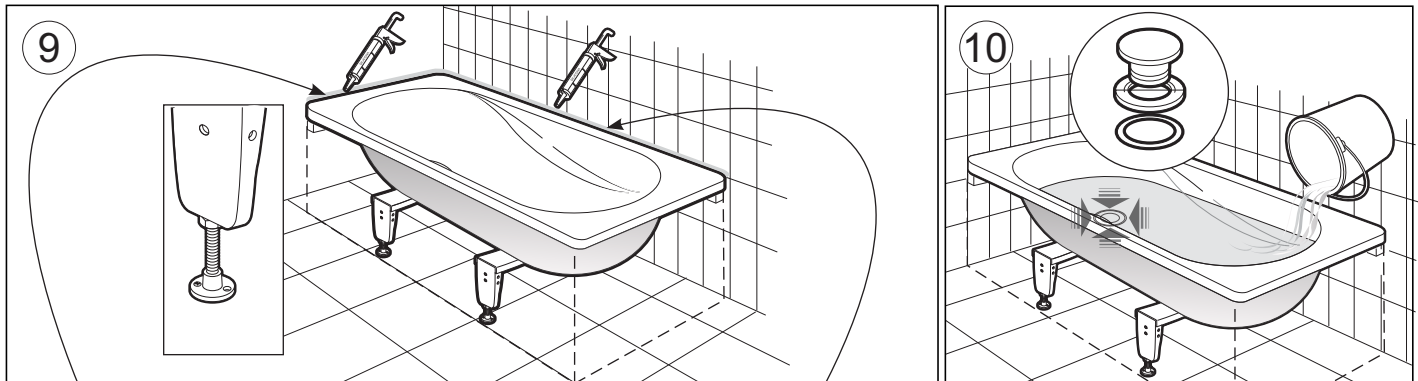
6. The bath rim should be supported on the sides against the wall.

ESTI

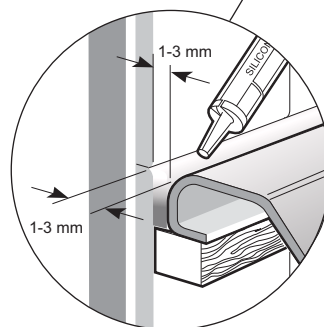
VITREOUS ENAMELLED
STEEL BATH

INSTALLATION INSTRUCTIONS

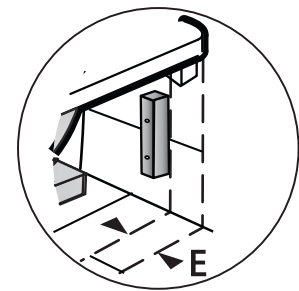
JohnsonSuisse
Bathroom Solutions



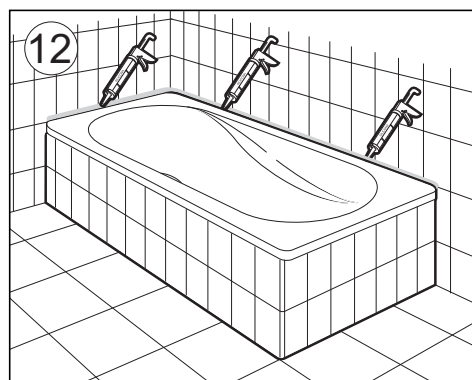
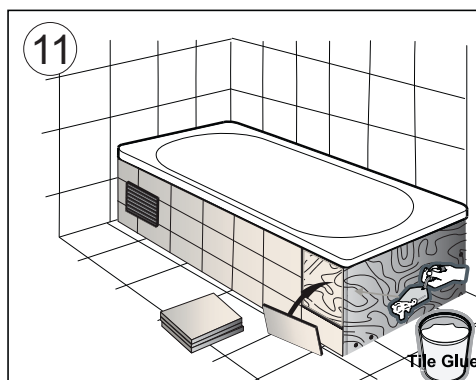
Built-in



Flush-mounted



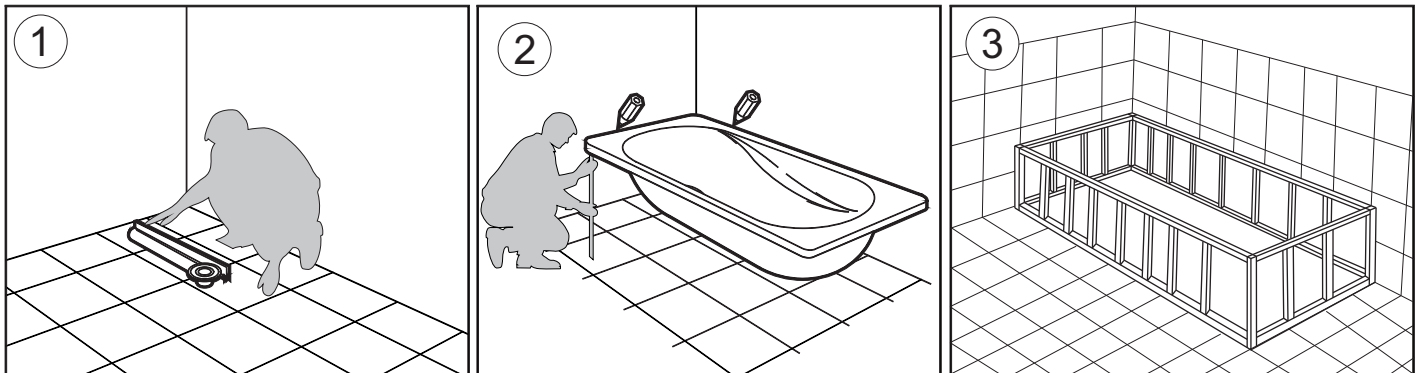
E = (Board Thickness) + (Tiling Thickness)



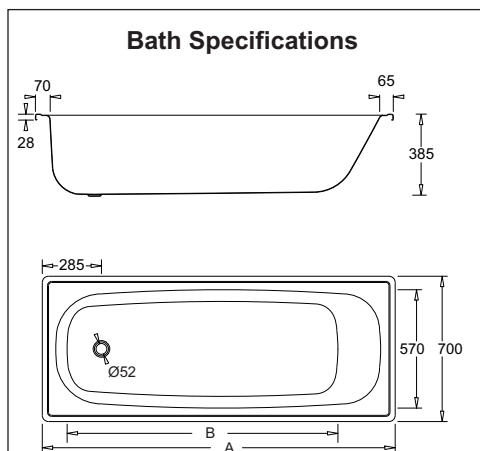
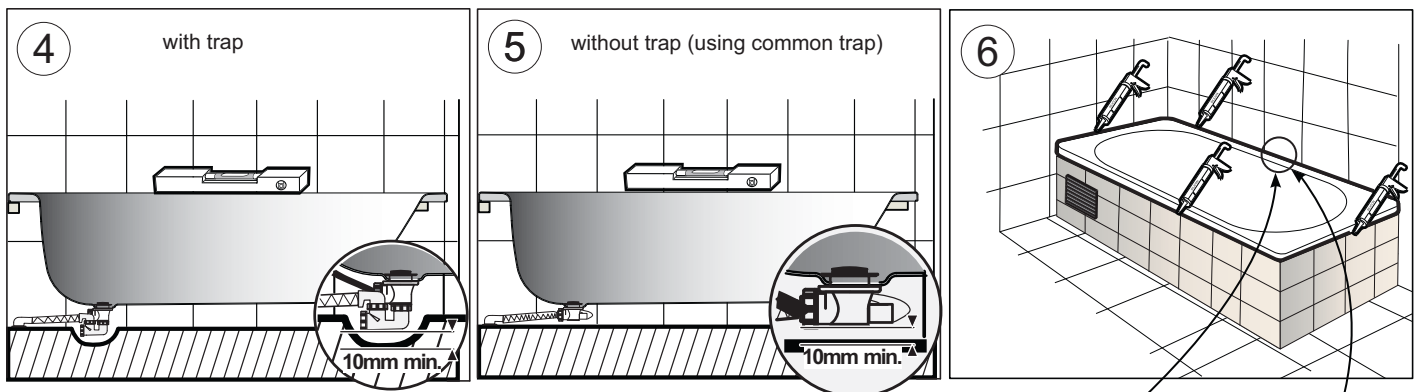
7. Position and fix the bath legs to the floor.
8. A minimum gap of 1-3mm between the bath and wall/tiles is recommended to provide space for normal expansion of bath in different temperatures. This gap will be filled with silicon.
9. After fixing the bath into position connect approved DN40 waste fittings and pipe.
10. Once the connections are completed fill the bath tub with water, wait for 2 hours and check for water leaks.
11. Complete the installation of bath by either desired method (Timber frame or masonry)
Note use 40x40mm timber when constructing a frame with vertical studs at 450-500mm centres. Suggested frame height is 500mm. (The height varies depending on the shape of the trap and fittings)
12. When cladding the base wall it is recommended that a removable panel provided to allow access to the waste pipe for any service that may be required in the future.
13. All the points of contact between the bath and the side walls should be filled with silicone.
14. The bath can be used after 24 hours.

All dimensions are in millimetres and are subject to normal manufacturing variation.
As product development is ongoing BPA reserves the right to vary specifications without notice

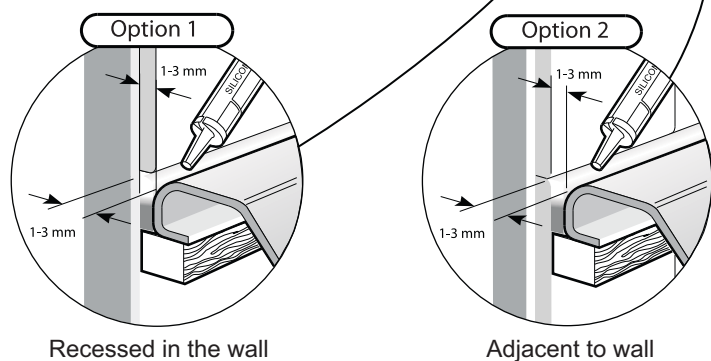
Method B: Built-in Installation without Legs



1. Find the desired height of the bath on the wall. A minimum clearance of 10mm is required under the base of the bath to allow free flexing of the entire bottom of the bath including the trap)
Note use 40x40mm timber when constructing a frame with vertical studs at 300-350mm centers. Suggested frame height is 500mm.
2. Set up the desired support structure. The waste pipe and flexible coupling should be wrapped with suitable material to be protected if exposed to debris or immersed in cement.



Model	Code	A	B	Capacity L	Height with Legs	
					Max	Min
Esti 1700	J5000	1700	1305	190	565	525
Esti 1500	J5010	1500	1105	170	565	525



Special notes:

1. All dimensions are in millimetres. BPA undertake a continuous product improvement and reserve the right to change the specifications without notice.
2. Installation must comply with the Plumbing Code of Australia and any State or LGA requirements.
3. Compliance with AS3740 Waterproofing of Wet Areas within Residential Buildings applies when installing baths.
4. Forces must not be applied to the bath by excessively rigid or misaligned pipework.
5. Bath must be supported continuously and evenly under the entire rim.
6. Flexible sealant must be applied to the exposed edges.
7. Ensure that all the water connections are tight and water sealed and the bath drains properly.
8. Air space beneath the bath should be ventilated to meet the local code requirements.
9. Clean bath with mild detergent or non-abrasive cleanser. Rinse the bath before use to clear any chemical residues.
10. Do not drop heavy or hard objects onto the surface.