

EMILIA

FLUSH TO WALL RIMLESS TOILET SUITE

JohnsonSuisse
Bathroom Solutions

CODE:
JTTE405.JTTE406.105 (Urea Seat)
JTTE405.JTTE406.110 (PP Seat)

FEATURES

- SMARTLY STYLED FLUSH TO WALL VITREOUS CHINA TOILET SUITE
- EFFICIENT RIMLESS DESIGN FOR HYGIENIC FLUSHING
- CISTERN WITH CONCEALED BACK ENTRY OR BOTTOM ENTRY WATER INLET
- SOFT-CLOSE, QUICK-RELEASE TOILET SEAT -TWO STYLES AVAILABLE
- S OR P TRAP CONFIGURATION INSTALLATION
- ADJUSTABLE S TRAP PAN CONNECTOR

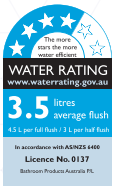
COMPONENTS

EMILIA RIMLESS FLUSH TO WALL PAN	JTTE405
EMILIA CISTERN	JTTE406
EMILIA SLIM PP TOILET SEAT	JSEE110
EMILIA UREA TOILET SEAT	JSEE105

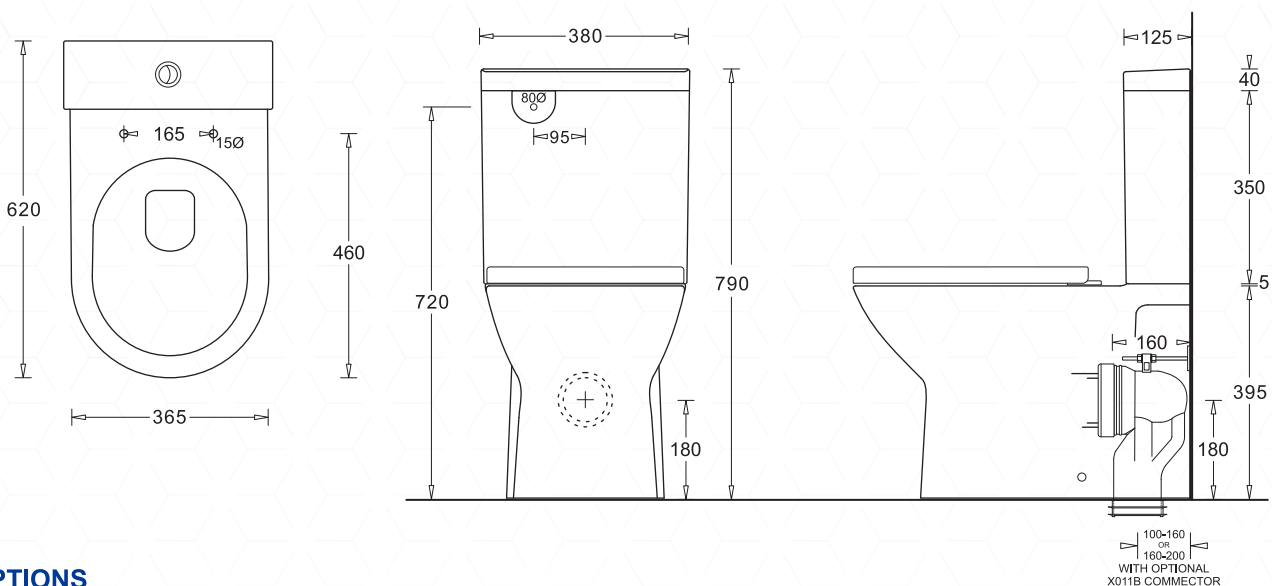
WARRANTY

VC 25 YEARS, VALVES 3 YEARS, SEAT 5 YEARS
PRODUCTS REPLACEMENT

- REFER TO T&C's AT johnsonsuiss.com.au



PRODUCT DIMENSIONS



OPTIONS

ANTI-VANDAL CISTERN LID LOCK KIT XJ122B

TECHNICAL DATA SHEET

SUPERSEDES ALL PREVIOUS ISSUES

All dimensions are in millimetres and are subject to normal manufacturing variation. As product development is ongoing BPA reserves the right to vary specifications without notice.
Bathroom Products Australia P/L ABN 87 079 297 617

JohnsonSuisse
Bathroom Solutions

2/97 Banksia St., Botany, NSW 2019
TEL: 1300 717 717 FAX: 1300 746 480
www.johnsonsuiss.com.au