

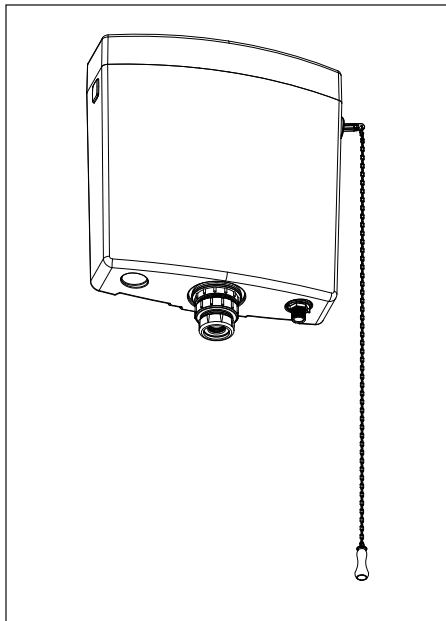
LIFE URINAL CISTERN

WALL MOUNT PULL CHAIN CISTERN
SINGLE/DOUBLE STALL



LIFE URINAL CISTERN

WALL MOUNT PULL CHAIN CISTERN



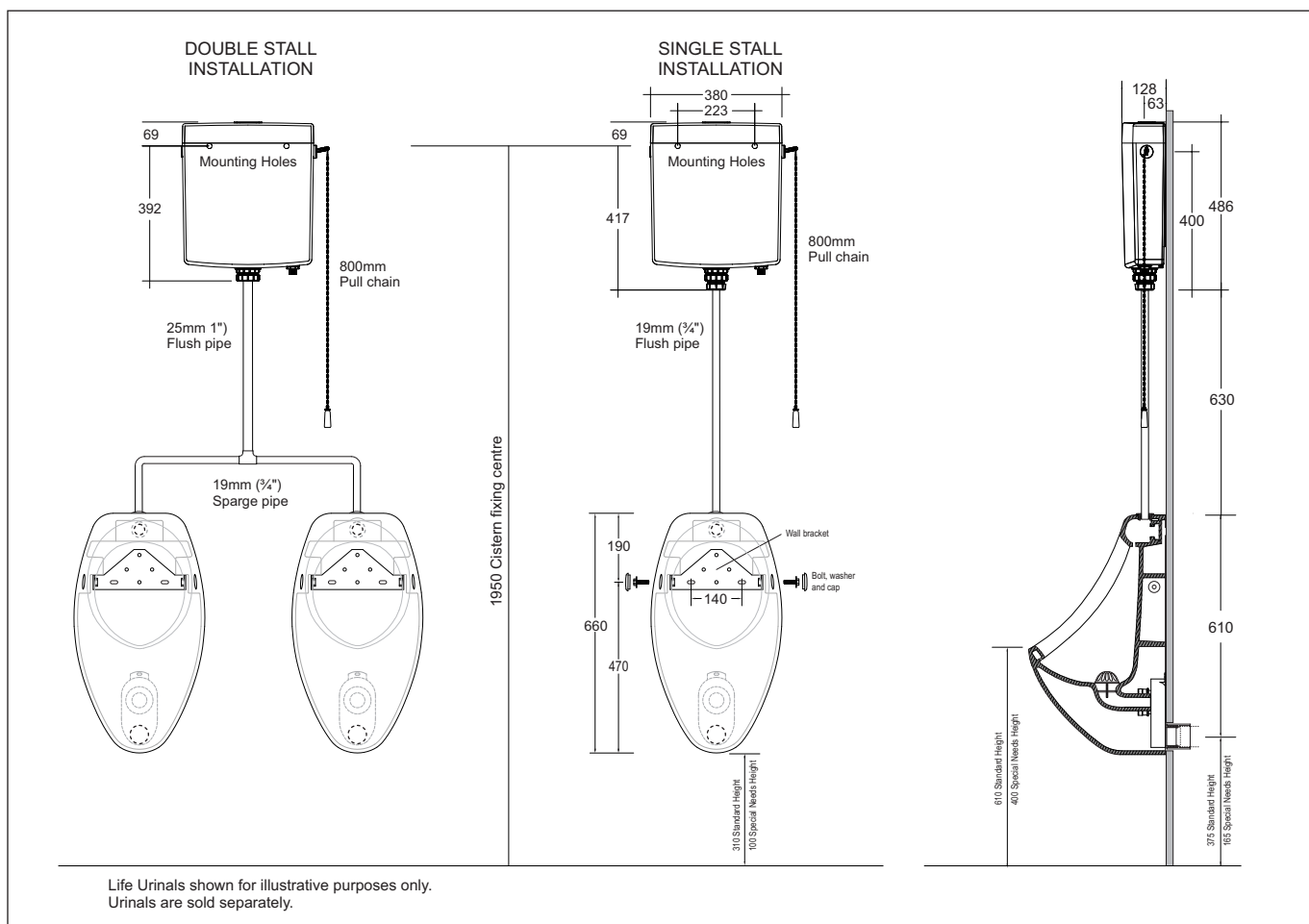
- Standard pull-chain operated urinal cistern
- Wall mounted white plastic tank
- Reliable flushing solution for wall hung urinals
- Flush volume can be adjusted for one or two stall installations (Nominal 1.5L or 3.0L volume)
- Water inlet adjustable for left or right fitting
- Water outlet accepts 19 or 25mm flush pipe
- Pull chain on right hand side
- 4 Star WELS rated efficiency

Provided

Item	Description	Code
Cistern	Life Pull Chain Urinal Cistern	RG21015PC
Installation	Instruction Sheet	✓

Description

Urinal	Life Top-Entry Urinal	J6000
--------	-----------------------	-------



All dimensions are in millimetres and are subject to normal manufacturing variation.
As product development is ongoing BPA reserves the right to vary specifications without notice.
Bathroom Products Australia P/L ABN 87 079 297 617