

ASSIST SEMI-RECESSED BASIN SELECTION

SPECIAL NEEDS BASIN INSTALLATIONS
COMPLYING WITH:
AS1428.1: DESIGN FOR ACCESS AND MOBILITY



BRIO



JULIA



LIFE



ASSIST SEMI-RECESSED BASINS

Commercial

DISABLED PERSONS INSTALLATION TO AS1428.1



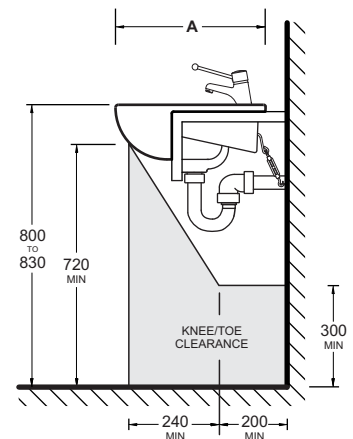
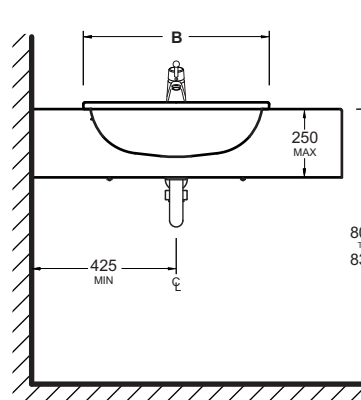
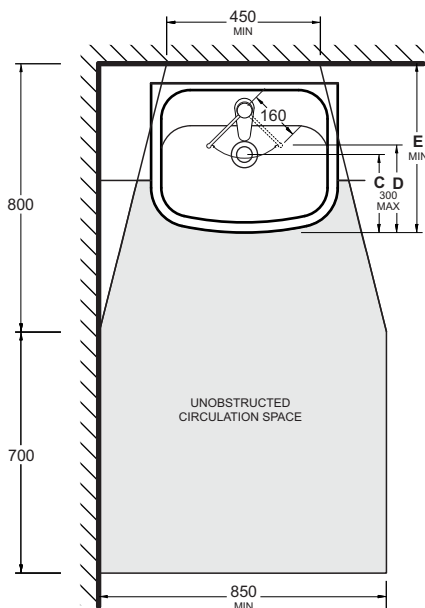
- Sanitaryware installed for people with disabilities must comply with AS1428.1- 2009 Design for access and mobility - General requirements for access
- The Gemini Assist range of Semi-recessed basins are suitable for installation for use by people with disabilities - these models are **Brio, Julia and Life**
- These contemporary vitreous china basins provide an attractive selection of semi recessed basins that can be installed to provide appropriate wheelchair access space beneath the basin and bench
- It is important to note that AS1428.1 requires the specified circulation and access space and the waste and water supply fittings must not intrude into the access space
- Tapware - there must be less than 300mm from the front of the basin to the end point of the lever handle throughout its arc of movement
- These basins must be installed using the fixing brackets provided to ensure a stable, secure installation

For additional information on these basins refer to the BPA Technical Manual

- 2.1.1 Brio Code C0241
- 2.1.4 Julia Code C0240
- 2.1.12 Life Code J3065



THE INSTALLATION OF BASINS MUST COMPLY WITH THE REQUIREMENTS OF AS 1428.1 TO ENSURE THAT THE NECESSARY CIRCULATION ACCESS IS PROVIDED. TAPWARE MUST HAVE EXTENDED LEVERS - THE LEVER TIP MUST BE NOT MORE THAN 300MM FROM THE FRONT EDGE OF THE BASIN THROUGHOUT ITS ARC OF MOVEMENT. ELECTRONICALLY ACTIVATED TAPWARE MAY BE USED.



KEY DIMENSIONS

BASIN	A	B	C	D	E	RECOMMENDED BENCH DIMENSIONS DEPTH	HEIGHT
Brio	440	550	230	255	500	350	200
Julia	445	500	245	270	505	305	200
Life	470	525	290	285	530	395	200

All dimensions are in millimetres and are subject to normal manufacturing variation of +/- 3mm on all surfaces. As product development is ongoing BPA reserves the right to vary specifications without notice.

Bathroom Products Australia P/L ABN 87 079 297 617