

COTTO[®]

C0240

June 2018

SUPERSEDES ALL PREVIOUS ISSUES

2.1.4

JULIA

SEMI RECESSED COUNTER TOP BASIN

Nominal size 500 x 445mm



1 TAPHOLE



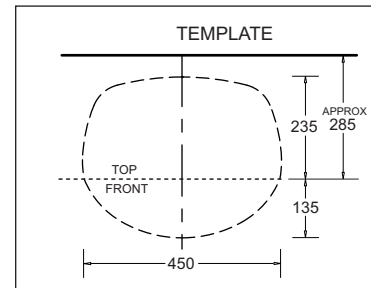
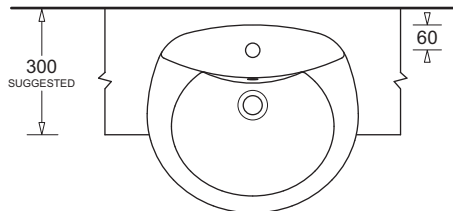
- Contemporary mid-sized vitreous china semi recessed basin
- Convenient soap placement platform
- Standard overflow
- Available with 1 or 3 taphole
- 32mm waste outlet
- Bowl capacity 4.5L
- 500mm x 445mm

Provided

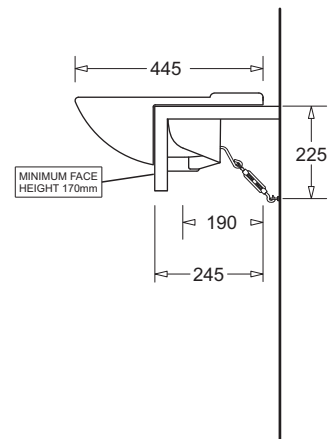
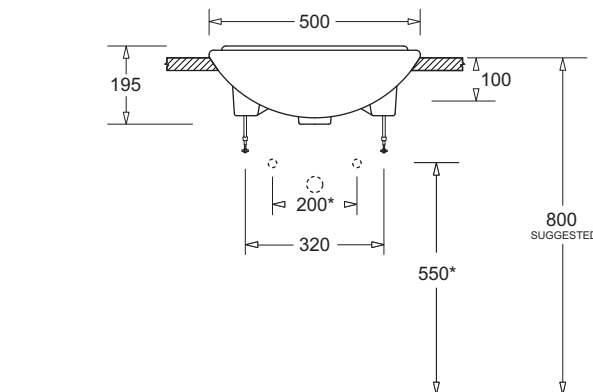
Item	Description	Code
Basin	Julia Semi Recessed Basin	C0240
Overflow Trim	CP Cap - Cotto	X065
Installation	SR Turnbuckle Kit	XC9491
Installation	Counter Template Kit	✓
Plug & Waste	32/40mm Overflow-Chrome	PW1

Optional

Plug & Waste	32/40mm Overflow-Plastic	PW2
--------------	--------------------------	-----



NOTE: BASIN TO BE SEALED TO COUNTER TOP USING ACETIC CURE SILICONE SEALANT
DO NOT USE EPOXY ADHESIVES



* RECOMMENDED WATER INLET LOCATIONS

All dimensions are in millimetres and are subject to normal manufacturing variation of +/- 3mm on all surfaces.
As product development is ongoing BPA reserves the right to vary specifications without notice.

Bathroom Products Australia P/L ABN 87 079 297 617

Tel: 1300 717 717
Fax: 1300 746 480

www.johnsonsuiss.com.au
R1.2