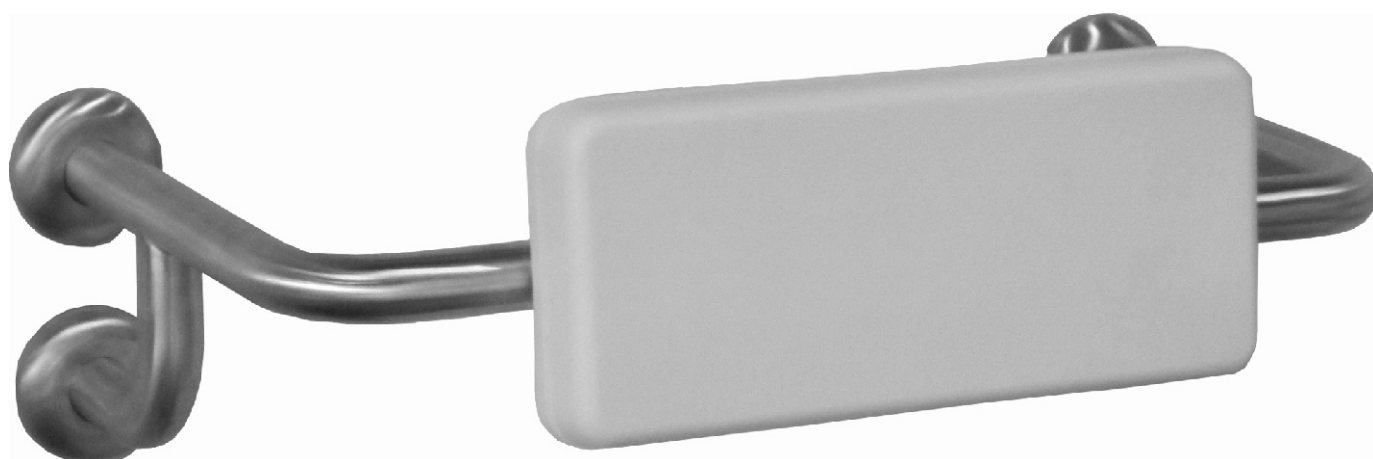


ASSIST BACKREST

32mm STAINLESS TUBULAR FRAME
SOFT POLYURETHANE CUSHION



ASSIST BACKREST

DISABLED APPLICATIONS



- The Assist back rest has a universal design to suit most special needs toilet suites
- High quality 32mm 304 stainless steel frame for strength and durability
- Concealed fixing system provides simple, secure installation
- Soft and comfortable cushion pad
- Easy cleaned with mild detergent and a soft cloth
- Recommended for use with the following Johnson Suisse Assist toilet suites:

Life Assist FTW	J2700.2750SN
Plaza Assist Deluxe	J2031.J2201SN
Select Assist Deluxe	J2031.RG21016SN

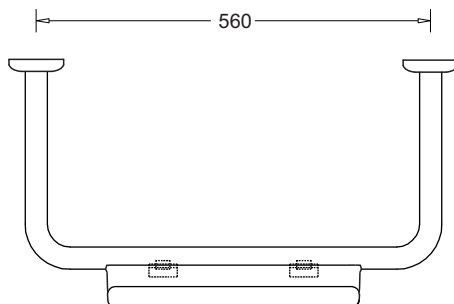
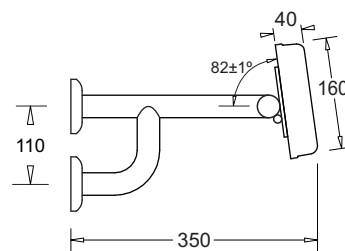
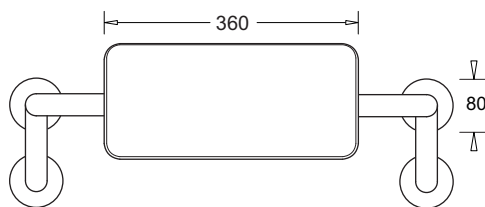
Provided

Item	Description	Code
Backrest	Stainless tube backrest with cushion	BR1002

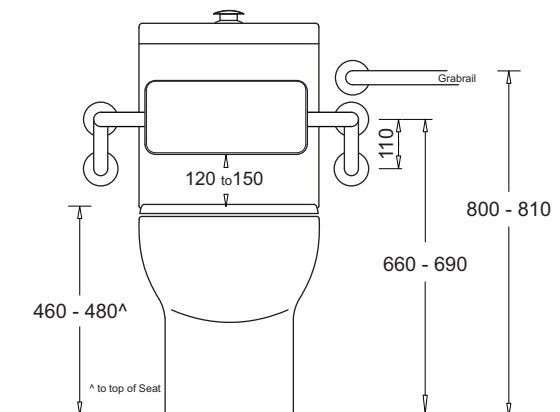


Special Installation Note

The Assist Backrest is designed to comply with AS1428.1(2009) -Design for access and mobility. It is a requirement that sanitary installations for people with disabilities adhere to this Standard. Specified circulation clearances, grab-rails, and other accessories must be in compliance.



Frame construction 304SS tube - Ø31.5 x 1.5mm



Suitable to use with Life Assist FTW, Select Assist or Plaza Assist pans (not included)