

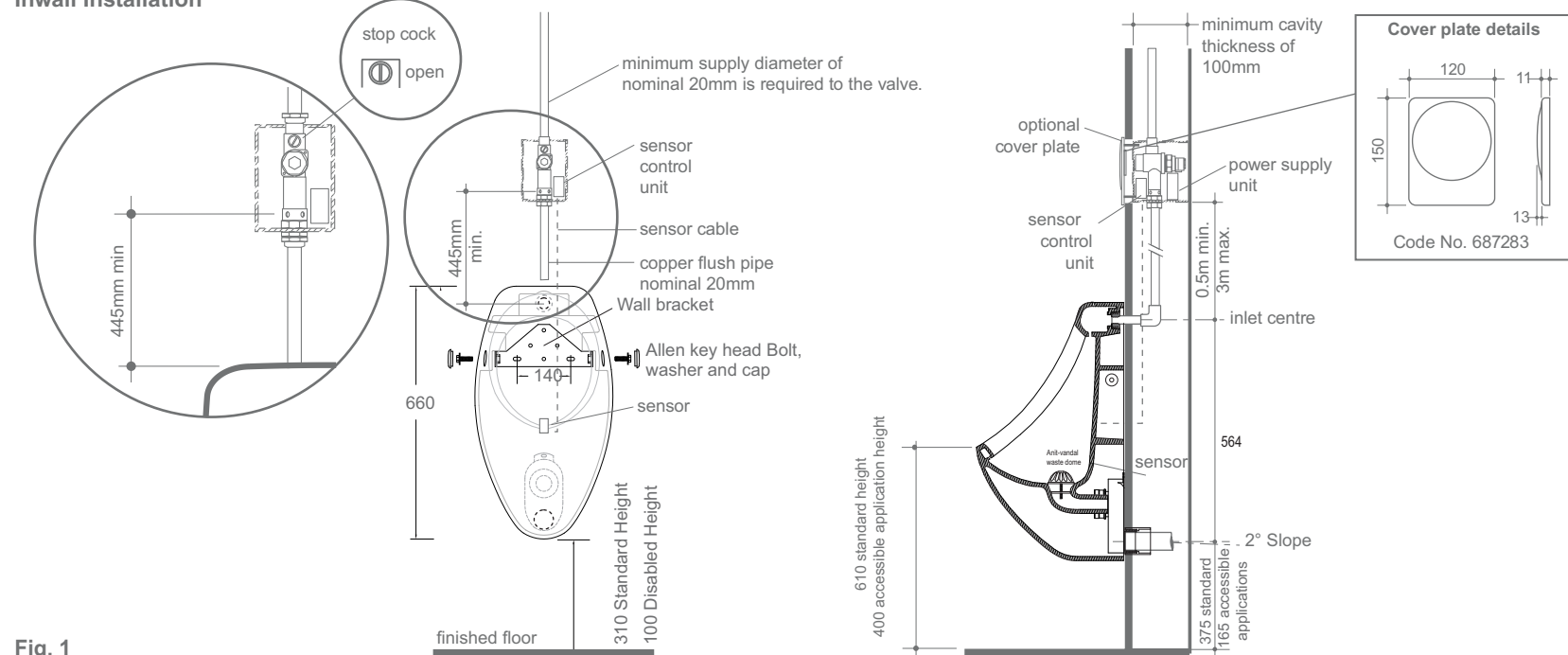
Life Urinal with electronically activated flushing Installation instructions

IMPORTANT: The lines must be flushed prior to installing solenoid valve.

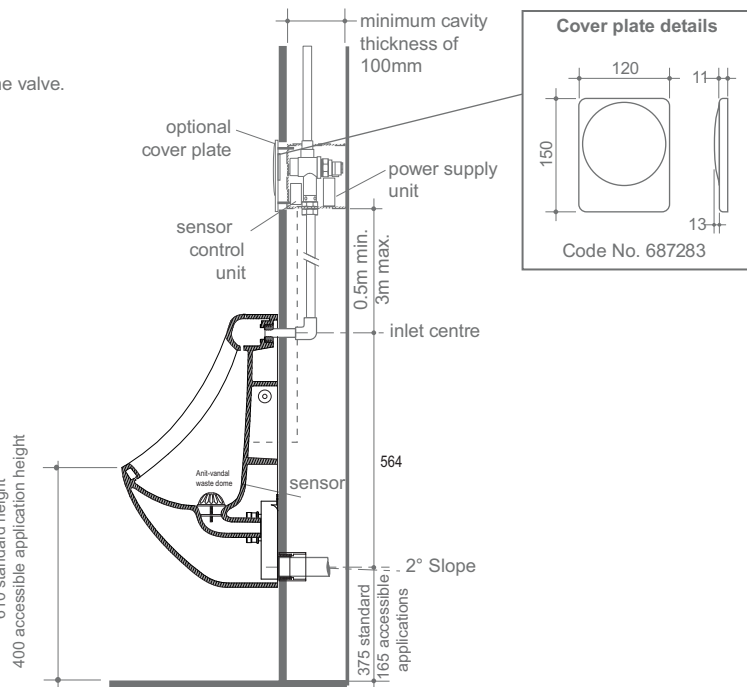
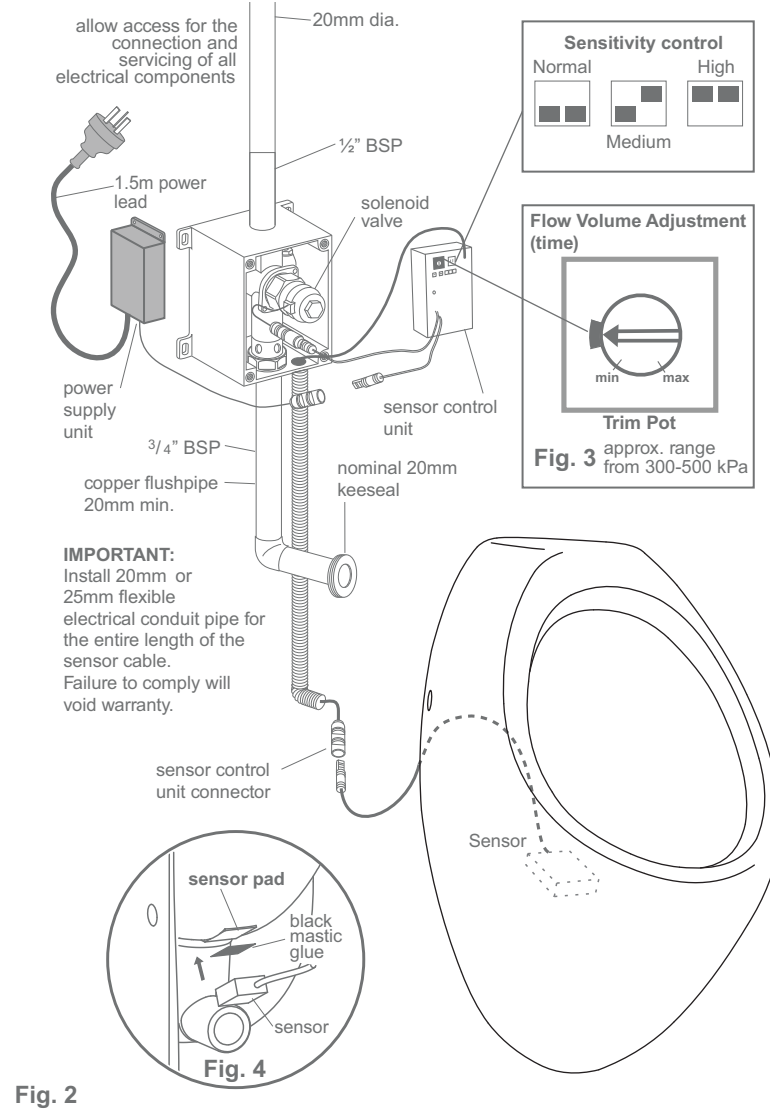
- 1- Install flush valve as required, inwall, induct or in ceiling and ensure that the critical dimensions in Fig. 1 are achieved.
- 2- Connect water supply and flushpipe. Flushpipe must be vertical and straight otherwise water back up can occur.
- 3- **IMPORTANT:** Fit flexible electrical conduit pipe for sensor cable without kinks, (not supplied).
- 4- The operation flow pressure of the valve is 300 to 500 kPa (30 to 50 metres head) to achieve a minimum flow to the valve of 18 litres/minute necessary to flush the urinal.
- 5- Remove white protective plug and install the solenoid valve into position.
- 6- Make connection from solenoid valve to sensor control unit.
- 7- Mount sensor control unit, as detailed in Fig. 1.
- 8- Make connection from power supply unit to sensor control unit as detailed in Fig. 2.
- 9- Clean rectangle pad area at the back of the urinal ensuring it is free of dust and grease. Apply mastic glue supplied to the black plastic side of the sensor (opposite side to the label). Adhere sensor on the urinal with cable pointing upwards, as detailed in Fig. 4. Connect sensor control unit connector as detailed in Fig. 2.
- 10- Ensure correct connections are made prior to installing urinal.
Note: Surge protectors are recommended to avoid power spikes affecting the life of the transformer and the electronic control module. Transformers should not be plugged in until all major electrical work has been completed on site.
- 11- **Note:** Suggested onsite method of determining discharge volume of 1.5 litres per flush. Activate the flush valve by waving your hand in front of the sensor. Discharge the water through a hose into a container.
- 12- Adjust discharge time to discharge 1.5 litres per flush (approx 6sec). To adjust the timing, turn the controller trim pot with the screwdriver supplied as detailed in Fig. 3. Approximate position to achieve correct discharge volume is shown in Fig. 3.
- 13- Install the urinal and test.
- 14- Install optional cover plate on inwall installation only.



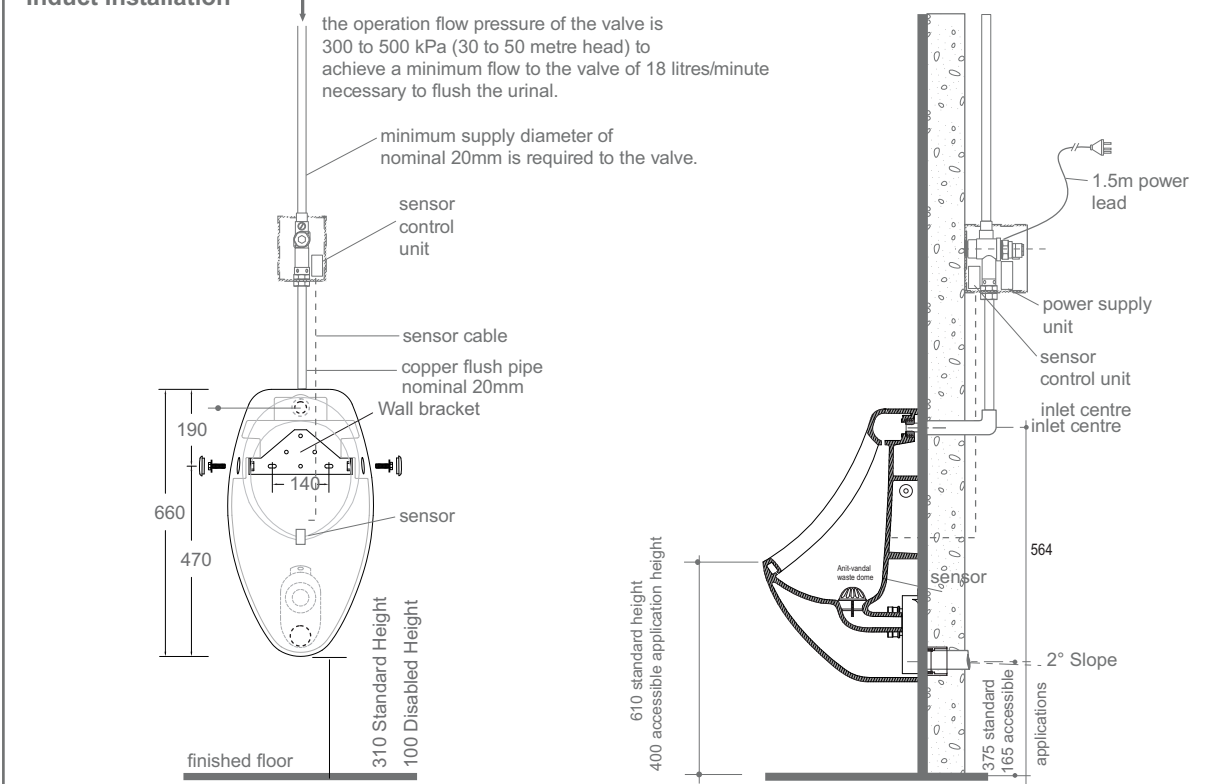
Inwall Installation



All measurements are subject to manufacturing tolerances. To ensure accuracy please check actual product dimensions before drilling for installation. The manufacturer reserves the right to change specifications at any time without giving prior notification. This product should be installed by a licenced plumber in compliance with the Plumbing Code of Australia. Local authority, Water Board, and Building Regulations may apply to the installation of this product, and you should consult the appropriate bodies for these requirements.



Induct Installation



Ceiling Installation

