

BOSTON TYPE C WALL BASIN

Nominal Size 500 x 430mm



0/1 TAPHOLE
NO OVERFLOW

NON-CLINICAL HAND BASIN

TYPE C SMALL/MEDIUM BASIN



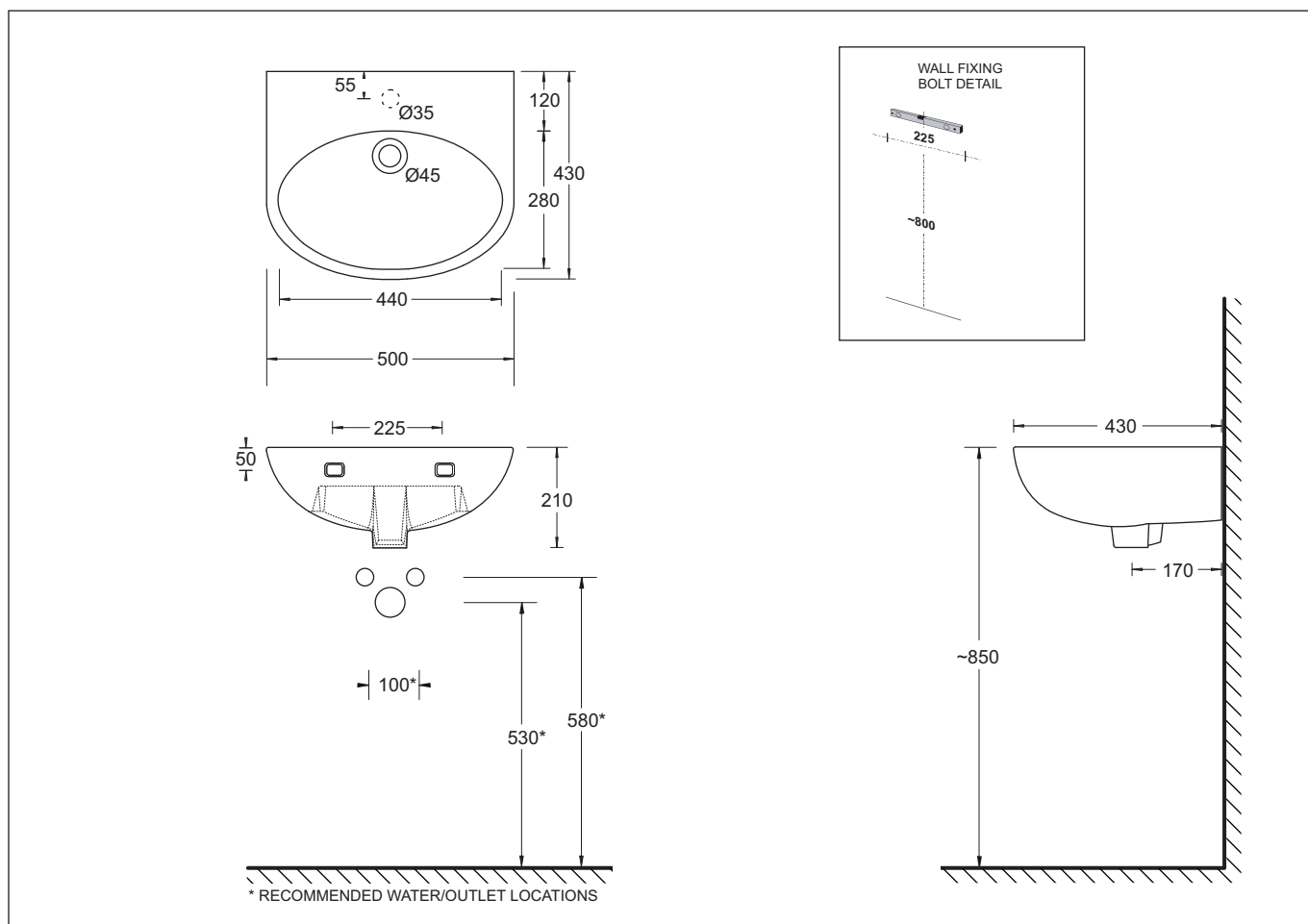
- Type C hand basin - suitable for use in non-clinical areas for general staff hand washing
- No overflow
- Available with 0 or 1 tap hole
- Broad soap platform area
- Secure wall mountings supplied
- 32mm waste outlet
- 500 x 430mm

Provided

| Item | Description | Code |
|--------------|--------------------------------|-------|
| Basin | Type C Non-clinical Hand Basin | J3094 |
| Installation | Rag bolts | X022 |
| Plug & Waste | 32/40mm Overflow-Chrome | PW1 |

Optional

| | | |
|--------|------------------|-------|
| Shroud | Universal Shroud | J3189 |
|--------|------------------|-------|



All dimensions are in millimetres and are subject to normal manufacturing variation of +/- 3mm on all surfaces.
As product development is ongoing BPA reserves the right to vary specifications without notice.
Bathroom Products Australia P/L ABN 87 079 297 617

Tel: 1300 717 717
Fax: 1300 746 480
www.johnsonsuiss.com.au
R1.2